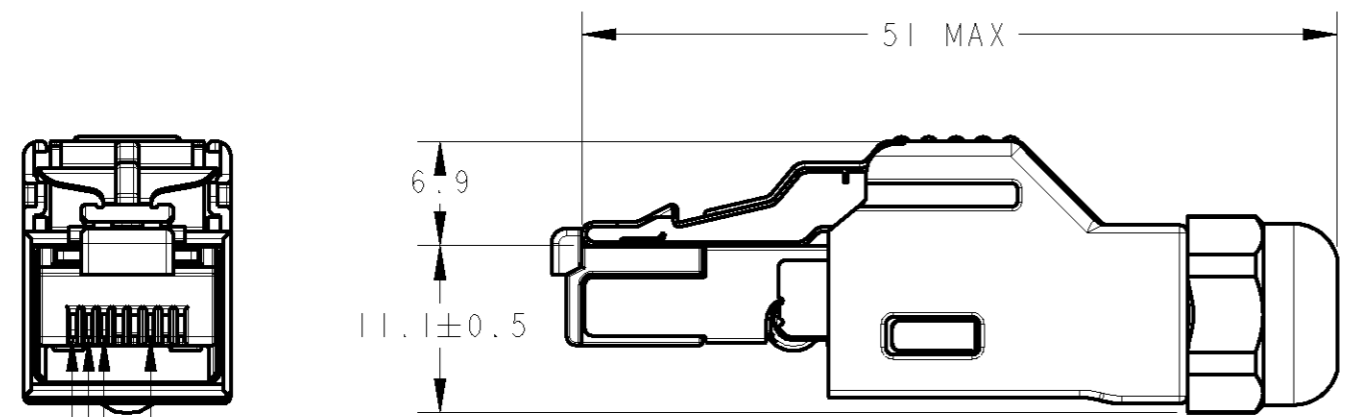


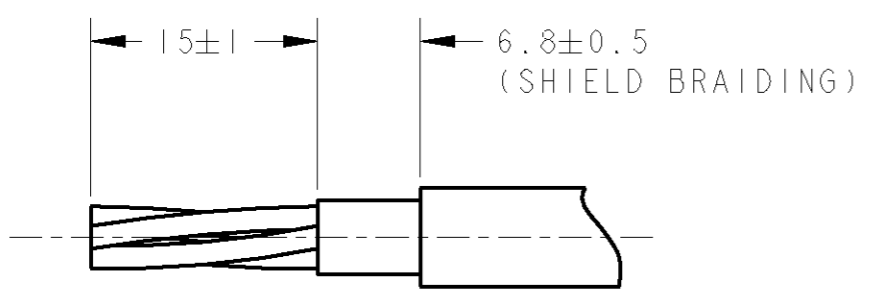
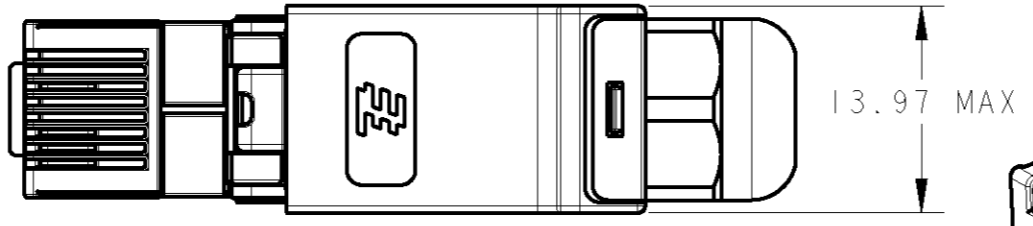
THIS DRAWING IS UNPUBLISHED. RELEASED FOR PUBLICATION 20  
 © COPYRIGHT 20 BY TYCO ELECTRONICS CORPORATION. ALL RIGHTS RESERVED.

LOC	DIST	REVISIONS					
J	-	P	LTR	DESCRIPTION	DATE	DWN	APVD
		A		RELEASED	18AUG2006	J. A	D. M
		B		REVISED	05DEC2008	T. S	A. O

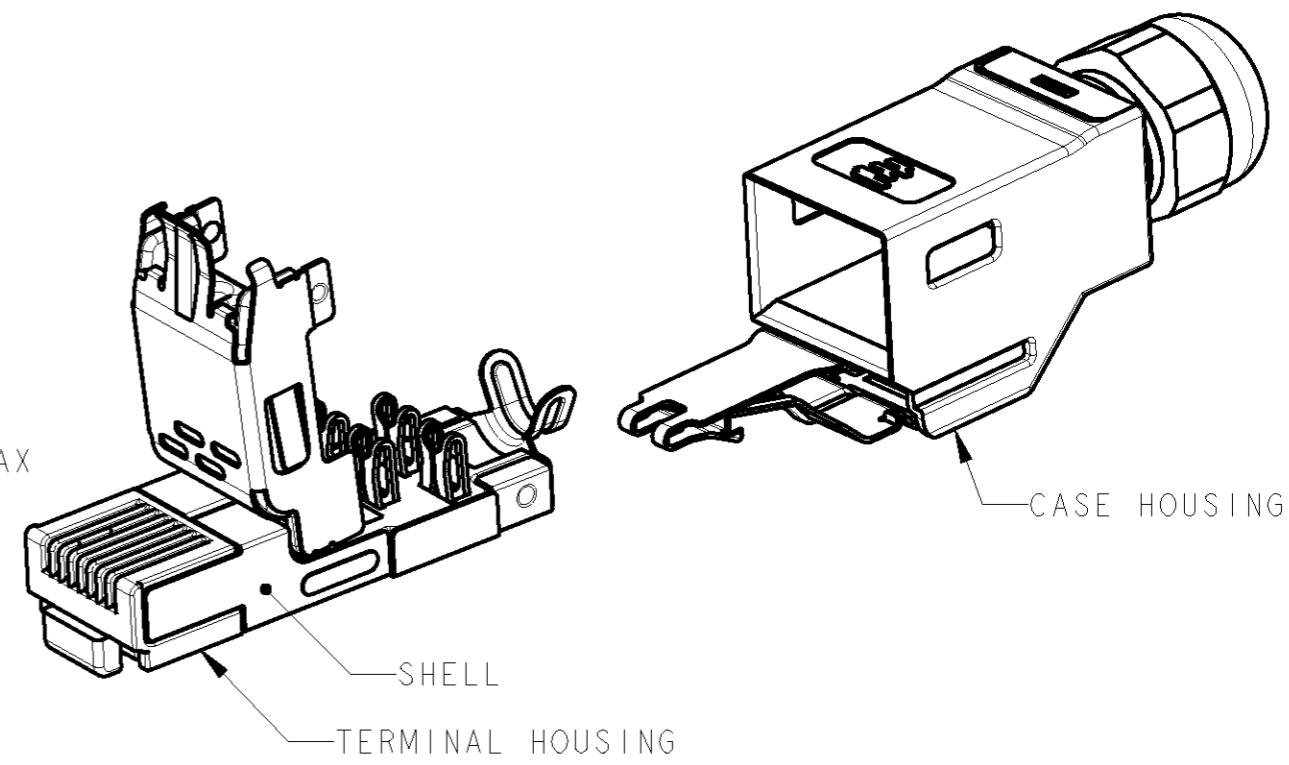
- 1: AS SHOWN



CONTACT 6  
 CONTACT 3  
 CONTACT 2  
 CONTACT 1



RECOMMENDED STRIPPING LENGTH



1. MATERIAL : CASE HOUSING-POLYCARBONATE.  
 TERMINAL HOUSING-NYLON.  
 CONTACT-COPPER ALLOY.  
 SHELL-COPPER ALLOY.  
 2. FINISH : CONTACT-UNDERPLATE: Ni  
 CONTACT AREA: Au  
 SHELL: Ni

COLOR ALLOCATION OF TERMINAL WIRE TO RJ45 CONTACT

CONTACT NO.	WIRE COLOR
1	YELLOW
2	ORANGE
3	WHITE
6	BLUE

THIS DRAWING IS A CONTROLLED DOCUMENT FOR TYCO ELECTRONICS CORPORATION  
 IT IS SUBJECT TO CHANGE AND THE CONTROLLING ENGINEERING ORGANIZATION  
 SHOULD BE CONTACTED FOR THE LATEST REVISION.

DIMENSIONS: 単位: 雉 mm	TOLERANCES UNLESS OTHERWISE SPECIFIED: 一般公差 ± 0.3 0-PLC ± 1-PLC ± 2-PLC ± 3-PLC ± 4-PLC ± ANGLES ±3
MATERIAL 材料	FINISH 仕上

DWN J. AKASAKA 29NOV2005	CHK D. MITSUGI IDEC2005
APVD D. MITSUGI IDEC2005	PRODUCT SPEC 108-78381
APPLICATION SPEC 取付適用規格 114-5402	WEIGHT -
CUSTOMER DRAWING	

WIRE RANGE 挿合電線断面積 -	INSULATION DIA 被覆外径 ∅ 6.5
Tyco Electronics AMP K.K. Kawasaki, Japan	
NAME 名称 RJ 45 CONNECTOR INDUSTRIAL ETHERNET IP20 4POS 180DEG	
SIZE A3	CAGE CODE -
DRAWING NO 番号 C-1903526	RESTRICTED TO -
SCALE 尺度 2:1	SHEET OF 1
REV B	