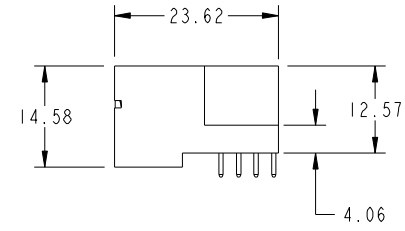
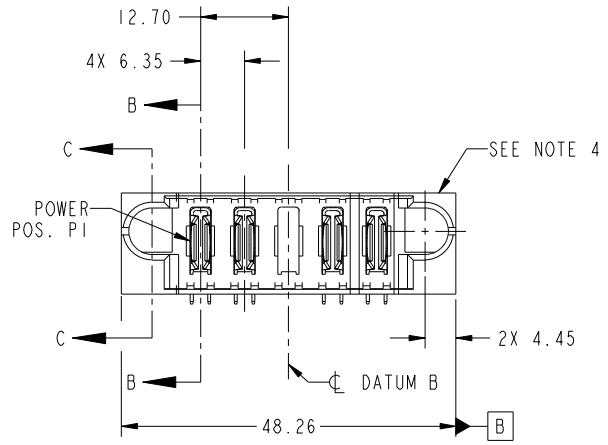


Tous droits strictement reserves. Reproduction ou communication a des tiers interdite sous quelque forme que ce soit sans autorisation écrite du propriétaire. Propriete de c FCI. Droits de reproduction FCI.



All rights strictly reserved. Reproduction or issue to third parties in any form whatever is not permitted without written authority from the proprietor. Property of FCI. Copyright FCI.

PRODUCT NO. 51733-010-- NOTE 3	POWER						E2
	E1	P1	P2	P3	P4	P5	



CODE	DIM "M" MATING LENGTH	CONTACT TYPE
X	OMITTED	OMITTED
PA	[N/A]	POWER

mat'l code		SEE NOTE		tolerances unless otherwise specified		CUSTOMER		FCI	
ltr	ecn no.	dr	date	linear	0.X ±0.5	COPY		www.fciconnect.com	
A	DG10-0102	WD	03/15/10	angles	0.XX ±0.25	projection		title	
					0.XXX ±0.1	MIM		5P RIGHT ANGLE STB HEADER	
				dr	0° ±2°	scale		product family	
				enr	Warren Du 03/11/10	1:1		PwrBlade	
				chr	Warren Du 03/11/10	A		code	
				appd	PM ZHENG 03/11/10	A		213	
					JOSEPH HSIA 03/11/10	A		sheet	
sheet index	revision sheet	A	A	A	A	A		1 of 4	
		1	2	3	4				

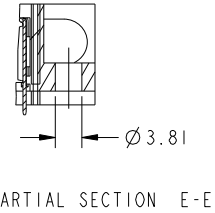
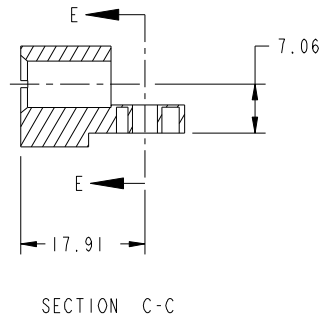
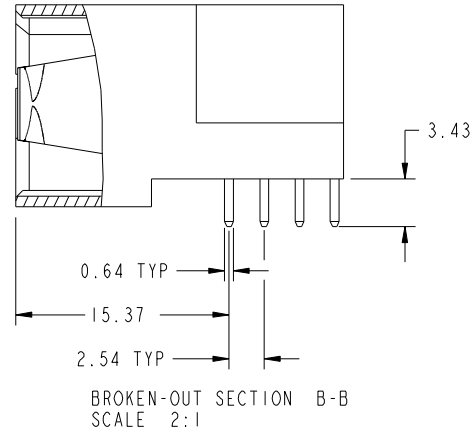
cage code 22526

Tous droits strictement reserves. Reproduction ou communication a des tiers interdite sous quelque forme que ce soit sans autorisation écrite du propriétaire. Propriete de c FCI. Droits de reproduction FCI.

All rights strictly reserved. Reproduction or issue to third parties in any form whatever is not permitted without written authority from the proprietor. Property of FCI. Copyright FCI.



PRODUCT NUMBER  
51733-010--  
NOTE: 3



mat'l code		SEE NOTE		tolerances unless otherwise specified		CUSTOMER		 www.fciconnect.com	
ltr	ecn no.	dr	date	linear	0.X ± 0.5	COPY		title	
A					0.XX ± 0.25	projection		5P	
				angles	0.XXX ± 0.1			RIGHT ANGLE STB HEADER	
				dr	Warren Du 03/11/10			product family PwrBlade code	
				enr	Warren Du 03/11/10	scale		213	
				chr	PM ZHENG 03/11/10	1:1		sheet	
				appd	JOSEPH HSIA 03/11/10	A		2 of 4	
sheet index	revision sheet								

cage code 22526

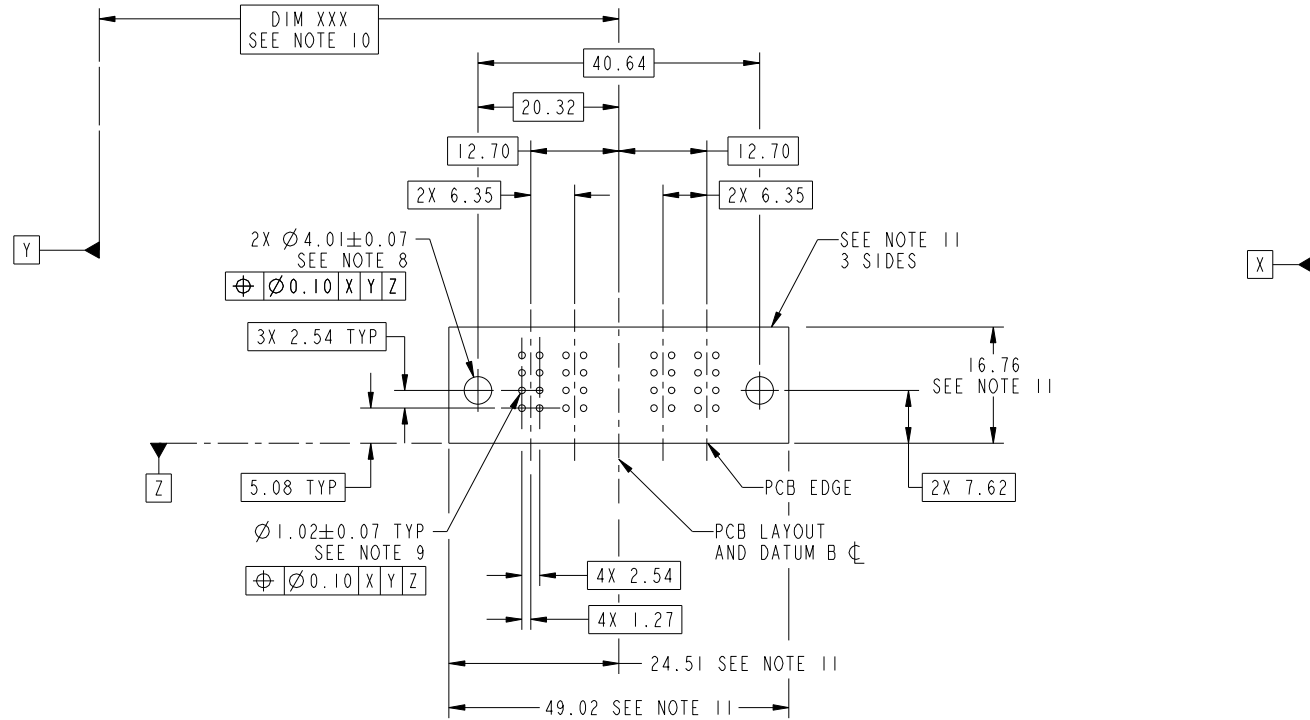
Pro/E

Tous droits strictement reserves. Reproduction ou communication a des tiers interdite sous quelque forme que ce soit sans autorisation écrite du propriétaire. Propriete de c FCI. Droits de reproduction FCI.

All rights strictly reserved. Reproduction or issue to third parties in any form whatever is not permitted without written authority from the proprietor. Property of FCI. Copyright FCI.



PRODUCT NUMBER  
51733-010--  
NOTE: 3



RECOMMENDED PCB LAYOUT

mat'l code		SEE NOTE		tolerances unless otherwise specified		CUSTOMER		FCI	
ltr	ecn no.	dr	date	linear	0.X ±0.5	COPY		www.fciconnect.com	
A				angles	0.XX ±0.25	projection	title		
					0.XXX ±0.1		5P		
				dr	0° ±2°	MIM	product family		code
				enrg	Warren Du 03/11/10	scale	PwrBlade		213
				chr	Warren Du 03/11/10	1:1	size	sheet	
				appd	PM ZHENG 03/11/10		dwg no	3 of 4	
					JOSEPH HSIA 03/11/10		51733-010		
sheet index	revision sheet								

cage code 22526

Pro/E

Tous droits strictement reserves. Reproduction ou communication a des tiers interdite sous quelque forme que ce soit sans autorisation écrite du propriétaire. Propriete de c FCI. Droits de reproduction FCI.



All rights strictly reserved. Reproduction or issue to third parties in any form whatever is not permitted without written authority from the proprietor. Property of FCI. Copyright FCI.

PRODUCT NUMBER  
51733-010--  
NOTE: 3

NOTES:

1. DIMENSIONS AND TOLERANCES ARE IN ACCORDANCE WITH ASME Y14.5M, 1994 UNLESS OTHERWISE SPECIFIED.

CONNECTOR NOTES:

- 2. HOUSING MATERIAL: UL 94 V-0 GLASS FILLED HIGH-TEMP THERMOPLASTIC  
POWER CONTACT MATERIAL: COPPER ALLOY  
SIGNAL PIN MATERIAL: COPPER ALLOY
- 3. SEE ITEM 1 & 2 IN PRINT 10064183 FOR PLATING SPEC OF 51733-010; 51733-010LF PRESPECTIVELY
- 4. MANUFACTURER'S NAME, DATE CODE AND OPTIONAL P/N TO APPEAR ON THIS SURFACE. THE P/N CAN BE OMITTED IF THERE IS NOT ENOUGH SPACE ON THIS SURFACE.
- 5. PRODUCT SPECIFICATION GS-12-149.  
APPLICATION SPECIFICATION BUS-20-067.
- 6. PACKAGED IN TRAYS.

PCB NOTES:

- 7. ALL HOLE DIAMETERS ARE FINISHED HOLE SIZE.
- 8. MOUNTING HOLES, WHERE APPLICABLE, ARE UNPLATED.
- 9.  $\varnothing 1.151 \pm 0.025$  DRILLED HOLES PLATED WITH  
0.008 MIN SnPb OR Sn OVER 0.03  
TO 0.08 Cu PLATING TO ACHIEVE  
 $\varnothing 1.02 \pm .07$  HOLE.
- 10. "DIM XXX" TO BE DETERMINED BY THE CUSTOMER.
- 11. CONNECTOR KEEP-OUT ZONE.

mat'l code		SEE NOTE		tolerances unless otherwise specified		CUSTOMER		FCI	
ltr	ecr no.	dr	date	linear	0.X ± 0.5	COPY		www.fciconnect.com	
A				linear	0.XX ± 0.25	projection		title	
				angles	0.XXX ± 0.1			5P RIGHT ANGLE STB HEADER	
				dr	0° ± 2°	MIM		product family	PwrBlade
				enr	Warren Du 03/11/10		size	PwrBlade	code
				chr	Warren Du 03/11/10		scale	dwg no	213
				appd	PM ZHENG 03/11/10		1:1	51733-010	sheet
					JOSEPH HSIA 03/11/10		A	4 of 4	
sheet index	revision sheet								

cage code 22526

Pro/E