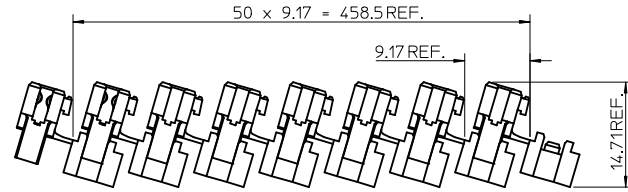
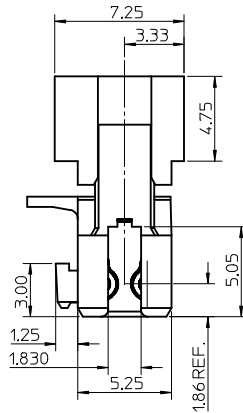
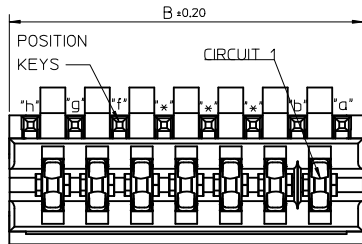
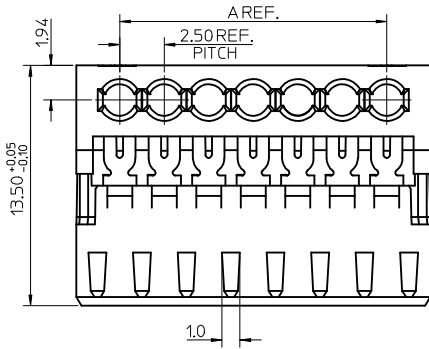
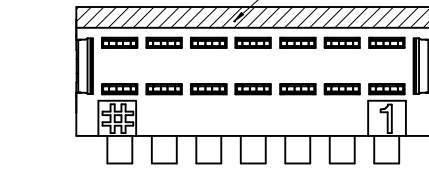


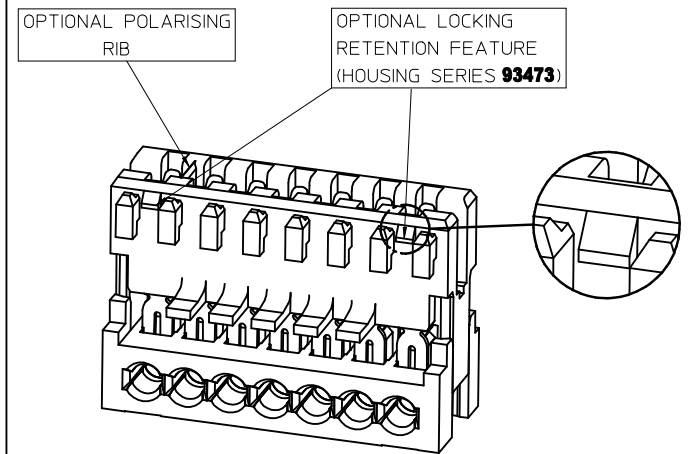
SURFACE FOR COLOUR STRIPE (see note 3)



SHIPPING ARRANGEMENT

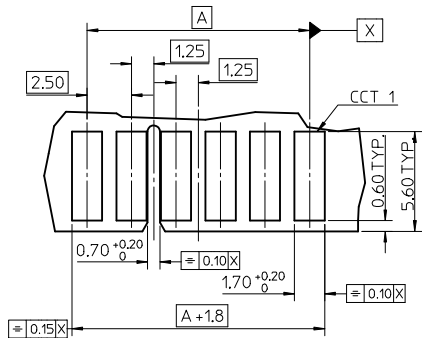
CCT	*A*	*B*
3	5.0	9.875
4	7.5	12.375
5	10.0	14.875
6	12.5	17.375
7	15.0	19.875
8	17.5	22.375
9	20.0	24.875
10	22.5	27.375
11	25.0	29.875
12	27.5	32.375
13	30.0	34.875
14	32.5	37.375
15	35.0	39.875
16	37.5	42.375
17	40.0	44.875
18	42.5	47.375
19	45.0	49.875
20	47.5	52.375

OPTIONAL PART FEATURES



SEE SUBSEQUENT SHEETS FOR RELEVANT PART NUMBERS.
 *LOCKING RETENTION FEATURE AVAILABLE **FIRST** AND **LAST** CIRCUIT ONLY
 SMALLEST CIRCUIT SIZE AVAILABLE WITH LOCKING RETENTION FEATURE IS 5 CKT

- NOTES:
- REFER TO PRODUCT SPECIFICATION: PS-99020-0040.
 - MATERIAL: HOUSING - NYLON PA6
 UL94-V0, COLOUR: NATURAL (WHITE).
 TERMINAL: PHOSPHOR BRONZE 0.30 REF. THICK - PLATING HOT TIN DIP.
 - COLOUR STRIPE IS OPTIONAL. AVAILABLE IN THE FOLLOWING COLOURS: RED, GREEN, BLUE, PURPLE
 (**BOLD** SIGNIFIES CUSTOMER SPECIFIC CONFIGURATION).
 - REFER TO PACKAGING SPEC (PK-90871-001)
 - REFER TO APPLICATION SPEC (AS-99033-0008)



- PCB LAYOUT FOR 6CCT CONNECTOR (WITH OPTIONAL POSITIONAL RIB SLOT BETWEEN CCT 4 & 5)
 - RECOMMENDED PCB THICKNESS 1.5±0.14

DOC. MAINTENANCE EC NO: IPG2016-0963 DRAWN: J MURPHY 2016/01/05 CHKD: APPR: S HANAHAN 2016/01/20 DESCRIPTION REV: BG	QUALITY SYMBOLS ▽=0 ▽=0	GENERAL TOLERANCES (UNLESS SPECIFIED) mm INCH 4 PLACES ± --- ± --- 3 PLACES ± 0.05 ± --- 2 PLACES ± 0.10 ± --- 1 PLACE ± 0.2 ± --- 0 PLACE ± ± ANGULAR ±1/2° DRAFT WHERE APPLICABLE MUST REMAIN WITHIN DIMENSIONS	DIMENSION STYLE MM ONLY DRAWN BY: NMCNAMAR DATE: 2004/02/12 CHECKED BY: J DENNEHY DATE: 2004/02/13 APPROVED BY: BMAGUIRE DATE: 2004/02/16 MATERIAL NO. SEE SHEETS 2-10	SCALE: 5:1 DESIGN UNITS: METRIC THIRD ANGLE PROJECTION TITLE: APPLI-MATE 2.5 FEMALE (MATL: NYLON PA6) DOCUMENT NO.: SD-91716-001 SHEET NO.: 1 OF 10	
	THIS DRAWING CONTAINS INFORMATION THAT IS PROPRIETARY TO MOLEX INCORPORATED AND SHOULD NOT BE USED WITHOUT WRITTEN PERMISSION				
					SHEET NO. 1 OF 10
					SHEET NO. 1 OF 10

3 CIRCUIT								
MOLEX PART NO.	MOLEX HOUSING NO.	TERMINAL VOID POSITION	REMOVED POSITION KEYS	CONFIGURATION (SEE NOTES)	END WALLS		POLARIZING RIB	COLOUR STRIPE
					FIRST	LAST		
91716-0001	91715-0003	NONE	NONE		OPEN	OPEN	NONE	NONE
91716-0002	91715-0003	NONE	a d		OPEN	OPEN	NONE	RED
91716-0013	91715-0003	NONE	a		OPEN	OPEN	NONE	NONE
91716-0014	91715-0003	NONE	b		OPEN	OPEN	NONE	NONE
91716-0015	91715-0003	NONE	c		OPEN	OPEN	NONE	NONE
91716-0016	91715-0003	NONE	d		OPEN	OPEN	NONE	NONE
91716-0017	91715-0003	NONE	b d		OPEN	OPEN	NONE	NONE
91716-0018	91715-0003	NONE	a c		OPEN	OPEN	NONE	NONE
91716-0019	91715-0003	NONE	a d		OPEN	OPEN	NONE	NONE
91716-0020	91715-0003	NONE	a b		OPEN	OPEN	NONE	NONE
91716-0021	91715-0003	NONE	b c		OPEN	OPEN	NONE	NONE
91716-0022	91715-0003	NONE	c d		OPEN	OPEN	NONE	NONE
91716-0023	91715-0003	CKT 2	b d		OPEN	OPEN	NONE	NONE
91716-0024	91715-0003	CKT 3	c		OPEN	OPEN	NONE	BLUE
91716-0034	91715-0103	NONE	NONE		OPEN	OPEN	BETWEEN CKT 1&2	NONE
91716-0041	91715-0203	NONE	NONE		OPEN	OPEN	BETWEEN CKT 2&3	NONE
91716-0042	91715-0003	CKT 1	NONE		OPEN	OPEN	NONE	NONE
91716-0043	91715-0003	CKT 1	c		OPEN	OPEN	NONE	NONE
91716-0044	91715-0003	NONE	b d		OPEN	OPEN	NONE	BLUE
91716-0045	91715-0003	NONE	b		OPEN	OPEN	NONE	BLUE
91716-0046	91715-0003	CKT 1	d		OPEN	OPEN	NONE	NONE
91716-0047	91715-0003	NONE	b d		OPEN	OPEN	NONE	RED
91716-0048	91715-0003	NONE	b c d		OPEN	OPEN	NONE	NONE
91716-0049	91715-0003	NONE	c		OPEN	OPEN	NONE	PURPLE
91716-0050	91715-9903	NONE	NONE		OPEN	NARROW	NONE	NONE

3 CIRCUIT (cont'd)								
MOLEX PART NO.	MOLEX HOUSING NO.	TERMINAL VOID POSITION	REMOVED POSITION KEYS	CONFIGURATION (SEE NOTES)	END WALLS		POLARIZING RIB	COLOUR STRIPE
					FIRST	LAST		
91716-0051	91715-0003	NONE	d		OPEN	OPEN	NONE	BLACK

- NOTES
- 1. + DENOTES TERMINAL VOIDED POSITION
 ● DENOTES TERMINAL LOADED POSITION
 † DENOTES POLARIZING RIB POSITION
 - 2. HOUSING NUMBER FOR MOLEX REFERENCE ONLY

SEE SHEET 1 EC NO: ICG2016-0963 DRWNT: MURPHY 2016/01/05 CHKD: APPR: SHANAHAN 2016/01/20 BG	QUALITY SYMBOLS 	GENERAL TOLERANCES (UNLESS SPECIFIED) <table border="1"> <tr> <th></th> <th>mm</th> <th>INCH</th> </tr> <tr> <td>4 PLACES</td> <td>± 0.25</td> <td>± 0.010</td> </tr> <tr> <td>3 PLACES</td> <td>± 0.05</td> <td>± 0.002</td> </tr> <tr> <td>2 PLACES</td> <td>± 0.10</td> <td>± 0.004</td> </tr> <tr> <td>1 PLACE</td> <td>± 0.2</td> <td>± 0.008</td> </tr> <tr> <td>0 PLACE</td> <td>±</td> <td>±</td> </tr> </table> ANGULAR ±1/2° DRAFT WHERE APPLICABLE MUST REMAIN WITHIN DIMENSIONS		mm	INCH	4 PLACES	± 0.25	± 0.010	3 PLACES	± 0.05	± 0.002	2 PLACES	± 0.10	± 0.004	1 PLACE	± 0.2	± 0.008	0 PLACE	±	±	DIMENSION STYLE MM ONLY DRAWN BY DATE NMCNAMAR 2004/02/12 CHECKED BY DATE JDENNEHY 2004/02/13 APPROVED BY DATE BMAGUIRE 2004/02/16 MATERIAL NO.	SCALE 1:1 DESIGN UNITS METRIC THIRD ANGLE PROJECTION	TITLE APPLI-MATE 2.5 FEMALE (MATL: NYLON PA6)	DOCUMENT NO. SD-91716-001	SHEET NO. 2 OF 10
		mm	INCH																						
4 PLACES	± 0.25	± 0.010																							
3 PLACES	± 0.05	± 0.002																							
2 PLACES	± 0.10	± 0.004																							
1 PLACE	± 0.2	± 0.008																							
0 PLACE	±	±																							
SEE CHARTS THIS DRAWING CONTAINS INFORMATION THAT IS PROPRIETARY TO MOLEX INCORPORATED AND SHOULD NOT BE USED WITHOUT WRITTEN PERMISSION																									

4 CIRCUIT									
MOLEX PART NO.	MOLEX HOUSING NO.	TERMINAL VOID POSITION	REMOVED POSITION KEYS	CONFIGURATION (SEE NOTES)	END WALLS		POLARIZING RIB	COLOUR STRIPE	
					FIRST	LAST			
91716-0501	91715-0004	NONE	NONE		OPEN	OPEN	NONE	NONE	
91716-0502	91715-0004	NONE	d		OPEN	OPEN	NONE	NONE	
91716-0503	91715-0004	NONE	a d		OPEN	OPEN	NONE	NONE	
91716-0504	91715-0004	NONE	c e		OPEN	OPEN	NONE	NONE	
91716-0505	91715-0004	NONE	a		OPEN	OPEN	NONE	NONE	
91716-0506	91715-0204	NONE	NONE		OPEN	OPEN	BETWEEN CKT 2&3	NONE	
91716-0538	91715-0004	NONE	b		OPEN	OPEN	NONE	NONE	
91716-0530	91715-0004	NONE	b c		OPEN	OPEN	NONE	NONE	
91716-0539	91715-0004	NONE	a b		OPEN	OPEN	NONE	NONE	
91716-0540	91715-0004	NONE	d e		OPEN	OPEN	NONE	NONE	
91716-0541	91715-0004	NONE	ALL		OPEN	OPEN	NONE	NONE	
91716-0542	91715-0004	NONE	a b e		OPEN	OPEN	NONE	NONE	
91716-0507	91715-0004	CKT 1	NONE		OPEN	OPEN	NONE	NONE	
91716-0543	91715-0304	NONE	NONE		OPEN	OPEN	BETWEEN CKT 3&4	RED	
91716-0544	91715-0204	NONE	NONE		OPEN	OPEN	BETWEEN CKT 2&3	BLUE	
91716-0545	91715-0004	NONE	d		OPEN	OPEN	NONE	BLUE	
91716-0546	91715-0004	NONE	b		OPEN	OPEN	NONE	RED	
91716-0547	91715-0004	NONE	b c		OPEN	OPEN	NONE	GREEN	
91716-0548	91715-0004	NONE	c d		OPEN	OPEN	NONE	RED	
91716-0549	91715-0004	NONE	a c e		OPEN	OPEN	NONE	NONE	

4 CIRCUIT (cont'd)									
MOLEX PART NO.	MOLEX HOUSING NO.	TERMINAL VOID POSITION	REMOVED POSITION KEYS	CONFIGURATION (SEE NOTES)	END WALLS		POLARIZING RIB	COLOUR STRIPE	
					FIRST	LAST			
91716-0550	91715-0104	NONE	NONE		OPEN	OPEN	BETWEEN CKT 1&2	NONE	
91716-0551	91715-0004	NONE	NONE		OPEN	OPEN	NONE	GREEN	
91716-0552	91715-0004	NONE	b c d		OPEN	OPEN	NONE	NONE	
91716-0553	91715-0004	NONE	b d		OPEN	OPEN	NONE	NONE	
91716-0554	91715-0004	NONE	a b d		OPEN	OPEN	NONE	NONE	
91716-0555	91715-0004	NONE	a c e		OPEN	OPEN	NONE	BLACK	
91716-0556	91715-0004	NONE	a e		OPEN	OPEN	NONE	NONE	
91716-0557	91715-0104	NONE	a b d e		OPEN	OPEN	BETWEEN CKT 1&2	NONE	
91716-0558	91715-0004	NONE	a c		OPEN	OPEN	NONE	NONE	
91716-0559	91715-0004	NONE	b e		OPEN	OPEN	NONE	NONE	

- NOTES
- + DENOTES TERMINAL VOIDED POSITION
 ⊕ DENOTES TERMINAL LOADED POSITION
 | DENOTES POLARIZING RIB POSITION
 - HOUSING NUMBER FOR MOLEX REFERENCE ONLY

SEE SHEET 1 EC NO: IPG2016-0963 DRAWN BY: MURPHY 2016/01/05 CHKD: APPR: SHAMHAN 2016/01/20 BG	QUALITY SYMBOLS	GENERAL TOLERANCES (UNLESS SPECIFIED)	DIMENSION STYLE	SCALE	DESIGN UNITS	THIRD ANGLE PROJECTION																														
	$\nabla=0$ $\nabla=0$	<table border="1"> <tr> <th></th> <th>mm</th> <th>INCH</th> </tr> <tr> <td>4 PLACES</td> <td>± 0.10</td> <td>± ---</td> </tr> <tr> <td>3 PLACES</td> <td>± 0.05</td> <td>± ---</td> </tr> <tr> <td>2 PLACES</td> <td>± 0.10</td> <td>± ---</td> </tr> <tr> <td>1 PLACE</td> <td>± 0.2</td> <td>± ---</td> </tr> <tr> <td>0 PLACE</td> <td>±</td> <td>±</td> </tr> </table>		mm	INCH	4 PLACES	± 0.10	± ---	3 PLACES	± 0.05	± ---	2 PLACES	± 0.10	± ---	1 PLACE	± 0.2	± ---	0 PLACE	±	±	<table border="1"> <tr> <th>DRAWN BY</th> <th>DATE</th> </tr> <tr> <td>NMCNAR</td> <td>2004/02/12</td> </tr> <tr> <th>CHECKED BY</th> <th>DATE</th> </tr> <tr> <td>JDENNEY</td> <td>2004/02/13</td> </tr> <tr> <th>APPROVED BY</th> <th>DATE</th> </tr> <tr> <td>BMAGUIRE</td> <td>2004/02/16</td> </tr> </table>	DRAWN BY	DATE	NMCNAR	2004/02/12	CHECKED BY	DATE	JDENNEY	2004/02/13	APPROVED BY	DATE	BMAGUIRE	2004/02/16	5:1	METRIC	
		mm	INCH																																	
	4 PLACES	± 0.10	± ---																																	
3 PLACES	± 0.05	± ---																																		
2 PLACES	± 0.10	± ---																																		
1 PLACE	± 0.2	± ---																																		
0 PLACE	±	±																																		
DRAWN BY	DATE																																			
NMCNAR	2004/02/12																																			
CHECKED BY	DATE																																			
JDENNEY	2004/02/13																																			
APPROVED BY	DATE																																			
BMAGUIRE	2004/02/16																																			
	ANGULAR ± 1/2°	DRAFT WHERE APPLICABLE MUST REMAIN WITHIN DIMENSIONS	SEE CHARTS	TITLE APPLI-MATE 2.5 FEMALE (MATL: NYLON PA6)																																
				MATERIAL NO. SD-91716-001		SHEET NO. 3 OF 10																														
			THIS DRAWING CONTAINS INFORMATION THAT IS PROPRIETARY TO MOLEX INCORPORATED AND SHOULD NOT BE USED WITHOUT WRITTEN PERMISSION																																	

5 CIRCUIT								
MOLEX PART NO.	MOLEX HOUSING NO.	TERMINAL VOID POSITION	REMOVED POSITION KEYS	CONFIGURATION (SEE NOTES)	END WALLS		POLARIZING RIB	COLOUR STRIPE
					FIRST	LAST		
91716-1001	91715-0005	NONE	NONE		OPEN	OPEN	NONE	NONE
91716-1002	91715-0305	NONE	ALL		OPEN	OPEN	BETWEEN CKT 3&4	NONE
91716-1003	91715-0405	NONE	NONE		OPEN	OPEN	BETWEEN CKT 4&5	NONE
91716-1004	91715-0005	NONE	c d		OPEN	OPEN	NONE	NONE
91716-1005	91715-0005	NONE	a		OPEN	OPEN	NONE	NONE
91716-1006	91715-0005	NONE	b		OPEN	OPEN	NONE	NONE
91716-1007	91715-0005	NONE	a b e f		OPEN	OPEN	NONE	NONE
91716-1008	91715-0205	NONE	NONE		OPEN	OPEN	BETWEEN CKT 2&3	NONE
91716-1009	91715-0005	CKT 2, 3, 4	NONE		OPEN	OPEN	NONE	NONE
91716-1010	91715-0005	CKT 2	c		OPEN	OPEN	NONE	NONE
91716-1011	91715-0005	CKT 2	d		OPEN	OPEN	NONE	NONE
91716-1012	91715-0005	CKT 2	b		OPEN	OPEN	NONE	NONE
91716-1013	91715-0005	CKT 2	a		OPEN	OPEN	NONE	NONE
91716-1014	91715-0005	NONE	b c d e		OPEN	OPEN	NONE	NONE
91716-1015	91715-0305	CKT 2,3,4	NONE		OPEN	OPEN	BETWEEN CKT 3&4	RED
91716-1016	91715-0005	CKT 2	b		OPEN	OPEN	NONE	RED
91716-1017	91715-0005	NONE	d e		OPEN	OPEN	NONE	NONE
91716-1018	91715-0005	NONE	a d f		OPEN	OPEN	NONE	NONE
91716-1019	91715-0105	NONE	NONE		OPEN	OPEN	BETWEEN CKT 1&2	NONE
91716-1020	91715-0005	CKT 2, 3, 4	b		OPEN	OPEN	NONE	NONE
91716-1021	91715-0005	NONE	d		OPEN	OPEN	NONE	NONE
91716-1022	91715-0005	NONE	b f		OPEN	OPEN	NONE	RED
91716-1023	91715-0005	CKT 2, 3, 4	c e		OPEN	OPEN	NONE	NONE
91716-1024	91715-0205	NONE	a b e f		OPEN	OPEN	BETWEEN CKT 2&3	NONE
91716-1025	91715-0005	CKT 2, 3, 4	c f		OPEN	OPEN	NONE	NONE

5 CIRCUIT								
MOLEX PART NO.	MOLEX HOUSING NO.	TERMINAL VOID POSITION	REMOVED POSITION KEYS	CONFIGURATION (SEE NOTES)	END WALLS		POLARIZING RIB	COLOUR STRIPE
					FIRST	LAST		
91716-1026	93473-0205	NONE	ALL		OPEN	OPEN	BETWEEN CKT 2&3	LOCKING RETENTION FEATURE
91716-1027	91715-0205	NONE	ALL		OPEN	OPEN	BETWEEN CKT 2&3	NONE
91716-1028	93473-0005	NONE	NONE		OPEN	OPEN	NONE	LOCKING RETENTION FEATURE

- NOTES
- + DENOTES TERMINAL VOIDED POSITION
● DENOTES TERMINAL LOADED POSITION
| DENOTES POLARIZING RIB POSITION
 - HOUSING NUMBER FOR MOLEX REFERENCE ONLY

SEE SHEET 1 EC NO: IPG2016-0963 DRWNT: MURPHY 2016/01/05 CHKD: APPR: SHAMHAN 2016/01/20 BG	QUALITY SYMBOLS = 0 = 0	GENERAL TOLERANCES (UNLESS SPECIFIED) <table border="1"> <tr> <td></td> <td>mm</td> <td>INCH</td> </tr> <tr> <td>4 PLACES</td> <td>± 0.10</td> <td>± 0.004</td> </tr> <tr> <td>3 PLACES</td> <td>± 0.05</td> <td>± 0.002</td> </tr> <tr> <td>2 PLACES</td> <td>± 0.10</td> <td>± 0.004</td> </tr> <tr> <td>1 PLACE</td> <td>± 0.2</td> <td>± 0.008</td> </tr> <tr> <td>0 PLACE</td> <td>±</td> <td>±</td> </tr> </table>		mm	INCH	4 PLACES	± 0.10	± 0.004	3 PLACES	± 0.05	± 0.002	2 PLACES	± 0.10	± 0.004	1 PLACE	± 0.2	± 0.008	0 PLACE	±	±	DIMENSION STYLE MM ONLY	SCALE 5:1	DESIGN UNITS METRIC	THIRD ANGLE PROJECTION
		mm	INCH																					
	4 PLACES	± 0.10	± 0.004																					
	3 PLACES	± 0.05	± 0.002																					
2 PLACES	± 0.10	± 0.004																						
1 PLACE	± 0.2	± 0.008																						
0 PLACE	±	±																						
DRAWN BY: NMCNAR CHECKED BY: JDENNEHY APPROVED BY: BMAGUIRE DATE: 2004/02/12 DATE: 2004/02/13 DATE: 2004/02/16		TITLE APPLI-MATE 2.5 FEMALE (MATL: NYLON PA6)		MATERIAL NO. SD-91716-001		SHEET NO. 4 OF 10																		
DRAFT WHERE APPLICABLE MUST REMAIN WITHIN DIMENSIONS						SEE CHARTS	DOCUMENT NO. SD-91716-001																	
THIS DRAWING CONTAINS INFORMATION THAT IS PROPRIETARY TO MOLEX INCORPORATED AND SHOULD NOT BE USED WITHOUT WRITTEN PERMISSION																								

6 CIRCUIT								
MOLEX PART NO.	MOLEX HOUSING NO.	TERMINAL VOID POSITION	REMOVED POSITION KEYS	CONFIGURATION (SEE NOTES)	END WALLS		POLARIZING RIB	COLOUR STRIPE
					FIRST	LAST		
91716-1501	91715-0006	NONE	NONE		OPEN	OPEN	NONE	NONE
91716-1502	91715-0306	NONE	ALL		OPEN	OPEN	BETWEEN CKT 3&4	NONE
91716-1503	91715-0006	NONE	c e f g		OPEN	OPEN	NONE	NONE
91716-1504	91715-0206	NONE	ALL		OPEN	OPEN	BETWEEN CKT 2&3	NONE
91716-1505	91715-0006	CKT 2, 5	d f		OPEN	OPEN	NONE	NONE
91716-1506	91715-0006	NONE	a b f g		OPEN	OPEN	NONE	NONE
91716-1507	91715-0006	NONE	e f		OPEN	OPEN	NONE	NONE
91716-1509	91715-0006	NONE	g		OPEN	OPEN	NONE	NONE
91716-1510	91715-0006	CKT 2	c f		OPEN	OPEN	NONE	NONE
91716-1511	91715-0006	CKT 2, 5	NONE		OPEN	OPEN	NONE	NONE
91716-1512	91715-0006	CKT 3, 5	NONE		OPEN	OPEN	NONE	NONE
91716-1513	91715-0006	CKT 2, 4	b d e f		OPEN	OPEN	NONE	NONE
91716-1514	91715-0106	CKT 3, 5	NONE		OPEN	OPEN	BETWEEN CKT 1&2	NONE
91716-1515	91715-0206	CKT 2, 5	NONE		OPEN	OPEN	BETWEEN CKT 2&3	NONE
91716-1516	91715-0306	NONE	c f		OPEN	OPEN	BETWEEN CKT 3&4	NONE
91716-1517	91715-0006	NONE	c e		OPEN	OPEN	NONE	NONE
91716-1518	91715-0006	CKT 2, 4	NONE		OPEN	OPEN	NONE	NONE
91716-1519	91715-0006	NONE	a c e		OPEN	OPEN	NONE	NONE
91716-1520	91715-0006	CKT 5	c e		OPEN	OPEN	NONE	NONE
91716-1521	91715-0006	CKT 2, 4, 5, 6	c e		OPEN	OPEN	NONE	NONE
91716-1522	91715-0006	CKT 2, 6	c e		OPEN	OPEN	NONE	NONE

6 CIRCUIT (cont'd)								
MOLEX PART NO.	MOLEX HOUSING NO.	TERMINAL VOID POSITION	REMOVED POSITION KEYS	CONFIGURATION (SEE NOTES)	END WALLS		POLARIZING RIB	COLOUR STRIPE
					FIRST	LAST		
91716-1523	91715-0406	NONE	NONE		OPEN	OPEN	BETWEEN CKT 4&5	NONE
91716-1524	91715-0006	CKT 2, 4, 5, 6	NONE		OPEN	OPEN	NONE	NONE
91716-1525	91715-0006	CKT 2, 6	NONE		OPEN	OPEN	NONE	NONE
91716-1526	91715-0006	CKT 2, 5	NONE		OPEN	OPEN	NONE	NONE
91716-1527	91715-0006	CKT 2, 5	c e		OPEN	OPEN	NONE	NONE
91716-1528	91715-0006	CKT 2, 5	a b d f g		OPEN	OPEN	NONE	GREEN
91716-1529	91715-0006	NONE	d		OPEN	OPEN	NONE	NONE
91716-1531	91715-0006	CKT 1, 2, 3, 5	NONE		OPEN	OPEN	NONE	NONE
91716-1532	91715-0006	CKT 1, 2, 3, 5	d f		OPEN	OPEN	NONE	NONE
91716-1534	91715-0006	CKT 3, 4	b d f		OPEN	OPEN	NONE	NONE
91716-1535	91715-0006	CKT 4, 5	b d f		OPEN	OPEN	NONE	NONE
91716-1536	91715-0206	NONE	NONE		OPEN	OPEN	BETWEEN CKT 2&3	NONE
91716-1537	91715-0006	NONE	d		OPEN	OPEN	NONE	BLUE
91716-1538	91715-0006	CKT 2, 5	b d		OPEN	OPEN	NONE	NONE
91716-1539	91715-0006	CKT 5, 6	c f		OPEN	OPEN	NONE	NONE
91716-1540	91715-0006	CKT 2, 4	d e		OPEN	OPEN	NONE	GREEN
91716-1541	91715-0006	NONE	a f g		OPEN	OPEN	NONE	NONE
91716-1542	91715-0006	NONE	NONE		OPEN	OPEN	NONE	RED
91716-1543	91715-0506	NONE	NONE		OPEN	OPEN	BETWEEN 5&6	NONE
91716-1544	91715-0006	NONE	c e g		OPEN	OPEN	NONE	RED
91716-1545	91715-0006	NONE	d f		OPEN	OPEN	NONE	BLACK

- NOTES
- + DENOTES TERMINAL VOIDED POSITION
 ○ DENOTES TERMINAL LOADED POSITION
 | DENOTES POLARIZING RIB POSITION
 - HOUSING NUMBER FOR MOLEX REFERENCE ONLY

SEE SHEET 1 IEC NO: IP2016-0963 DRAWN BY: MURPHY CHKD: APPROVED BY: MURPHY DATE: 2016/01/20	QUALITY SYMBOLS ▽=0 ▽=0	GENERAL TOLERANCES (UNLESS SPECIFIED) mm INCH 4 PLACES ±.--- ±.--- 3 PLACES ±0.05 ±.--- 2 PLACES ±0.10 ±.--- 1 PLACE ±0.2 ±.--- 0 PLACE ± ±.---	DIMENSION STYLE MM ONLY	SCALE 1:1	DESIGN UNITS METRIC	THIRD ANGLE PROJECTION	
	DRAWN BY: NMCNAMAR DATE: 2004/02/12	CHECKED BY: JDENNEHY DATE: 2004/02/13	APPROVED BY: BMAGUIRE DATE: 2004/02/16	MATERIAL NO.	DOCUMENT NO.	SHEET NO.	TITLE APPLI-MATE 2.5 FEMALE (MATL: NYLON PA6)
	ANGULAR ±1/2°	DRAFT WHERE APPLICABLE MUST REMAIN WITHIN DIMENSIONS	SEE CHARTS	SD-91716-001	5 OF 10	molex	INCORPORATED AND SHOULD NOT BE USED WITHOUT WRITTEN PERMISSION
	THIS DRAWING CONTAINS INFORMATION THAT IS PROPRIETARY TO MOLEX						

6 CIRCUIT (cont'd)

MOLEX PART NO.	MOLEX HOUSING NO.	TERMINAL VOID POSITION	REMOVED POSITION KEYS	CONFIGURATION (SEE NOTES)	END WALLS		POLARIZING RIB	COLOUR STRIPE
					FIRST	LAST		
91716-1546	91715-0006	NONE	a d		OPEN	OPEN	NONE	NONE
91716-1547	91715-0006	NONE	b e f		OPEN	OPEN	NONE	NONE
91716-1548	91715-0006	NONE	c d e		OPEN	OPEN	NONE	NONE
91716-1549	91715-0406	NONE	NONE		OPEN	OPEN	BETWEEN CKT 4&5	NONE
91716-1550	91715-0006	NONE	b d f		OPEN	OPEN	NONE	NONE
91716-1551	91715-0006	NONE	a c e g		OPEN	OPEN	NONE	NONE
91716-1552	91715-0006	NONE	a b d f		OPEN	OPEN	NONE	NONE
91716-1553	91715-0006	CCT 2, 5	c d		OPEN	OPEN	NONE	BLACK
91716-1554	91715-0006	CCT 2, 4	b		OPEN	OPEN	NONE	RED
91716-1555	91715-0006	NONE	c f		OPEN	OPEN	NONE	NONE
91716-1556	91715-0006	NONE	b d e g		OPEN	OPEN	NONE	NONE
91716-1557	91715-0006	CCT 2&4	b g		OPEN	OPEN	NONE	RED
91716-1558	91715-0006	NONE	d f		OPEN	OPEN	NONE	NONE
91716-1559	91715-0006	CCT 1	NONE		OPEN	OPEN	NONE	NONE
91716-1560	91715-0006	NONE	a c e f g		OPEN	OPEN	NONE	NONE
91716-1561	91715-0006	NONE	a d g		OPEN	OPEN	NONE	NONE
91716-1562	91715-0006	NONE	a c d e f g		OPEN	OPEN	NONE	NONE
91716-1563	91715-0006	CCT 5	a c d e f g		OPEN	OPEN	NONE	NONE
91716-1564	91715-0006	CCT 6	a c d e f g		OPEN	OPEN	NONE	NONE

6 CIRCUIT (cont'd)

MOLEX PART NO.	MOLEX HOUSING NO.	TERMINAL VOID POSITION	REMOVED POSITION KEYS	CONFIGURATION (SEE NOTES)	END WALLS		POLARIZING RIB	COLOUR STRIPE	
					FIRST	LAST			
91716-1565	91715-0006	CCT 5	NONE		OPEN	OPEN	NONE	NONE	
91716-1566	93473-0006	NONE	NONE		OPEN	OPEN	NONE	NONE	LOCKING RETENTION FEATURE
91716-1567	93473-0006	NONE	d f		OPEN	OPEN	NONE	NONE	LOCKING RETENTION FEATURE
91716-1568	93473-0006	CCT 1	NONE		OPEN	OPEN	NONE	NONE	LOCKING RETENTION FEATURE
91716-1569	93473-0006	NONE	a c d e f g		OPEN	OPEN	NONE	NONE	LOCKING RETENTION FEATURE
91716-1570	93473-0006	CCT 5	a c d e f g		OPEN	OPEN	NONE	NONE	LOCKING RETENTION FEATURE
91716-1571	93473-0006	CCT 5	NONE		OPEN	OPEN	NONE	NONE	LOCKING RETENTION FEATURE
91716-1572	93473-0006	NONE	d		OPEN	OPEN	NONE	PURPLE	LOCKING RETENTION FEATURE
91716-1573	91715-0006	CCT 2, 5	c e g		OPEN	OPEN	NONE	RED	

- NOTES
- + DENOTES TERMINAL VOIDED POSITION
 ● DENOTES TERMINAL LOADED POSITION
 | DENOTES POLARIZING RIB POSITION
 - HOUSING NUMBER FOR MOLEX REFERENCE ONLY

SEE SHEET 1 DEC NO: P02076-0963 DRAWN BY: MURPHY CHKD: SHAMIAN APPR: SHAMIAN 2016/01/20	QUALITY SYMBOLS	GENERAL TOLERANCES (UNLESS SPECIFIED)	DIMENSION STYLE	SCALE	DESIGN UNITS	THIRD ANGLE PROJECTION
	▽=0	mm INCH	MM ONLY	1:1	METRIC	
	▽=0	4 PLACES ± --- ± ---	DRAWN BY DATE	TITLE		
		3 PLACES ± 0.05 ± ---	NMCNAMAR 2004/02/12	APPLI-MATE 2.5 FEMALE (MATL: NYLON PA6)		
	2 PLACES ± 0.10 ± ---	CHECKED BY DATE	DOCUMENT NO.			
	1 PLACE ± 0.2 ± ---	JDENNEHY 2004/02/13	SD-91716-001			
	0 PLACE ± ±	APPROVED BY DATE	SHEET NO.			
	ANGULAR ±1/2°	BMAGUIRE 2004/02/16	6 OF 10			
	DRAFT WHERE APPLICABLE MUST REMAIN WITHIN DIMENSIONS	MATERIAL NO.	SEE CHARTS			
			THIS DRAWING CONTAINS INFORMATION THAT IS PROPRIETARY TO MOLEX INCORPORATED AND SHOULD NOT BE USED WITHOUT WRITTEN PERMISSION			

7 CIRCUIT								
MOLEX PART NO.	MOLEX HOUSING NO.	TERMINAL VOID POSITION	REMOVED POSITION KEYS	CONFIGURATION (SEE NOTES)	END WALLS		POLARIZING RIB	COLOUR STRIPE
					FIRST	LAST		
91716-2001	91715-0007	NONE	NONE	nnnnnnnn +-----+ 1 2 3 4 5 6 7	OPEN	OPEN	NONE	NONE
91716-2002	91715-0207	NONE	ALL	abcdefgh +-----+ 1 2 3 4 5 6 7	OPEN	OPEN	BETWEEN CKT 2&3	NONE
91716-2004	91715-0007	NONE	a	nnnnnnnn +-----+ 1 2 3 4 5 6 7	OPEN	OPEN	NONE	NONE
91716-2005	91715-0007	CKT 2	h	nnnnnnnh +-----+ 1 2 3 4 5 6 7	OPEN	OPEN	NONE	NONE
91716-2006	91715-0007	CKT 4	a	nnnnnnnn +-----+ 1 2 3 4 5 6 7	OPEN	OPEN	NONE	NONE
91716-2007	91715-0007	CKT 2	NONE	nnnnnnnn +-----+ 1 2 3 4 5 6 7	OPEN	OPEN	NONE	NONE
91716-2008	91715-0007	CKT 6	NONE	nnnnnnnn +-----+ 1 2 3 4 5 6 7	OPEN	OPEN	NONE	NONE
91716-2009	91715-0007	CKT 2	b c e g	nnccnngn +-----+ 1 2 3 4 5 6 7	OPEN	OPEN	NONE	BLUE
91716-2010	91715-0007	CKT 4, 6	b d f	nnbndnng +-----+ 1 2 3 4 5 6 7	OPEN	OPEN	NONE	RED
91716-2011	91715-0007	CKT 4, 6	b d f	nnbndnng +-----+ 1 2 3 4 5 6 7	OPEN	OPEN	NONE	BLUE
91716-2012	91715-0007	CKT 2	NONE	nnnnnnnn +-----+ 1 2 3 4 5 6 7	OPEN	OPEN	NONE	BLUE
91716-2013	91715-0007	CKT 2	b d e f h	nnbndfnh +-----+ 1 2 3 4 5 6 7	OPEN	OPEN	NONE	BLUE
91716-2014	91715-0007	CKT 4, 6	NONE	nnnnnnnn +-----+ 1 2 3 4 5 6 7	OPEN	OPEN	NONE	BLUE
91716-2015	91715-0007	CKT 4, 6	c d e f h	nnncdefh +-----+ 1 2 3 4 5 6 7	OPEN	OPEN	NONE	BLUE
91716-2016	91715-0007	CKT 6	c d e f h	nnncdefh +-----+ 1 2 3 4 5 6 7	OPEN	OPEN	NONE	BLUE
91716-2017	91715-0007	CKT 6	c d e f	nnncdefn +-----+ 1 2 3 4 5 6 7	OPEN	OPEN	NONE	BLUE
91716-2018	91715-0007	CKT 6	NONE	nnnnnnnn +-----+ 1 2 3 4 5 6 7	OPEN	OPEN	NONE	BLUE
91716-2019	91715-0007	CKT 2	NONE	nnnnnnnn +-----+ 1 2 3 4 5 6 7	OPEN	OPEN	NONE	BLACK
91716-2020	91715-0007	NONE	a c e f h	anncnfnh +-----+ 1 2 3 4 5 6 7	OPEN	OPEN	NONE	NONE
91716-2021	91715-0007	NONE	a	nnnnnnnn +-----+ 1 2 3 4 5 6 7	OPEN	OPEN	NONE	BLACK
91716-2022	91715-0007	NONE	b c d f	nnbcdnng +-----+ 1 2 3 4 5 6 7	OPEN	OPEN	NONE	NONE
91716-2023	91715-0007	NONE	a d	nnnndnng +-----+ 1 2 3 4 5 6 7	OPEN	OPEN	NONE	NONE
91716-2024	91715-0007	NONE	a b e f	abnnfnng +-----+ 1 2 3 4 5 6 7	OPEN	OPEN	NONE	NONE
91716-2025	91715-0507	NONE	NONE	nnnnnnnn +-----+ 1 2 3 4 5 6 7	OPEN	OPEN	BETWEEN CKT 5&6	NONE
91716-2026	91715-0007	NONE	ALL	abcdefgh +-----+ 1 2 3 4 5 6 7	OPEN	OPEN	NONE	NONE
91716-2027	91715-0007	CKT 6	a c d e f	anncdfnng +-----+ 1 2 3 4 5 6 7	OPEN	OPEN	NONE	BLUE

7 CIRCUIT (cont'd)								
MOLEX PART NO.	MOLEX HOUSING NO.	TERMINAL VOID POSITION	REMOVED POSITION KEYS	CONFIGURATION (SEE NOTES)	END WALLS		POLARIZING RIB	COLOUR STRIPE
					FIRST	LAST		
91716-2028	91715-0007	CCT 1,2,3,4,6	a c f	anccfnng +-----+ 1 2 3 4 5 6 7	OPEN	OPEN	NONE	NONE
91716-2029	91715-0007	CCT 4	a	nnnnnnnn +-----+ 1 2 3 4 5 6 7	OPEN	OPEN	NONE	RED
91716-2030	93473-0307	NONE	ALL	abcdefgh +-----+ 1 2 3 4 5 6 7	OPEN	OPEN	BETWEEN CKT 3&4	NONE
91716-2031	91715-0307	NONE	ALL	abcdefgh +-----+ 1 2 3 4 5 6 7	OPEN	OPEN	BETWEEN CKT 3&4	NONE
91716-2032	93473-0007	NONE	NONE	nnnnnnnn +-----+ 1 2 3 4 5 6 7	OPEN	OPEN	NONE	NONE
91716-2033	91715-0627	NONE	NONE	nnnnnnnn +-----+ 1 2 3 4 5 6 7	CLOSED	CLOSED	BETWEEN CKT 6&7	NONE

LOCKING RETENTION FEATURE

LOCKING RETENTION FEATURE

- NOTES
- + DENOTES TERMINAL VOIDED POSITION
 ● DENOTES TERMINAL LOADED POSITION
 ▽ DENOTES POLARIZING RIB POSITION
 - HOUSING NUMBER FOR MOLEX REFERENCE ONLY

SEE SHEET 1 SEC NO: IPG2016-0963 DRAWN: J MURPHY 2016/01/05 CHKD: APPR: SHAMAHAN 2016/01/20 BG	QUALITY SYMBOLS	GENERAL TOLERANCES (UNLESS SPECIFIED)	DIMENSION STYLE	SCALE	DESIGN UNITS	THIRD ANGLE PROJECTION
	▽=0	4 PLACES ± --- ± ---	MM ONLY	1:1	METRIC	
	▽=0	3 PLACES ± 0.05 ± ---				
		2 PLACES ± 0.10 ± ---				
		1 PLACE ± 0.2 ± ---				
		0 PLACE ± ±				
		ANGULAR ±1/2°				
		DRAFT WHERE APPLICABLE MUST REMAIN WITHIN DIMENSIONS	SEE CHARTS			
			MATERIAL NO.	DOCUMENT NO.		SHEET NO.
				SD-91716-001		7 OF 10
			THIS DRAWING CONTAINS INFORMATION THAT IS PROPRIETARY TO MOLEX INCORPORATED AND SHOULD NOT BE USED WITHOUT WRITTEN PERMISSION			

8 CIRCUIT

MOLEX PART NO.	MOLEX HOUSING NO.	TERMINAL VOID POSITION	REMOVED POSITION KEYS	CONFIGURATION (SEE NOTES)	END WALLS		POLARIZING RIB	COLOUR STRIPE
					FIRST	LAST		
91716-2501	91715-0008	NONE	NONE		OPEN	OPEN	NONE	NONE
91716-2502	91715-0308	NONE	NONE		OPEN	OPEN	BETWEEN CKT 3&4	NONE
91716-2503	91715-0008	NONE	c f h i		OPEN	OPEN	NONE	NONE
91716-2504	91715-0008	NONE	b c d h i		OPEN	OPEN	NONE	NONE
91716-2505	91715-0008	NONE	b c g h		OPEN	OPEN	NONE	BLUE
91716-2506	91715-0008	NONE	c f		OPEN	OPEN	NONE	NONE
91716-2507	91715-0008	NONE	c f h i		OPEN	OPEN	NONE	BLUE
91716-2508	91715-0008	NONE	NONE		OPEN	OPEN	NONE	BLUE
91716-2509	91715-0008	NONE	a c d e g i		OPEN	OPEN	NONE	BLUE
91716-2510	91715-0008	NONE	c d e f		OPEN	OPEN	NONE	BLUE
91716-2511	91715-0008	NONE	NONE		OPEN	OPEN	NONE	BLACK
91716-2512	91715-0008	NONE	c f h i		OPEN	OPEN	NONE	BLACK
91716-2513	91715-0008	NONE	c d g h		OPEN	OPEN	NONE	NONE
91716-2514	91715-0008	NONE	a c d e f g h i		OPEN	OPEN	NONE	BLUE
91716-2515	91715-0008	NONE	a b d f h i		OPEN	OPEN	NONE	NONE
91716-2516	91715-0008	NONE	b c d h i		OPEN	OPEN	NONE	BLUE
91716-2517	91715-2008	NONE	NONE		OPEN	OPEN	BETWEEN CKT 1&2 + CKT 7&8	NONE
91716-2518	91715-0008	NONE	b c d f h i		OPEN	OPEN	NONE	NONE
91716-2519	91715-0008	NONE	a c e f h i		OPEN	OPEN	NONE	NONE
91716-2520	91715-0008	NONE	ALL		OPEN	OPEN	NONE	NONE
91716-2521	91715-0008	CKT 7, 8	a b d f h i		OPEN	OPEN	NONE	NONE
91716-2522	91715-0008	NONE	b c d f h i		OPEN	OPEN	NONE	BLUE

NOTES

- + DENOTES TERMINAL LOADED POSITION
 ● DENOTES TERMINAL LOADED POSITION
 † DENOTES POLARIZING RIB POSITION
- HOUSING NUMBER FOR MOLEX REFERENCE ONLY

SEE SHEET 1 EC NO: IPG2076-0963 DRAWN: MURPHY 2016/01/05 CHKD: APPR: SHAMHAN 2016/01/20 BG	QUALITY SYMBOLS	▽=0 ▽=0	GENERAL TOLERANCES (UNLESS SPECIFIED)	mm INCH 4 PLACES ± --- ± --- 3 PLACES ± 0.05 ± --- 2 PLACES ± 0.10 ± --- 1 PLACE ± 0.2 ± --- 0 PLACE ± ±	DIMENSION STYLE	MM ONLY	SCALE	1:1	DESIGN UNITS	METRIC	THIRD ANGLE PROJECTION
	DRAWN BY DATE			MNCAMAR 2004/02/12			TITLE			APPLI-MATE 2.5 FEMALE (MATL: NYLON PA6)	
	CHECKED BY DATE			J DENNEHY 2004/02/13			APPROVED BY DATE			BMAGUIRE 2004/02/16	
	MATERIAL NO.			SEE CHARTS			DOCUMENT NO.			SD-91716-001	
DRAFT WHERE APPLICABLE MUST REMAIN WITHIN DIMENSIONS			ANGULAR ±1/2°			SIZE			THIS DRAWING CONTAINS INFORMATION THAT IS PROPRIETARY TO MOLEX INCORPORATED AND SHOULD NOT BE USED WITHOUT WRITTEN PERMISSION		
						SHEET NO.			8 OF 10		

8 CIRCUIT (cont'd)

MOLEX PART NO.	MOLEX HOUSING NO.	TERMINAL VOID POSITION	REMOVED POSITION KEYS	CONFIGURATION (SEE NOTES)	END WALLS		POLARIZING RIB	COLOUR STRIPE
					FIRST	LAST		
91716-2521	91715-0008	CKT 7, 8	a b d f h i		OPEN	OPEN	NONE	NONE
91716-2522	91715-0008	NONE	b c d f h i		OPEN	OPEN	NONE	BLUE

10 CIRCUIT

MOLEX PART NO.	MOLEX HOUSING NO.	TERMINAL VOID POSITION	REMOVED POSITION KEYS	CONFIGURATION (SEE NOTES)	END WALLS		POLARIZING RIB	COLOUR STRIPE
					FIRST	LAST		
91716-3501	91715-0010	NONE	NONE		OPEN	OPEN	NONE	NONE
91716-3502	91715-0210	NONE	ALL		OPEN	OPEN	BETWEEN CKT 2&3	NONE
91716-3503	91715-0010	CKT 2, 5, 7, 9	NONE		OPEN	OPEN	NONE	NONE
91716-3504	91715-0410	NONE	NONE		OPEN	OPEN	BETWEEN CKT 4&5	NONE

9 CIRCUIT

MOLEX PART NO.	MOLEX HOUSING NO.	TERMINAL VOID POSITION	REMOVED POSITION KEYS	CONFIGURATION (SEE NOTES)	END WALLS		POLARIZING RIB	COLOUR STRIPE
					FIRST	LAST		
91716-3001	91715-0009	NONE	NONE		OPEN	OPEN	NONE	NONE
91716-3002	91715-0409	NONE	NONE		OPEN	OPEN	BETWEEN CKT 4&5	NONE
91716-3003	91715-0009	CKT 2, 5, 8	NONE		OPEN	OPEN	NONE	NONE
91716-3004	91715-0209	NONE	NONE		OPEN	OPEN	BETWEEN CKT 2&3	NONE
91716-3005	91715-0009	CKT 2, 5, 8	b c e g i j		OPEN	OPEN	NONE	GREEN
91716-3006	91715-0009	CKT 2, 5, 8	NONE		OPEN	OPEN	NONE	GREEN
91716-3007	91715-0009	CKT 2, 5, 8	b c e f g i j		OPEN	OPEN	NONE	GREEN
91716-3008	91715-0009	CKT 2, 5, 8	b c e f g i		OPEN	OPEN	NONE	GREEN
91716-3009	91715-0009	CKT 2, 5, 7	c g		OPEN	OPEN	NONE	NONE
91716-3010	91715-0009	CKT 2, 5, 8	b c h i		OPEN	OPEN	NONE	NONE
91716-3011	91715-0709	NONE	NONE		OPEN	OPEN	BETWEEN CKT 7&8	NONE
91716-3012	91715-0509	NONE	NONE		OPEN	OPEN	BETWEEN CKT 5&6	NONE
91716-3013	91715-0029	NONE	NONE		CLOSED	CLOSED	NONE	NONE

11 CIRCUIT

MOLEX PART NO.	MOLEX HOUSING NO.	TERMINAL VOID POSITION	REMOVED POSITION KEYS	CONFIGURATION (SEE NOTES)	END WALLS		POLARIZING RIB	COLOUR STRIPE
					FIRST	LAST		
91716-4001	91715-0011	NONE	NONE		OPEN	OPEN	NONE	NONE
91716-4002	91715-0031	NONE	NONE		CLOSED	CLOSED	NONE	NONE
91716-4003	91715-0511	NONE	NONE		OPEN	OPEN	BETWEEN CCKT 5&6	NONE
91716-4004	91715-1031	NONE	NONE		CLOSED	CLOSED	BETWEEN CCKT 10&11	NONE
91716-4005	91715-1011	NONE	NONE		OPEN	OPEN	BETWEEN CCKT 10&11	NONE

12 CIRCUIT

MOLEX PART NO.	MOLEX HOUSING NO.	TERMINAL VOID POSITION	REMOVED POSITION KEYS	CONFIGURATION (SEE NOTES)	END WALLS		POLARIZING RIB	COLOUR STRIPE
					FIRST	LAST		
91716-4501	91715-0012	NONE	NONE		OPEN	OPEN	NONE	NONE
91716-4502	91715-0012	CKT 2, 5, 8, 11	b c d e j k l		OPEN	OPEN	NONE	GREEN
91716-4503	91715-0012	CKT 2, 5, 8, 11	NONE		OPEN	OPEN	NONE	GREEN
91716-4504	91715-0012	CKT 2, 5, 8, 11	a c d e g h i k l m		OPEN	OPEN	NONE	GREEN
91716-4505	91715-0012	CKT 2, 5, 8, 11	c d e g h i k l m		OPEN	OPEN	NONE	GREEN

- NOTES
- + DENOTES TERMINAL VOIDED POSITION
 ● DENOTES TERMINAL LOADED POSITION
 | DENOTES POLARIZING RIB POSITION
 - HOUSING NUMBER FOR MOLEX REFERENCE ONLY

SEE SHEET 1 EC NO: IP02076-0963 DRAWN BY: MURPHY CHKD: BG APPR: SHAMAHAN 2016/01/20	QUALITY SYMBOLS ▽=0 ▽=0	GENERAL TOLERANCES (UNLESS SPECIFIED) mm INCH 4 PLACES ±.--- ±.--- 3 PLACES ±0.05 ±.--- 2 PLACES ±0.10 ±.--- 1 PLACE ±0.2 ±.--- 0 PLACE ± ±.--- ANGULAR ±1/2°	DIMENSION STYLE MM ONLY DRAWN BY DATE NMCNAMAR 2004/02/12 CHECKED BY DATE JDENNEHY 2004/02/13 APPROVED BY DATE BMAGUIRE 2004/02/16	SCALE 5:1 DESIGN UNITS METRIC THIRD ANGLE PROJECTION	TITLE APPLI-MATE 2.5 FEMALE (MATL: NYLON PA6)	MATERIAL NO. SEE CHARTS	DOCUMENT NO. SD-91716-001	SHEET NO. 9 OF 10
	DRAFT WHERE APPLICABLE MUST REMAIN WITHIN DIMENSIONS							
	THIS DRAWING CONTAINS INFORMATION THAT IS PROPRIETARY TO MOLEX INCORPORATED AND SHOULD NOT BE USED WITHOUT WRITTEN PERMISSION							
	BG							

13 CIRCUIT

MOLEX PART NO.	MOLEX HOUSING NO.	TERMINAL VOID POSITION	REMOVED POSITION KEYS	CONFIGURATION (SEE NOTES)	END WALLS		POLARIZING RIB	COLOUR STRIPE
					FIRST	LAST		
91716-5001	91715-0013	NONE	NONE	①②③④⑤⑥⑦⑧⑨⑩⑪⑫⑬ 1 2 3 4 5 6 7 8 9 10 11 12 13	OPEN	OPEN	NONE	NONE
91716-5002	91715-0013	CKT 4, 6, 8, 10, 12	NONE	④⑥⑧⑩⑫④⑥⑧⑩⑫④⑥⑧⑩⑫ 1 2 3 4 5 6 7 8 9 10 11 12 13	OPEN	OPEN	NONE	NONE
91716-5003	91715-0013	NONE	c f h i k l	①②③④⑤⑥⑦⑧⑨⑩⑪⑫⑬ 1 2 3 4 5 6 7 8 9 10 11 12 13	OPEN	OPEN	NONE	NONE

17 CIRCUIT

MOLEX PART NO.	MOLEX HOUSING NO.	TERMINAL VOID POSITION	REMOVED POSITION KEYS	CONFIGURATION (SEE NOTES)	END WALLS		POLARIZING RIB	COLOUR STRIPE
					FIRST	LAST		
91716-7001	91715-0017	NONE	NONE	①②③④⑤⑥⑦⑧⑨⑩⑪⑫⑬⑭⑮⑯⑰ 1 2 3 4 5 6 7 8 9 10 11 12 13 14 15 16 17	OPEN	OPEN	NONE	NONE

14 CIRCUIT

MOLEX PART NO.	MOLEX HOUSING NO.	TERMINAL VOID POSITION	REMOVED POSITION KEYS	CONFIGURATION (SEE NOTES)	END WALLS		POLARIZING RIB	COLOUR STRIPE
					FIRST	LAST		
91716-5501	91715-0014	NONE	NONE	①②③④⑤⑥⑦⑧⑨⑩⑪⑫⑬⑭ 1 2 3 4 5 6 7 8 9 10 11 12 13 14	OPEN	OPEN	NONE	NONE

18 CIRCUIT

MOLEX PART NO.	MOLEX HOUSING NO.	TERMINAL VOID POSITION	REMOVED POSITION KEYS	CONFIGURATION (SEE NOTES)	END WALLS		POLARIZING RIB	COLOUR STRIPE
					FIRST	LAST		
91716-7501	91715-0018	NONE	NONE	①②③④⑤⑥⑦⑧⑨⑩⑪⑫⑬⑭⑮⑯⑰⑱ 1 2 3 4 5 6 7 8 9 10 11 12 13 14 15 16 17 18	OPEN	OPEN	NONE	NONE

15 CIRCUIT

MOLEX PART NO.	MOLEX HOUSING NO.	TERMINAL VOID POSITION	REMOVED POSITION KEYS	CONFIGURATION (SEE NOTES)	END WALLS		POLARIZING RIB	COLOUR STRIPE
					FIRST	LAST		
91716-6001	91715-0015	NONE	NONE	①②③④⑤⑥⑦⑧⑨⑩⑪⑫⑬⑭⑮ 1 2 3 4 5 6 7 8 9 10 11 12 13 14 15	OPEN	OPEN	NONE	NONE
91716-6002	91715-0015	CKT 4, 6, 8, 10, 12, 14	a p	④⑥⑧⑩⑫④⑥⑧⑩⑫④⑥⑧⑩⑫④⑥⑧⑩⑫⑬⑭⑮ 1 2 3 4 5 6 7 8 9 10 11 12 13 14 15	OPEN	OPEN	NONE	NONE
91716-6003	91715-0515	NONE	a p	①②③④⑤⑥⑦⑧⑨⑩⑪⑫⑬⑭⑮ 1 2 3 4 5 6 7 8 9 10 11 12 13 14 15	OPEN	OPEN	BETWEEN 5 & 6	NONE

19 CIRCUIT

MOLEX PART NO.	MOLEX HOUSING NO.	TERMINAL VOID POSITION	REMOVED POSITION KEYS	CONFIGURATION (SEE NOTES)	END WALLS		POLARIZING RIB	COLOUR STRIPE
					FIRST	LAST		
91716-8001	91715-0019	NONE	NONE	①②③④⑤⑥⑦⑧⑨⑩⑪⑫⑬⑭⑮⑯⑰⑱ 1 2 3 4 5 6 7 8 9 10 11 12 13 14 15 16 17 18 19	OPEN	OPEN	NONE	NONE

16 CIRCUIT

MOLEX PART NO.	MOLEX HOUSING NO.	TERMINAL VOID POSITION	REMOVED POSITION KEYS	CONFIGURATION (SEE NOTES)	END WALLS		POLARIZING RIB	COLOUR STRIPE
					FIRST	LAST		
91716-6501	91715-0016	NONE	NONE	①②③④⑤⑥⑦⑧⑨⑩⑪⑫⑬⑭⑮⑯⑰ 1 2 3 4 5 6 7 8 9 10 11 12 13 14 15 16	OPEN	OPEN	NONE	NONE

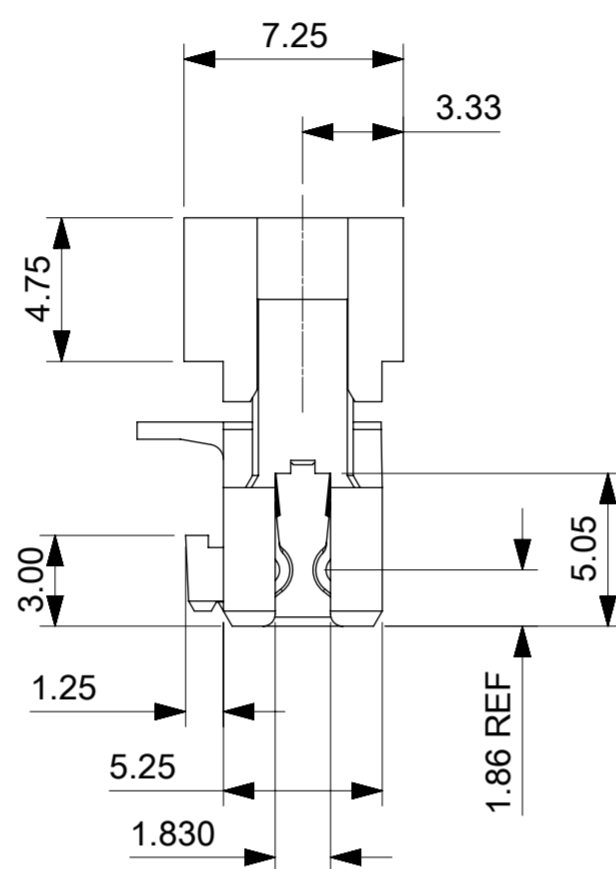
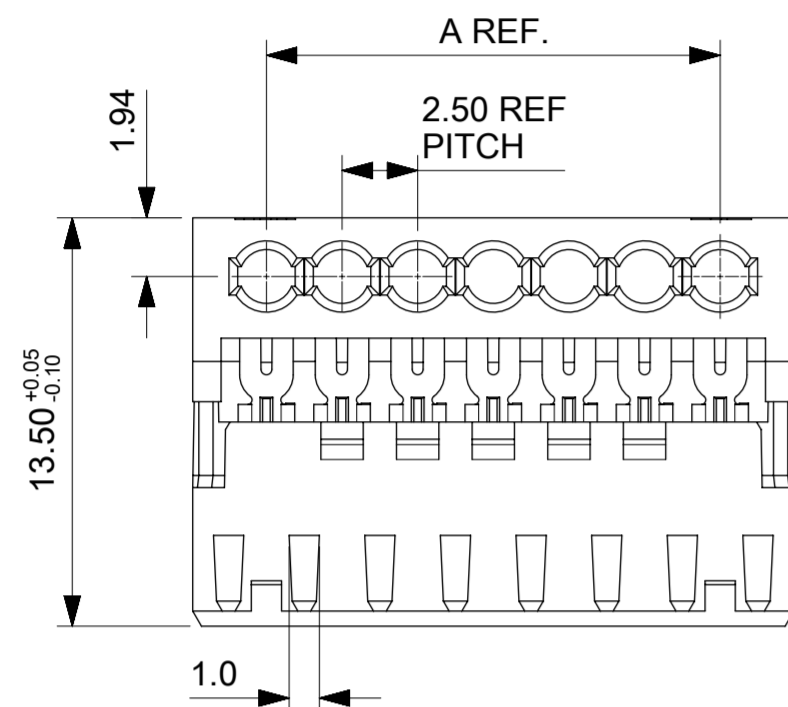
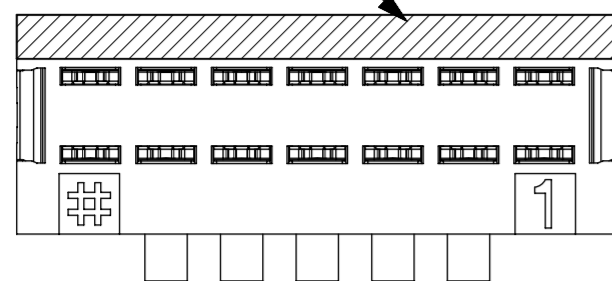
20 CIRCUIT

MOLEX PART NO.	MOLEX HOUSING NO.	TERMINAL VOID POSITION	REMOVED POSITION KEYS	CONFIGURATION (SEE NOTES)	END WALLS		POLARIZING RIB	COLOUR STRIPE
					FIRST	LAST		
91716-8501	91715-0020	NONE	NONE	①②③④⑤⑥⑦⑧⑨⑩⑪⑫⑬⑭⑮⑯⑰⑱⑲ 1 2 3 4 5 6 7 8 9 10 11 12 13 14 15 16 17 18 19 20	OPEN	OPEN	NONE	NONE

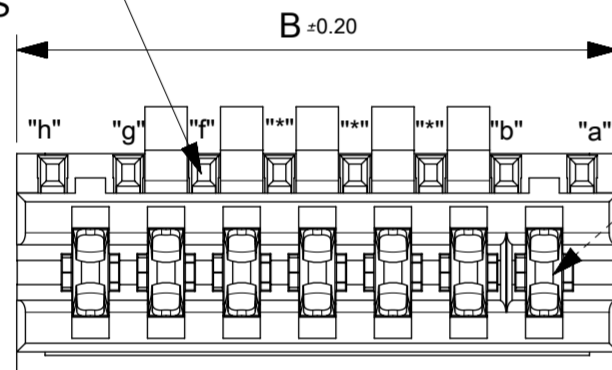
NOTES:
 1. + DENOTES TERMINAL VOIDED POSITION
 ● DENOTES TERMINAL LOADED POSITION
 | DENOTES POLARIZING RIB POSITION
 2. HOUSING NUMBER FOR MOLEX REFERENCE ONLY

SEE SHEET 1 SEC NO: P12076-0963 DRAWN BY: MURPHY CHKD: BG APPR: SHAMAHAN 2016/01/05 2016/01/20	QUALITY SYMBOLS ▽=0 ▽=0	GENERAL TOLERANCES (UNLESS SPECIFIED) mm INCH 4 PLACES ±.--- ±.--- 3 PLACES ±0.05 ±.--- 2 PLACES ±0.10 ±.--- 1 PLACE ±0.2 ±.--- 0 PLACE ± ±.--- ANGULAR ±1/2° DRAFT WHERE APPLICABLE MUST REMAIN WITHIN DIMENSIONS	DIMENSION STYLE MM ONLY DRAWN BY DATE NMCNAMAR 2004/02/12 CHECKED BY DATE JDENNEHY 2004/02/13 APPROVED BY DATE BMAGUIRE 2004/02/16	SCALE 1:1 DESIGN UNITS METRIC THIRD ANGLE PROJECTION	TITLE APPLI-MATE 2.5 FEMALE (MATL: NYLON PA6) molex DOCUMENT NO. SD-91716-001 SHEET NO. 10 OF 10
	THIS DRAWING CONTAINS INFORMATION THAT IS PROPRIETARY TO MOLEX INCORPORATED AND SHOULD NOT BE USED WITHOUT WRITTEN PERMISSION				MATERIAL NO.
	SEE CHARTS				SIDE 1
	INCORPORATED AND SHOULD NOT BE USED WITHOUT WRITTEN PERMISSION				SIDE 1

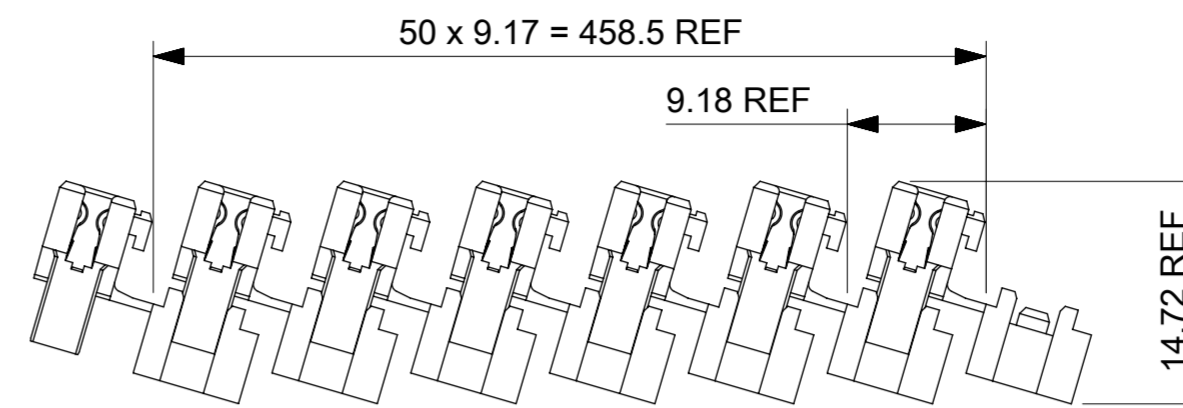
POSITION OF COLOUR STRIPE (see note 3)



POSITION KEYS



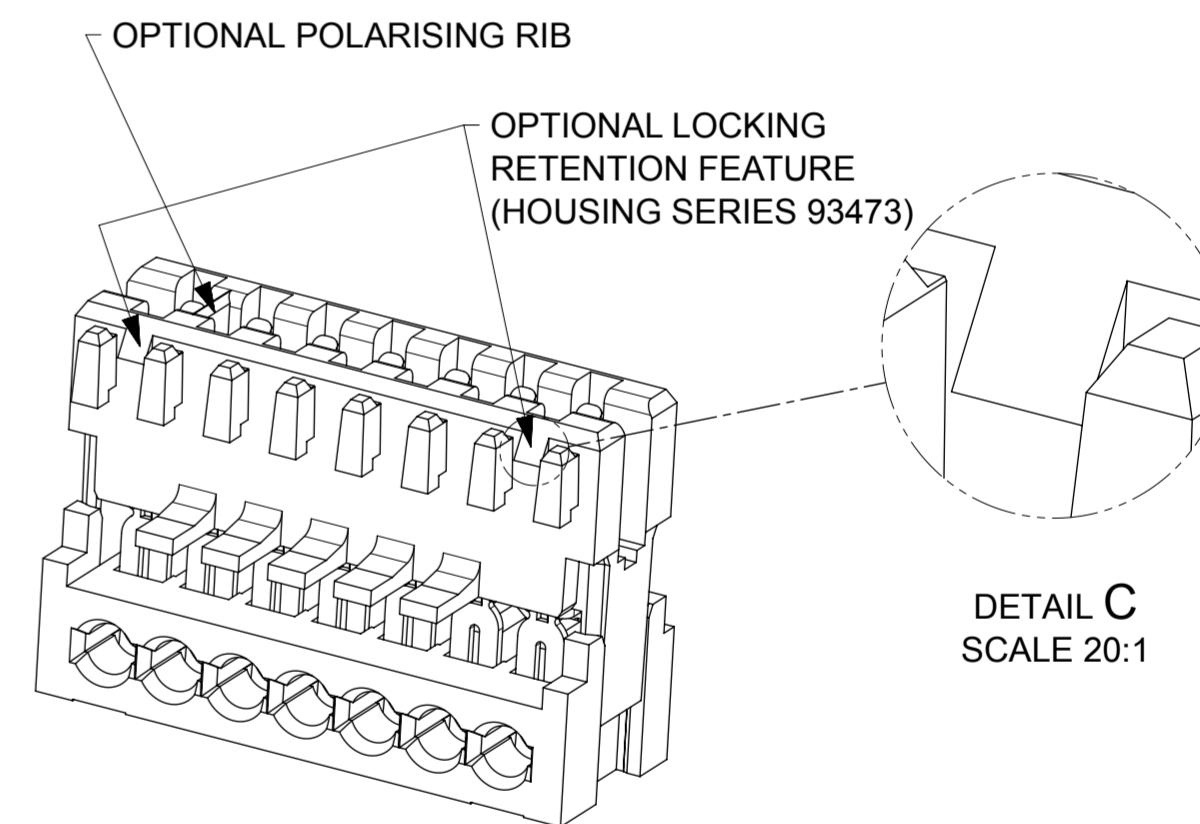
CIRCUIT 1



SHIPPING ARRANGEMENT

CCT	A	B
3	5.0	9.875
4	7.5	12.375
5	10.0	14.875
6	12.5	17.375
7	15.0	19.875
8	17.5	22.375
9	20.0	24.875
10	22.5	27.375
11	25.0	29.875
12	27.5	32.375
13	30.0	34.875
14	32.5	37.375
15	35.0	39.875
16	37.5	42.375
17	40.0	44.875
18	42.5	47.375
19	45.0	49.875
20	47.5	52.375

OPTIONAL PART FEATURES



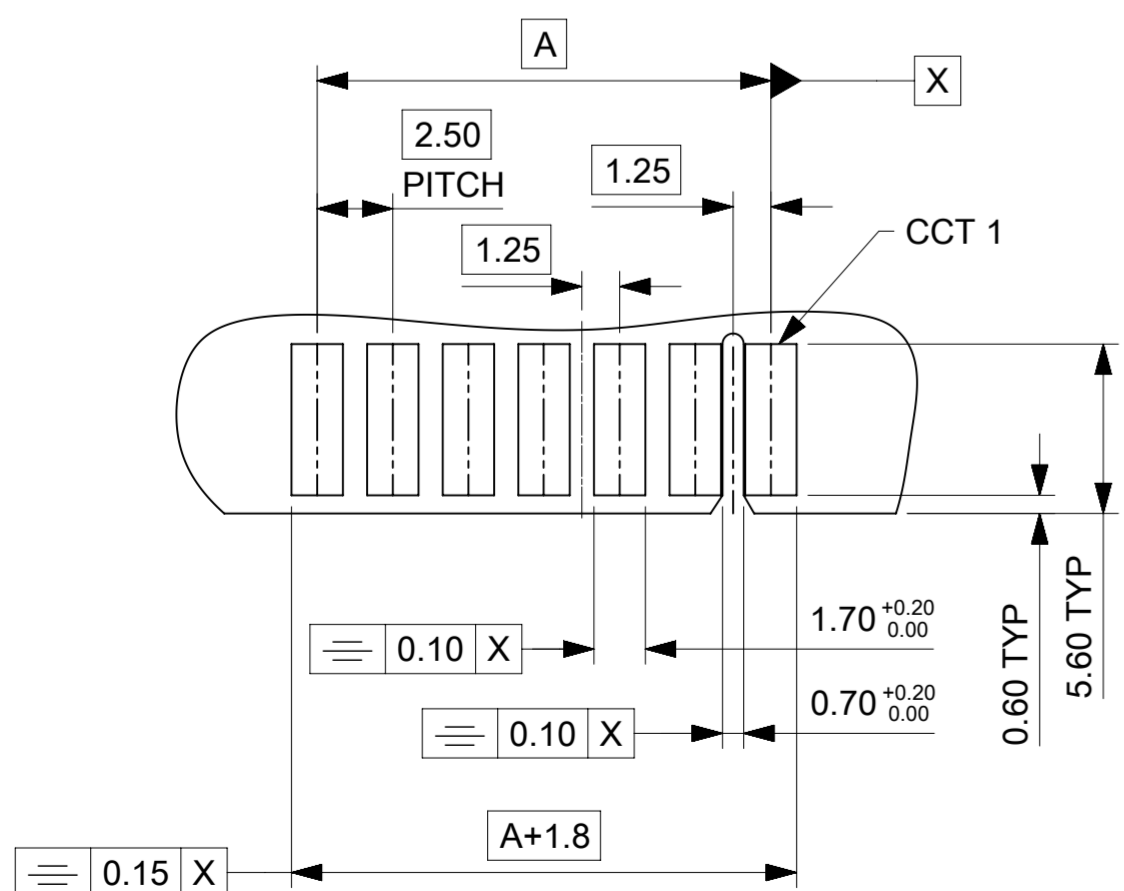
DETAIL C SCALE 20:1

NOTES:

1. REFER TO PRODUCT SPECIFICATION: PS-99020-0040.
2. MATERIAL: HOUSING - NYLON PA6 UL94-VO, COLOUR: NATURAL (WHITE).
TERMINAL: PHOSPHOR BRONZE 0.30 REF. THICK - PLATING HOT TIN DIP.
3. COLOUR STRIPE IS OPTIONAL. AVAILABLE IN THE FOLLOWING COLOURS: RED, GREEN, BLUE, PURPLE (BOLD SIGNIFIES CUSTOMER SPECIFIC CONFIGURATION)
4. REFER TO PACKAGING SPEC (PK-90871-001)
5. REFER TO APPLICATION SPEC (AS-99033-0008)

SEE SUBSEQUENT SHEETS FOR RELEVANT PART NUMBERS.
LOCKING RETENTION FEATURE AVAILABLE FIRST AND LAST CIRCUIT ONLY
SMALLEST CIRCUIT SIZE AVAILABLE WITH LOCKING RETENTION FEATURE IS 5 CKT

PRE-RELEASE REFERENCE USE ONLY



- PCB LAYOUT FOR 7CCT (2.5mm) CONNECTOR (WITH OPTIONAL POSITIONAL RIB SLOT BETWEEN CCT 1 & 2)
- RECOMMENDED PCB THICKNESS 1.5±0.14

THIS DRAWING CONTAINS INFORMATION THAT IS PROPRIETARY TO MOLEX ELECTRONIC TECHNOLOGIES, LLC AND SHOULD NOT BE USED WITHOUT WRITTEN PERMISSION

NX - RELEASE EC NO: 105095 DRWN: CFISHER01 CHKD: CMONAHAN REV / APPR:	2016/05/06 2016/06/12	GENERAL TOLERANCES (UNLESS SPECIFIED) ANGULAR TOL ± 0.5 °	DIMENSION UNITS: MM SCALE:		
	4 PLACES ± 3 PLACES ± 0.05 2 PLACES ± 0.1 1 PLACE ± 0.2 0 PLACES ±	DRWN BY: CFISHER01 DATE: 2016/05/06	CHKD BY: CMONAHAN DATE: 2016/06/12		APPLI-MATE 2.5 FEMALE (MATL: NYLON PA6)
	DRAFT WHERE APPLICABLE MUST REMAIN WITHIN DIMENSIONS	DRAWING SIZE: A2 THIRD ANGLE PROJECTION	PRODUCT CUSTOMER DRAWING		SERIES: 91716 MATERIAL NUMBER: SEE CHARTS CUSTOMER:
	DOCUMENT NUMBER: 917160001 DOC TYPE: PSD DOC PART: 000 SHEET NUMBER: 1 OF 10				

3 CIRCUIT									
PART NUMBER	HOUSING USED	TERMINAL VOID POSITION	REMOVED POSITION KEYS	CONFIGURATION	FIRST ENDWALL	LAST ENDWALL	POLARIZING RIB BETWEEN	COLOUR STRIPE	
91716-0001	91715-0003	NONE	NONE		OPEN	OPEN	NONE	NONE	
91716-0002	91715-0003	NONE	a d		OPEN	OPEN	NONE	RED	
91716-0013	91715-0003	NONE	a		OPEN	OPEN	NONE	NONE	
91716-0014	91715-0003	NONE	b		OPEN	OPEN	NONE	NONE	
91716-0015	91715-0003	NONE	c		OPEN	OPEN	NONE	NONE	
91716-0016	91715-0003	NONE	d		OPEN	OPEN	NONE	NONE	
91716-0017	91715-0003	NONE	b d		OPEN	OPEN	NONE	NONE	
91716-0018	91715-0003	NONE	a c		OPEN	OPEN	NONE	NONE	
91716-0019	91715-0003	NONE	a d		OPEN	OPEN	NONE	NONE	
91716-0020	91715-0003	NONE	a b		OPEN	OPEN	NONE	NONE	
91716-0021	91715-0003	NONE	b c		OPEN	OPEN	NONE	NONE	
91716-0022	91715-0003	NONE	c d		OPEN	OPEN	NONE	NONE	
91716-0023	91715-0003	CCT 2	b d		OPEN	OPEN	NONE	NONE	
91716-0024	91715-0003	CCT 3	c		OPEN	OPEN	NONE	BLUE	
91716-0034	91715-0103	NONE	NONE		OPEN	OPEN	1&2	NONE	
91716-0041	91715-0203	NONE	NONE		OPEN	OPEN	2&3	NONE	
91716-0042	91715-0003	CCT 1	NONE		OPEN	OPEN	NONE	NONE	
91716-0043	91715-0003	CCT 1	c		OPEN	OPEN	NONE	NONE	
91716-0044	91715-0003	NONE	b d		OPEN	OPEN	NONE	BLUE	
91716-0045	91715-0003	NONE	b		OPEN	OPEN	NONE	BLUE	
91716-0046	91715-0003	CCT 1	d		OPEN	OPEN	NONE	NONE	
91716-0047	91715-0003	NONE	b d		OPEN	OPEN	NONE	RED	
91716-0048	91715-0003	NONE	b c d		OPEN	OPEN	NONE	NONE	
91716-0049	91715-0003	NONE	c		OPEN	OPEN	NONE	PURPLE	
91716-0050	91715-9903	NONE	NONE		OPEN	NARROW	NONE	NONE	
91716-0051	91715-0003	NONE	d		OPEN	OPEN	NONE	BLACK	

PRE-RELEASE
REFERENCE
USE ONLY

NOTES

- + DENOTES TERMINAL VOIDED POSITION
⊕ DENOTES TERMINAL LOADED POSITION
| DENOTES POLARIZING RIB POSITION
- MOLEX HOUSING NO. FOR REFERENCE ONLY

THIS DRAWING CONTAINS INFORMATION THAT IS PROPRIETARY TO MOLEX ELECTRONIC TECHNOLOGIES, LLC AND SHOULD NOT BE USED WITHOUT WRITTEN PERMISSION									
NX - RELEASE EC NO: 105095 DRWN: CFISHER01 CHKD: CMONAHAN REV APPR:	GENERAL TOLERANCES (UNLESS SPECIFIED)		DIMENSION UNITS		SCALE				
	ANGULAR TOL ± 0.5 °		MM						
	4 PLACES ±		DRWN BY		DATE		APPLI-MATE 2.5 FEMALE (MATL: NYLON PA6)		
	3 PLACES ± 0.05		CFISHER01		2016/05/06				
	2 PLACES ± 0.1		CHK'D BY		DATE		PRODUCT CUSTOMER DRAWING		
1 PLACE ± 0.2		CMONAHAN		2016/06/12					
0 PLACES ±		APPR BY		DATE		SERIES: 91716 MATERIAL NUMBER: SEE CHARTS CUSTOMER:			
DRAFT WHERE APPLICABLE MUST REMAIN WITHIN DIMENSIONS		DRAWING SIZE		THIRD ANGLE PROJECTION					
A		A2				DOCUMENT NUMBER: 917160001 DOC TYPE: PSD DOC PART: 000 SHEET NUMBER: 2 OF 10			

4 CIRCUIT

PART NUMBER	HOUSING USED	TERMINAL VOID POSITION	REMOVED POSITION KEYS	CONFIGURATION	FIRST ENDWALL	LAST ENDWALL	POLARIZING RIB BETWEEN	COLOUR STRIPE
91716-0501	91715-0004	NONE	NONE		OPEN	OPEN	NONE	NONE
91716-0502	91715-0004	NONE	d		OPEN	OPEN	NONE	NONE
91716-0503	91715-0004	NONE	a d		OPEN	OPEN	NONE	NONE
91716-0504	91715-0004	NONE	c e		OPEN	OPEN	NONE	NONE
91716-0505	91715-0004	NONE	a		OPEN	OPEN	NONE	NONE
91716-0506	91715-0204	NONE	NONE		OPEN	OPEN	2&3	NONE
91716-0538	91715-0004	NONE	b		OPEN	OPEN	NONE	NONE
91716-0530	91715-0004	NONE	b c		OPEN	OPEN	NONE	NONE
91716-0539	91715-0004	NONE	a b		OPEN	OPEN	NONE	NONE
91716-0540	91715-0004	NONE	d e		OPEN	OPEN	NONE	NONE
91716-0541	91715-0004	NONE	ALL		OPEN	OPEN	NONE	NONE
91716-0542	91715-0004	NONE	a b e		OPEN	OPEN	NONE	NONE
91716-0507	91715-0004	CCT 1	NONE		OPEN	OPEN	NONE	NONE
91716-0543	91715-0304	NONE	NONE		OPEN	OPEN	3&4	RED
91716-0544	91715-0204	NONE	NONE		OPEN	OPEN	2&3	BLUE
91716-0545	91715-0004	NONE	d		OPEN	OPEN	NONE	BLUE
91716-0546	91715-0004	NONE	b		OPEN	OPEN	NONE	RED
91716-0547	91715-0004	NONE	b c		OPEN	OPEN	NONE	GREEN
91716-0548	91715-0004	NONE	c d		OPEN	OPEN	NONE	RED
91716-0549	91715-0004	NONE	a c e		OPEN	OPEN	NONE	NONE
91716-0550	91715-0104	NONE	NONE		OPEN	OPEN	1&2	NONE
91716-0551	91715-0004	NONE	NONE		OPEN	OPEN	NONE	GREEN
91716-0552	91715-0004	NONE	b c d		OPEN	OPEN	NONE	NONE
91716-0553	91715-0004	NONE	b d		OPEN	OPEN	NONE	NONE
91716-0554	91715-0004	NONE	a b d		OPEN	OPEN	NONE	NONE
91716-0555	91715-0004	NONE	a c e		OPEN	OPEN	NONE	BLACK
91716-0556	91715-0004	NONE	a e		OPEN	OPEN	NONE	NONE
91716-0557	91715-0104	NONE	a b d e		OPEN	OPEN	1&2	NONE
91716-0558	91715-0004	NONE	a c		OPEN	OPEN	NONE	NONE
91716-0559	91715-0004	NONE	b e		OPEN	OPEN	NONE	NONE

PRE-RELEASE
REFERENCE
USE ONLY

NOTES

- + DENOTES TERMINAL VOIDED POSITION
⊕ DENOTES TERMINAL LOADED POSITION
| DENOTES POLARIZING RIB POSITION
- MOLEX HOUSING NO. FOR REFERENCE ONLY

THIS DRAWING CONTAINS INFORMATION THAT IS PROPRIETARY TO MOLEX ELECTRONIC TECHNOLOGIES, LLC AND SHOULD NOT BE USED WITHOUT WRITTEN PERMISSION			
NX - RELEASE EC NO: 105095 DRWN: CFISHER01 CHKD: CMONAHAN REV APPR:	2016/05/06	2016/06/12	
	GENERAL TOLERANCES (UNLESS SPECIFIED)		DIMENSION UNITS
	ANGULAR TOL ± 0.5 °		SCALE
	4 PLACES ±		MM
	3 PLACES ± 0.05		DRWN BY
2 PLACES ± 0.1		DATE	CFISHER01 2016/05/06
1 PLACE ± 0.2		CHK'D BY	DATE
0 PLACES ±		CMONAHAN	2016/06/12
DRAFT WHERE APPLICABLE MUST REMAIN WITHIN DIMENSIONS		APPR BY	DATE
A2		DRAWING SIZE	THIRD ANGLE PROJECTION
		PRODUCT CUSTOMER DRAWING SERIES: 91716 MATERIAL NUMBER: SEE CHARTS CUSTOMER:	
		DOCUMENT NUMBER: 917160001 DOC TYPE: PSD DOC PART: 000 SHEET NUMBER: 3 OF 10	

molex

APPLI-MATE 2.5 FEMALE
(MATL: NYLON PA6)

5 CIRCUIT

PART NUMBER	HOUSING USED	TERMINAL VOID POSITION	REMOVED POSITION KEYS	CONFIGURATION	FIRST ENDWALL	LAST ENDWALL	POLARIZING RIB BETWEEN	COLOUR STRIPE	
91716-1001	91715-0005	NONE	NONE		OPEN	OPEN	NONE	NONE	
91716-1002	91715-0305	NONE	ALL		OPEN	OPEN	3&4	NONE	
91716-1003	91715-0405	NONE	NONE		OPEN	OPEN	4&5	NONE	
91716-1004	91715-0005	NONE	cd		OPEN	OPEN	NONE	NONE	
91716-1005	91715-0005	NONE	a		OPEN	OPEN	NONE	NONE	
91716-1006	91715-0005	NONE	b		OPEN	OPEN	NONE	NONE	
91716-1007	91715-0005	NONE	abef		OPEN	OPEN	NONE	NONE	
91716-1008	91715-0205	NONE	NONE		OPEN	OPEN	2&3	NONE	
91716-1009	91715-0005	CCT 2,3,4	NONE		OPEN	OPEN	NONE	NONE	
91716-1010	91715-0005	CCT 2	c		OPEN	OPEN	NONE	NONE	
91716-1011	91715-0005	CCT 2	d		OPEN	OPEN	NONE	NONE	
91716-1012	91715-0005	CCT 2	b		OPEN	OPEN	NONE	NONE	
91716-1013	91715-0005	CCT 2	a		OPEN	OPEN	NONE	NONE	
91716-1014	91715-0005	NONE	b c d e		OPEN	OPEN	NONE	NONE	
91716-1015	91715-0305	CCT 2,3,4	NONE		OPEN	OPEN	3&4	RED	
91716-1016	91715-0005	CCT 2	b		OPEN	OPEN	NONE	RED	
91716-1017	91715-0005	NONE	d e		OPEN	OPEN	NONE	NONE	
91716-1018	91715-0005	NONE	a d f		OPEN	OPEN	NONE	NONE	
91716-1019	91715-0105	NONE	NONE		OPEN	OPEN	1&2	NONE	
91716-1020	91715-0005	CCT 2,3,4	b		OPEN	OPEN	NONE	NONE	
91716-1021	91715-0005	NONE	d		OPEN	OPEN	NONE	NONE	
91716-1022	91715-0005	NONE	b f		OPEN	OPEN	NONE	RED	
91716-1023	91715-0005	CCT 2,3,4	c e		OPEN	OPEN	NONE	NONE	
91716-1024	91715-0205	NONE	abef		OPEN	OPEN	2&3	NONE	
91716-1025	91715-0005	CCT 2,3,4	cf		OPEN	OPEN	NONE	NONE	
91716-1026	93473-0205	NONE	ALL		OPEN	OPEN	2&3	NONE	LOCKING RETENTION FEATURE
91716-1027	91715-0205	NONE	ALL		OPEN	OPEN	2&3	NONE	
91716-1028	93473-0005	NONE	NONE		OPEN	OPEN	NONE	NONE	LOCKING RETENTION FEATURE

PRE-RELEASE REFERENCE USE ONLY

NOTES

- + DENOTES TERMINAL VOIDED POSITION
- ⊕ DENOTES TERMINAL LOADED POSITION
- | DENOTES POLARIZING RIB POSITION
2. MOLEX HOUSING NO. FOR REFERENCE ONLY

THIS DRAWING CONTAINS INFORMATION THAT IS PROPRIETARY TO MOLEX ELECTRONIC TECHNOLOGIES, LLC AND SHOULD NOT BE USED WITHOUT WRITTEN PERMISSION

NX - RELEASE EC NO: 105095 DRWN: CFISHER01 CHKD: CMONAHAN REV / APPR:	2016/05/06	2016/06/12	GENERAL TOLERANCES (UNLESS SPECIFIED)	DIMENSION UNITS	SCALE	
			ANGULAR TOL ± 0.5 °	MM		
	4 PLACES ±		CFISHER01	DATE	2016/05/06	
	3 PLACES ± 0.05		CHK'D BY	DATE		
2 PLACES ± 0.1		CMONAHAN	DATE	2016/06/12		
1 PLACE ± 0.2		APPR BY	DATE			
0 PLACES ±						
DRAFT WHERE APPLICABLE MUST REMAIN WITHIN DIMENSIONS		DRAWING SIZE	THIRD ANGLE PROJECTION	A2		PRODUCT CUSTOMER DRAWING SERIES: 91716 MATERIAL NUMBER: SEE CHARTS CUSTOMER:
DOCUMENT NUMBER: 917160001		DOC TYPE: PSD	DOC PART: 000	SHEET NUMBER: 4 OF 10		

6 CIRCUIT								
PART NUMBER	HOUSING USED	TERMINAL VOID POSITION	REMOVED POSITION KEYS	CONFIGURATION	FIRST ENDWALL	LAST ENDWALL	POLARIZING RIB BETWEEN	COLOUR STRIPE
91716-1501	91715-0006	NONE	NONE		OPEN	OPEN	NONE	NONE
91716-1502	91715-0306	NONE	ALL		OPEN	OPEN	3&4	NONE
91716-1503	91715-0006	NONE	c e f g		OPEN	OPEN	NONE	NONE
91716-1504	91715-0206	NONE	ALL		OPEN	OPEN	2&3	NONE
91716-1505	91715-0006	CCT 2,5	d f		OPEN	OPEN	NONE	NONE
91716-1506	91715-0006	NONE	a b f g		OPEN	OPEN	NONE	NONE
91716-1507	91715-0006	NONE	e f		OPEN	OPEN	NONE	NONE
91716-1509	91715-0006	NONE	g		OPEN	OPEN	NONE	NONE
91716-1510	91715-0006	CCT 2	c f		OPEN	OPEN	NONE	NONE
91716-1511	91715-0006	CCT 2,5	NONE		OPEN	OPEN	NONE	NONE
91716-1512	91715-0006	CCT 3,5	NONE		OPEN	OPEN	NONE	NONE
91716-1513	91715-0006	CCT 2,4	b d e f		OPEN	OPEN	NONE	NONE
91716-1514	91715-0106	CCT 3,5	NONE		OPEN	OPEN	1&2	NONE
91716-1515	91715-0206	CCT 2,5	NONE		OPEN	OPEN	2&3	NONE
91716-1516	91715-0306	NONE	c f		OPEN	OPEN	3&4	NONE
91716-1517	91715-0006	NONE	c e		OPEN	OPEN	NONE	NONE
91716-1518	91715-0006	CCT 2,4	NONE		OPEN	OPEN	NONE	NONE
91716-1519	91715-0006	NONE	a c e		OPEN	OPEN	NONE	NONE
91716-1520	91715-0006	CCT 5	c e		OPEN	OPEN	NONE	NONE
91716-1521	91715-0006	CCT 2,4,5,6	c e		OPEN	OPEN	NONE	NONE
91716-1522	91715-0006	CCT 2,6	c e		OPEN	OPEN	NONE	NONE
91716-1523	91715-0406	NONE	NONE		OPEN	OPEN	4&5	NONE
91716-1524	91715-0006	CCT 2,4,5,6	NONE		OPEN	OPEN	NONE	NONE
91716-1525	91715-0006	CCT 2,6	NONE		OPEN	OPEN	NONE	NONE
91716-1526	91715-0006	CCT 2,5	NONE		OPEN	OPEN	NONE	NONE
91716-1527	91715-0006	CCT 2,5	c e		OPEN	OPEN	NONE	NONE
91716-1528	91715-0006	CCT 2,5	a b d f g		OPEN	OPEN	NONE	GREEN
91716-1529	91715-0006	NONE	d		OPEN	OPEN	NONE	NONE
91716-1531	91715-0006	CCT 1,2,3,5	NONE		OPEN	OPEN	NONE	NONE
91716-1532	91715-0006	CCT 1,2,3,5	d f		OPEN	OPEN	NONE	NONE

6 CIRCUIT								
PART NUMBER	HOUSING USED	TERMINAL VOID POSITION	REMOVED POSITION KEYS	CONFIGURATION	FIRST ENDWALL	LAST ENDWALL	POLARIZING RIB BETWEEN	COLOUR STRIPE
91716-1534	91715-0006	CCT 3,4	b d f		OPEN	OPEN	NONE	NONE
91716-1535	91715-0006	CCT 4,5	b d f		OPEN	OPEN	NONE	NONE
91716-1536	91715-0206	NONE	NONE		OPEN	OPEN	2&3	NONE
91716-1537	91715-0006	NONE	d		OPEN	OPEN	NONE	BLUE
91716-1538	91715-0006	CCT 2,5	b d		OPEN	OPEN	NONE	NONE
91716-1539	91715-0006	CCT 5,6	c f		OPEN	OPEN	NONE	NONE
91716-1540	91715-0006	CCT 2,4	d e		OPEN	OPEN	NONE	GREEN
91716-1541	91715-0006	NONE	a f g		OPEN	OPEN	NONE	NONE
91716-1542	91715-0006	NONE	NONE		OPEN	OPEN	NONE	RED
91716-1543	91715-0506	NONE	NONE		OPEN	OPEN	5&6	NONE
91716-1544	91715-0006	NONE	c e g		OPEN	OPEN	NONE	RED
91716-1545	91715-0006	NONE	d f		OPEN	OPEN	NONE	BLACK
91716-1546	91715-0006	NONE	a d		OPEN	OPEN	NONE	NONE
91716-1547	91715-0006	NONE	b e f		OPEN	OPEN	NONE	NONE
91716-1548	91715-0006	NONE	c d e		OPEN	OPEN	NONE	NONE
91716-1549	91715-0406	NONE	NONE		OPEN	OPEN	4&5	NONE
91716-1550	91715-0006	NONE	b d f		OPEN	OPEN	NONE	NONE
91716-1551	91715-0006	NONE	a c e g		OPEN	OPEN	NONE	NONE
91716-1552	91715-0006	NONE	a b d f		OPEN	OPEN	NONE	NONE
91716-1553	91715-0006	CCT 2,5	c d		OPEN	OPEN	NONE	BLACK
91716-1554	91715-0006	CCT 2,4	b		OPEN	OPEN	NONE	RED
91716-1555	91715-0006	NONE	c f		OPEN	OPEN	NONE	NONE
91716-1556	91715-0006	NONE	b d e g		OPEN	OPEN	NONE	NONE
91716-1557	91715-0006	CCT 2,4	b g		OPEN	OPEN	NONE	RED
91716-1558	91715-0006	NONE	d f		OPEN	OPEN	NONE	NONE

PRE-RELEASE
 REFERENCE
 USE ONLY

6CCT CONTINUED ON NEXT SHEET

NOTES

- + DENOTES TERMINAL VOIDED POSITION
⊕ DENOTES TERMINAL LOADED POSITION
| DENOTES POLARIZING RIB POSITION
- MOLEX HOUSING NO. FOR REFERENCE ONLY

THIS DRAWING CONTAINS INFORMATION THAT IS PROPRIETARY TO MOLEX ELECTRONIC TECHNOLOGIES, LLC AND SHOULD NOT BE USED WITHOUT WRITTEN PERMISSION

EC NO: 105095 DRWN: CFISHER01 CHKD: CMONAHAN REV APPR:	GENERAL TOLERANCES (UNLESS SPECIFIED) ANGULAR TOL ± 0.5° 4 PLACES ± 3 PLACES ± 0.05 2 PLACES ± 0.1 1 PLACE ± 0.2 0 PLACES ±	DIMENSION UNITS: MM SCALE: DRWN BY: CFISHER01 DATE: 2016/05/06 CHKD BY: CMONAHAN DATE: 2016/06/12 APPR BY:	
	PRODUCT CUSTOMER DRAWING SERIES: 91716 MATERIAL NUMBER: SEE CHARTS CUSTOMER:		APPLI-MATE 2.5 FEMALE (MATL: NYLON PA6)
	DRAFT WHERE APPLICABLE MUST REMAIN WITHIN DIMENSIONS DRAWING SIZE: A2 THIRD ANGLE PROJECTION		
	DOCUMENT NUMBER: 917160001 DOC TYPE: PSD DOC PART: 000 SHEET NUMBER: 5 OF 10		

6 CIRCUIT

PART NUMBER	HOUSING USED	TERMINAL VOID POSITION	REMOVED POSITION KEYS	CONFIGURATION	FIRST ENDWALL	LAST ENDWALL	POLARIZING RIB BETWEEN	COLOUR STRIPE	
91716-1559	91715-0006	CCT 1	NONE		OPEN	OPEN	NONE	NONE	
91716-1560	91715-0006	NONE	a c e f g		OPEN	OPEN	NONE	NONE	
91716-1561	91715-0006	NONE	a d g		OPEN	OPEN	NONE	NONE	
91716-1562	91715-0006	NONE	a c d e f g		OPEN	OPEN	NONE	NONE	
91716-1563	91715-0006	CCT 5	a c d e f g		OPEN	OPEN	NONE	NONE	
91716-1564	91715-0006	CCT 6	a c d e f g		OPEN	OPEN	NONE	NONE	
91716-1565	91715-0006	CCT 5	NONE		OPEN	OPEN	NONE	NONE	
91716-1566	93473-0006	NONE	NONE		OPEN	OPEN	NONE	NONE	LOCKING RETENTION FEATURE
91716-1567	93473-0006	NONE	d f		OPEN	OPEN	NONE	NONE	LOCKING RETENTION FEATURE
91716-1568	93473-0006	CCT 1	NONE		OPEN	OPEN	NONE	NONE	LOCKING RETENTION FEATURE
91716-1569	93473-0006	NONE	a c d e f g		OPEN	OPEN	NONE	NONE	LOCKING RETENTION FEATURE
91716-1570	93473-0006	CCT 5	a c d e f g		OPEN	OPEN	NONE	NONE	LOCKING RETENTION FEATURE
91716-1571	93473-0006	CCT 5	NONE		OPEN	OPEN	NONE	NONE	LOCKING RETENTION FEATURE
91716-1572	93473-0006	NONE	d		OPEN	OPEN	NONE	PURPLE	LOCKING RETENTION FEATURE
91716-1573	91715-0006	CCT 2.5	c e g		OPEN	OPEN	NONE	RED	

PRE-RELEASE
REFERENCE
USE ONLY

NOTES

- + DENOTES TERMINAL VOIDED POSITION
⊕ DENOTES TERMINAL LOADED POSITION
| DENOTES POLARIZING RIB POSITION
- MOLEX HOUSING NO. FOR REFERENCE ONLY

THIS DRAWING CONTAINS INFORMATION THAT IS PROPRIETARY TO MOLEX ELECTRONIC TECHNOLOGIES, LLC AND SHOULD NOT BE USED WITHOUT WRITTEN PERMISSION									
NX - RELEASE EC NO: 105095 DRWN: CFISHER01 CHKD: CMONAHAN REV APPR:	2016/05/06 2016/06/12		GENERAL TOLERANCES (UNLESS SPECIFIED)		DIMENSION UNITS SCALE				
			ANGULAR TOL ± 0.5 °		MM				
	4 PLACES ±		CFISHER01		DATE		APPLI-MATE 2.5 FEMALE (MATL: NYLON PA6)		
	3 PLACES ± 0.05		CMONAHAN		2016/06/12				
	2 PLACES ± 0.1		DATE		DATE		PRODUCT CUSTOMER DRAWING		
1 PLACE ± 0.2		DATE		DATE					
0 PLACES ±		DRAWING SIZE		THIRD ANGLE PROJECTION		SERIES		MATERIAL NUMBER	
DRAFT WHERE APPLICABLE MUST REMAIN WITHIN DIMENSIONS		A2				91716		SEE CHARTS	
A		REV		APP		DOCUMENT NUMBER		SHEET NUMBER	
						917160001		6 OF 10	
						PSD		000	

7 CIRCUIT									
PART NUMBER	HOUSING USED	TERMINAL VOID POSITION	REMOVED POSITION KEYS	CONFIGURATION	FIRST ENDWALL	LAST ENDWALL	POLARIZING RIB BETWEEN	COLOUR STRIPE	
91716-2001	91715-0007	NONE	NONE		OPEN	OPEN	NONE	NONE	
91716-2002	91715-0207	NONE	ALL		OPEN	OPEN	2&3	NONE	
91716-2004	91715-0007	NONE	a		OPEN	OPEN	NONE	NONE	
91716-2005	91715-0007	CCT 2	h		OPEN	OPEN	NONE	NONE	
91716-2006	91715-0007	CCT 4	a		OPEN	OPEN	NONE	NONE	
91716-2007	91715-0007	CCT 2	NONE		OPEN	OPEN	NONE	NONE	
91716-2008	91715-0007	CCT 6	NONE		OPEN	OPEN	NONE	NONE	
91716-2009	91715-0007	CCT 2	b c e g		OPEN	OPEN	NONE	BLUE	
91716-2010	91715-0007	CCT 4,6	b d f		OPEN	OPEN	NONE	RED	
91716-2011	91715-0007	CCT 4,6	b d f		OPEN	OPEN	NONE	BLUE	
91716-2012	91715-0007	CCT 2	NONE		OPEN	OPEN	NONE	BLUE	
91716-2013	91715-0007	CCT 2	b d e f h		OPEN	OPEN	NONE	BLUE	
91716-2014	91715-0007	CCT 4,6	NONE		OPEN	OPEN	NONE	BLUE	
91716-2015	91715-0007	CCT 4,6	c d e f h		OPEN	OPEN	NONE	BLUE	
91716-2016	91715-0007	CCT 6	c d e f h		OPEN	OPEN	NONE	BLUE	
91716-2017	91715-0007	CCT 6	c d e f		OPEN	OPEN	NONE	BLUE	
91716-2018	91715-0007	CCT 6	NONE		OPEN	OPEN	NONE	BLUE	
91716-2019	91715-0007	CCT 2	NONE		OPEN	OPEN	NONE	BLACK	
91716-2020	91715-0007	NONE	a c e f h		OPEN	OPEN	NONE	NONE	
91716-2021	91715-0007	NONE	a		OPEN	OPEN	NONE	BLACK	
91716-2022	91715-0007	NONE	b c d f		OPEN	OPEN	NONE	NONE	
91716-2023	91715-0007	NONE	a d		OPEN	OPEN	NONE	NONE	
91716-2024	91715-0007	NONE	a b e f		OPEN	OPEN	NONE	NONE	
91716-2025	91705-0507	NONE	NONE		OPEN	OPEN	5&6	NONE	
91716-2026	91705-0007	NONE	ALL		OPEN	OPEN	NONE	NONE	
91716-2027	91715-0007	CCT 6	a c d e f		OPEN	OPEN	NONE	BLUE	
91716-2028	91715-0007	CCT 1,2,3,4,6	a c f		OPEN	OPEN	NONE	NONE	
91716-2029	91715-0007	CCT 4	a		OPEN	OPEN	NONE	RED	
91716-2030	93473-0307	NONE	ALL		OPEN	OPEN	3&4	NONE	LOCKING RETENTION FEATURE
91716-2031	91715-0307	NONE	ALL		OPEN	OPEN	3&4	NONE	

7 CIRCUIT									
PART NUMBER	HOUSING USED	TERMINAL VOID POSITION	REMOVED POSITION KEYS	CONFIGURATION	FIRST ENDWALL	LAST ENDWALL	POLARIZING RIB BETWEEN	COLOUR STRIPE	
91716-2032	93473-0007	NONE	NONE		OPEN	OPEN	NONE	NONE	LOCKING RETENTION FEATURE
91716-2033	91715-0627	NONE	NONE		CLOSED	CLOSED	6&7	NONE	

PRE-RELEASE REFERENCE USE ONLY

- NOTES
- + DENOTES TERMINAL VOIDED POSITION
 - ⊕ DENOTES TERMINAL LOADED POSITION
 - | DENOTES POLARIZING RIB POSITION
 - MOLEX HOUSING NO. FOR REFERENCE ONLY

THIS DRAWING CONTAINS INFORMATION THAT IS PROPRIETARY TO MOLEX ELECTRONIC TECHNOLOGIES, LLC AND SHOULD NOT BE USED WITHOUT WRITTEN PERMISSION

NX - RELEASE EC NO: 105095 DRWN: CFISHER01 CHKD: CMONAHAN REV / APPR:	2016/05/06	2016/06/12	GENERAL TOLERANCES (UNLESS SPECIFIED)	DIMENSION UNITS	SCALE		
			4 PLACES ±	MM	DRWN BY DATE		APPLI-MATE 2.5 FEMALE (MATL: NYLON PA6)
			3 PLACES ± 0.05	ANGULAR TOL ± 0.5 °	CFISHER01 2016/05/06		
			2 PLACES ± 0.1	CHKD BY DATE	CMONAHAN 2016/06/12		PRODUCT CUSTOMER DRAWING
		1 PLACE ± 0.2	APPR BY DATE	SERIES MATERIAL NUMBER CUSTOMER			
		0 PLACES ±	DRAFT WHERE APPLICABLE MUST REMAIN WITHIN DIMENSIONS	DRAWING SIZE	THIRD ANGLE PROJECTION	91716 SEE CHARTS	
A	A	A	A2	A2	PSD	917160001 000 7 OF 10	

8 CIRCUIT

PART NUMBER	HOUSING USED	TERMINAL VOID POSITION	REMOVED POSITION KEYS	CONFIGURATION	FIRST ENDWALL	LAST ENDWALL	POLARIZING RIB BETWEEN	COLOUR STRIPE
91716-2501	91715-0008	NONE	NONE		OPEN	OPEN	NONE	NONE
91716-2502	91715-0308	NONE	NONE		OPEN	OPEN	3&4	NONE
91716-2503	91715-0008	NONE	cfhi		OPEN	OPEN	NONE	NONE
91716-2504	91715-0008	NONE	bcdhi		OPEN	OPEN	NONE	NONE
91716-2505	91715-0008	NONE	bcgh		OPEN	OPEN	NONE	BLUE
91716-2506	91715-0008	NONE	cf		OPEN	OPEN	NONE	NONE
91716-2507	91715-0008	NONE	cfhi		OPEN	OPEN	NONE	BLUE
91716-2508	91715-0008	NONE	NONE		OPEN	OPEN	NONE	BLUE
91716-2509	91715-0008	NONE	acdeg		OPEN	OPEN	NONE	BLUE
91716-2510	91715-0008	NONE	cd		OPEN	OPEN	NONE	BLUE
91716-2511	91715-0008	NONE	NONE		OPEN	OPEN	NONE	BLACK
91716-2512	91715-0008	NONE	cfhi		OPEN	OPEN	NONE	BLACK
91716-2513	91715-0008	NONE	cdgh		OPEN	OPEN	NONE	NONE
91716-2514	91715-0008	NONE	acdefghi		OPEN	OPEN	NONE	BLUE
91716-2515	91715-0008	NONE	abdfhi		OPEN	OPEN	NONE	NONE
91716-2516	91715-0008	NONE	bcdhi		OPEN	OPEN	NONE	BLUE
91716-2517	91715-2008	NONE	NONE		OPEN	OPEN	1&2, 7&8	NONE
91716-2518	91715-0008	NONE	bcdfhi		OPEN	OPEN	NONE	NONE
91716-2519	91715-0008	NONE	acefhi		OPEN	OPEN	NONE	NONE
91716-2520	91715-0008	NONE	ALL		OPEN	OPEN	NONE	NONE
91716-2521	91715-0008	CCT 7 & 8	abdfhi		OPEN	OPEN	NONE	NONE
91716-2522	91715-0008	NONE	bcdfhi		OPEN	OPEN	NONE	BLUE

9 CIRCUIT

PART NUMBER	HOUSING USED	TERMINAL VOID POSITION	REMOVED POSITION KEYS	CONFIGURATION	FIRST ENDWALL	LAST ENDWALL	POLARIZING RIB BETWEEN	COLOUR STRIPE
91716-3001	91715-0009	NONE	NONE		OPEN	OPEN	NONE	NONE
91716-3002	91715-0409	NONE	NONE		OPEN	OPEN	4&5	NONE
91716-3003	91715-0009	CCT 2,5,8	NONE		OPEN	OPEN	NONE	NONE
91716-3004	91715-0209	NONE	NONE		OPEN	OPEN	2&3	NONE
91716-3005	91715-0009	CCT 2,5,8	bcegi		OPEN	OPEN	NONE	GREEN
91716-3006	91715-0009	CCT 2,5,8	NONE		OPEN	OPEN	NONE	GREEN
91716-3007	91715-0009	CCT 2,5,8	bcefgij		OPEN	OPEN	NONE	GREEN
91716-3008	91715-0009	CCT 2,5,8	bcefgi		OPEN	OPEN	NONE	GREEN
91716-3009	91715-0009	CCT 2,5,7	cg		OPEN	OPEN	NONE	NONE
91716-3010	91715-0009	CCT 2,5,8	bchi		OPEN	OPEN	NONE	NONE
91716-3011	91715-0709	NONE	NONE		OPEN	OPEN	7&8	NONE
91716-3012	91715-0509	NONE	NONE		OPEN	OPEN	5&6	NONE
91716-3013	91715-0029	NONE	NONE		CLOSED	CLOSED	NONE	NONE

PRE-RELEASE
REFERENCE
USE ONLY

NOTES

- + DENOTES TERMINAL VOIDED POSITION
⊕ DENOTES TERMINAL LOADED POSITION
| DENOTES POLARIZING RIB POSITION
- MOLEX HOUSING NO. FOR REFERENCE ONLY

THIS DRAWING CONTAINS INFORMATION THAT IS PROPRIETARY TO MOLEX ELECTRONIC TECHNOLOGIES, LLC AND SHOULD NOT BE USED WITHOUT WRITTEN PERMISSION													
NX - RELEASE EC NO: 105095 DRWN: CFISHER01 CHKD: CMONAHAN REV APPR:	2016/05/06	2016/06/12	GENERAL TOLERANCES (UNLESS SPECIFIED)		DIMENSION UNITS	SCALE							
					MM								
					ANGULAR TOL ± 0.5 °		DRWN BY DATE		CFISHER01 2016/05/06		APPLI-MATE 2.5 FEMALE (MATL: NYLON PA6)		
					4 PLACES ±		CHK'D BY DATE		CMONAHAN 2016/06/12				
					3 PLACES ± 0.05		APPR BY DATE		PRODUCT CUSTOMER DRAWING				
				2 PLACES ± 0.1		DRAWING SIZE		THIRD ANGLE PROJECTION		SERIES	MATERIAL NUMBER	CUSTOMER	
				1 PLACE ± 0.2		A2				91716	SEE CHARTS		
				0 PLACES ±		DRAFT WHERE APPLICABLE MUST REMAIN WITHIN DIMENSIONS				DOCUMENT NUMBER	DOC TYPE	DOC PART	SHEET NUMBER
										917160001	PSD	000	8 OF 10

10 CIRCUIT

PART NUMBER	HOUSING USED	TERMINAL VOID POSITION	REMOVED POSITION KEYS	CONFIGURATION	FIRST ENDWALL	LAST ENDWALL	POLARIZING RIB BETWEEN	COLOUR STRIPE
91716-3501	91715-0010	NONE	NONE		OPEN	OPEN	NONE	NONE
91716-3502	91715-0210	NONE	ALL		OPEN	OPEN	2&3	NONE
91716-3503	91715-0010	Cct 2,5,7,9	NONE		OPEN	OPEN	NONE	NONE
91716-3504	91715-0410	NONE	NONE		OPEN	OPEN	4&5	NONE

11 CIRCUIT

PART NUMBER	HOUSING USED	TERMINAL VOID POSITION	REMOVED POSITION KEYS	CONFIGURATION	FIRST ENDWALL	LAST ENDWALL	POLARIZING RIB BETWEEN	COLOUR STRIPE
91716-4001	91715-0011	NONE	NONE		OPEN	OPEN	NONE	NONE
91716-4002	91715-0031	NONE	NONE		CLOSED	CLOSED	NONE	NONE
91716-4003	91715-0511	NONE	NONE		OPEN	OPEN	5&6	NONE
91716-4004	91715-1031	NONE	NONE		CLOSED	CLOSED	10&11	NONE
91716-4005	91715-1011	NONE	NONE		OPEN	OPEN	10&11	NONE

12 CIRCUIT

PART NUMBER	HOUSING USED	TERMINAL VOID POSITION	REMOVED POSITION KEYS	CONFIGURATION	FIRST ENDWALL	LAST ENDWALL	POLARIZING RIB BETWEEN	COLOUR STRIPE
91716-4501	91715-0012	NONE	NONE		OPEN	OPEN	NONE	NONE
91716-4502	91715-0012	CCT 2,5,8,11	bcdeijkl		OPEN	OPEN	NONE	GREEN
91716-4503	91715-0012	CCT 2,5,8,11	NONE		OPEN	OPEN	NONE	GREEN
91716-4504	91715-0012	CCT 2,5,8,11	acdeghiklm		OPEN	OPEN	NONE	GREEN
91716-4505	91715-0012	CCT 2,5,8,11	cdeghiklm		OPEN	OPEN	NONE	GREEN

13 CIRCUIT

PART NUMBER	HOUSING USED	TERMINAL VOID POSITION	REMOVED POSITION KEYS	CONFIGURATION	FIRST ENDWALL	LAST ENDWALL	POLARIZING RIB BETWEEN	COLOUR STRIPE
91716-5001	91715-0013	NONE	NONE		OPEN	OPEN	NONE	NONE
91716-5002	91715-0013	CCT 4,6,8,10,12	NONE		OPEN	OPEN	NONE	NONE
91716-5003	91715-0013	NONE	cfhikl		OPEN	OPEN	NONE	NONE

14 CIRCUIT

PART NUMBER	HOUSING USED	TERMINAL VOID POSITION	REMOVED POSITION KEYS	CONFIGURATION	FIRST ENDWALL	LAST ENDWALL	POLARIZING RIB BETWEEN	COLOUR STRIPE
91716-5501	91715-0014	NONE	NONE		OPEN	OPEN	NONE	NONE

15 CIRCUIT

PART NUMBER	HOUSING USED	TERMINAL VOID POSITION	REMOVED POSITION KEYS	CONFIGURATION	FIRST ENDWALL	LAST ENDWALL	POLARIZING RIB BETWEEN	COLOUR STRIPE
91716-6001	91715-0015	NONE	NONE		OPEN	OPEN	NONE	NONE
91716-6002	91715-0015	CCT 4,6,8,10,12,14	op		OPEN	OPEN	NONE	NONE
91716-6003	91715-0515	NONE	ap		OPEN	OPEN	5&6	NONE

PRE-RELEASE
REFERENCE
USE ONLY

NOTES

- + DENOTES TERMINAL VOIDED POSITION
⊕ DENOTES TERMINAL LOADED POSITION
| DENOTES POLARIZING RIB POSITION
- MOLEX HOUSING NO. FOR REFERENCE ONLY

THIS DRAWING CONTAINS INFORMATION THAT IS PROPRIETARY TO MOLEX ELECTRONIC TECHNOLOGIES, LLC AND SHOULD NOT BE USED WITHOUT WRITTEN PERMISSION														
NX - RELEASE EC NO: 105095 DRWN: CFISHER01 CHKD: CMONAHAN REV APPR:	2016/05/06	2016/06/12	GENERAL TOLERANCES (UNLESS SPECIFIED)		DIMENSION UNITS	SCALE								
					MM									
					ANGULAR TOL ± 0.5 °	DRWN BY	DATE	APPLI-MATE 2.5 FEMALE (MATL: NYLON PA6)						
					4 PLACES ±	CFISHER01	2016/05/06							
				3 PLACES ± 0.05	CHK'D BY	DATE	PRODUCT CUSTOMER DRAWING							
				2 PLACES ± 0.1	CMONAHAN	2016/06/12								
				1 PLACE ± 0.2	APPR BY	DATE	SERIES	MATERIAL NUMBER	CUSTOMER					
				0 PLACES ±			91716	SEE CHARTS			DOCUMENT NUMBER	DOC TYPE	DOC PART	SHEET NUMBER
A					DRAWING SIZE	THIRD ANGLE PROJECTION	917160001		PSD	000	9 OF 10			

16 CIRCUIT

PART NUMBER	HOUSING USED	TERMINAL VOID POITION	REMOVED POSITION KEYS	CONFIGURATION	FIRST ENDWALL	LAST ENDWALL	POLARIZING RIB BETWEEN	COLOUR STRIPE
91716-6501	91716-0016	NONE	NONE		OPEN	OPEN	NONE	NONE

17 CIRCUIT

PART NUMBER	HOUSING USED	TERMINAL VOID POITION	REMOVED POSITION KEYS	CONFIGURATION	FIRST ENDWALL	LAST ENDWALL	POLARIZING RIB BETWEEN	COLOUR STRIPE
91716-7001	91715-0017	NONE	NONE		OPEN	OPEN	NONE	NONE

18 CIRCUIT

PART NUMBER	HOUSING USED	TERMINAL VOID POITION	REMOVED POSITION KEYS	CONFIGURATION	FIRST ENDWALL	LAST ENDWALL	POLARIZING RIB BETWEEN	COLOUR STRIPE
91716-7501	91715-0018	NONE	NONE		OPEN	OPEN	NONE	NONE

19 CIRCUIT

PART NUMBER	HOUSING USED	TERMINAL VOID POITION	REMOVED POSITION KEYS	CONFIGURATION	FIRST ENDWALL	LAST ENDWALL	POLARIZING RIB BETWEEN	COLOUR STRIPE
91716-8001	91715-0019	NONE	NONE		OPEN	OPEN	NONE	NONE

20 CIRCUIT

PART NUMBER	HOUSING USED	TERMINAL VOID POITION	REMOVED POSITION KEYS	CONFIGURATION	FIRST ENDWALL	LAST ENDWALL	POLARIZING RIB BETWEEN	COLOUR STRIPE
91716-8501	91715-0020	NONE	NONE		OPEN	OPEN	NONE	NONE

PRE-RELEASE
REFERENCE
USE ONLY

NOTES

- + DENOTES TERMINAL VOIDED POSITION
⊕ DENOTES TERMINAL LOADED POSITION
| DENOTES POLARIZING RIB POSITION
- MOLEX HOUSING NO. FOR REFERENCE ONLY

THIS DRAWING CONTAINS INFORMATION THAT IS PROPRIETARY TO MOLEX ELECTRONIC TECHNOLOGIES, LLC AND SHOULD NOT BE USED WITHOUT WRITTEN PERMISSION														
NX - RELEASE EC NO: 105095 DRWN: CFISHER01 CHKD: CMONAHAN REV: APPR:	2016/05/06	GENERAL TOLERANCES (UNLESS SPECIFIED)		DIMENSION UNITS	SCALE									
	2016/06/12	ANGULAR TOL ± 0.5 °		MM										
		4 PLACES ±	DRWN BY	DATE	CFISHER01		2016/05/06		APPLI-MATE 2.5 FEMALE (MATL: NYLON PA6)					
		3 PLACES ± 0.05	CHK'D BY	DATE	CMONAHAN		2016/06/12							
		2 PLACES ± 0.1	APPR BY	DATE										
	1 PLACE ± 0.2	DRAFT WHERE APPLICABLE MUST REMAIN WITHIN DIMENSIONS		DRAWING SIZE	THIRD ANGLE PROJECTION	PRODUCT CUSTOMER DRAWING		SERIES	MATERIAL NUMBER	CUSTOMER				
	0 PLACES ±			A2		91716		SEE CHARTS						
A						DOCUMENT NUMBER		917160001	DOC TYPE	PSD	DOC PART	000	SHEET NUMBER	10 OF 10