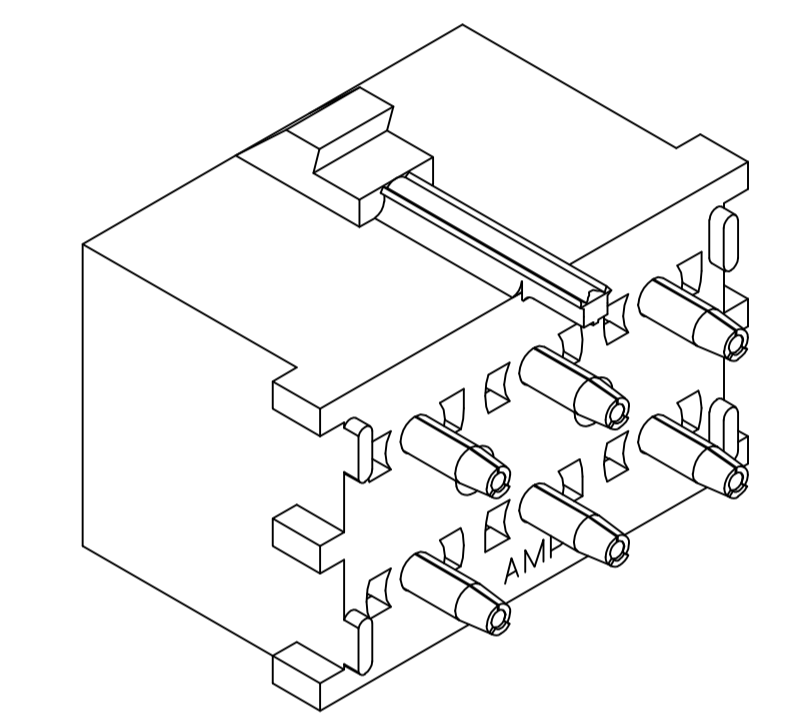
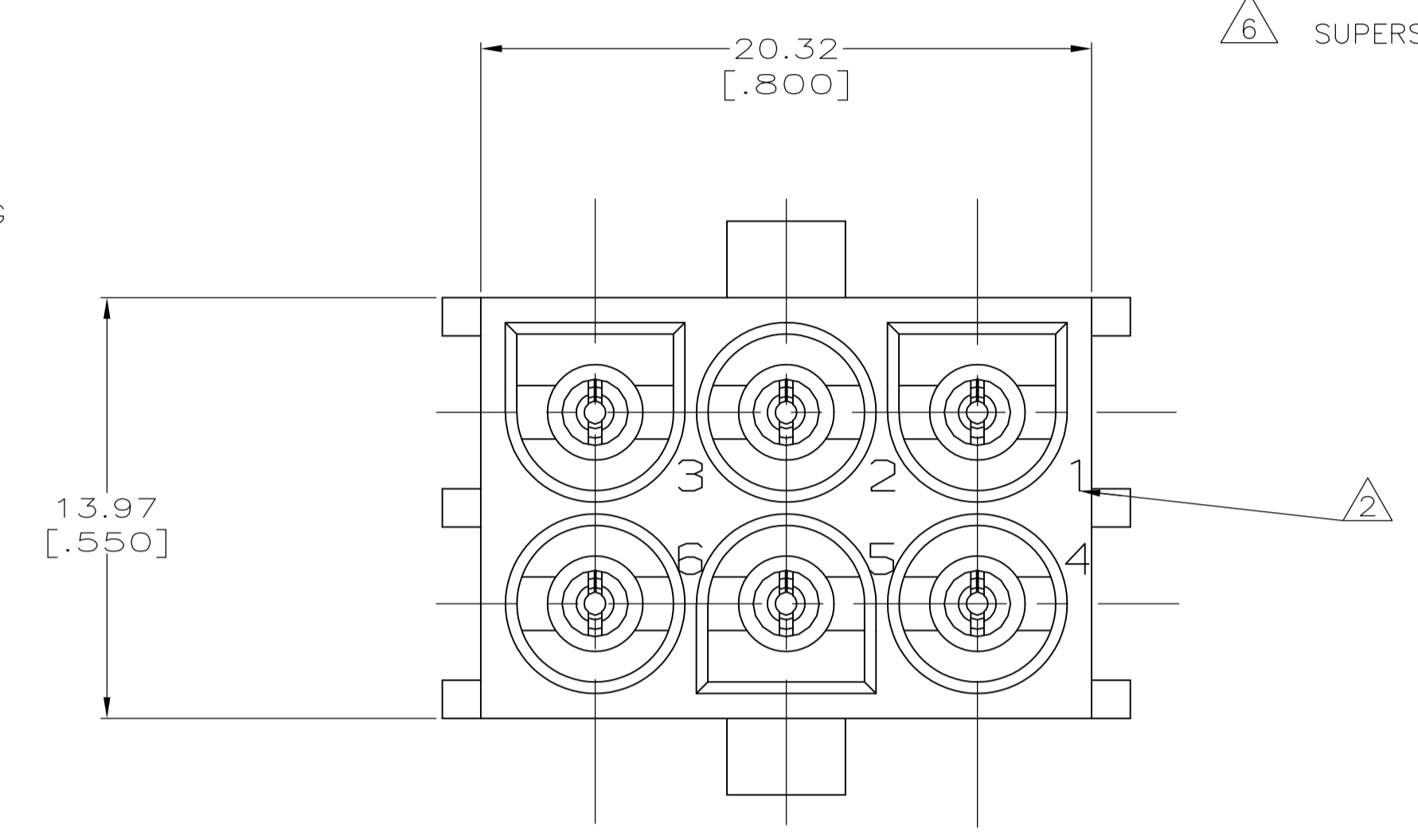
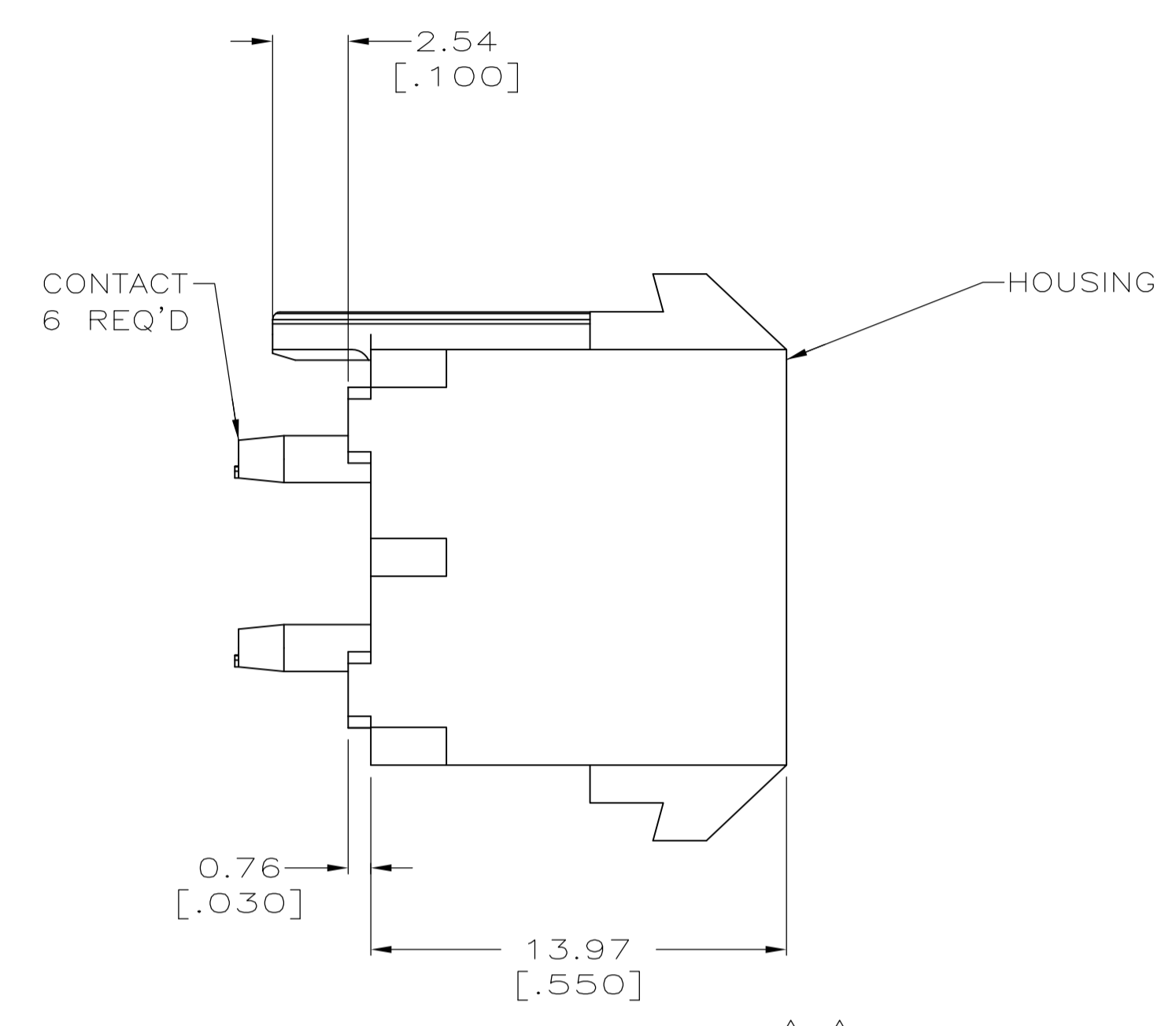
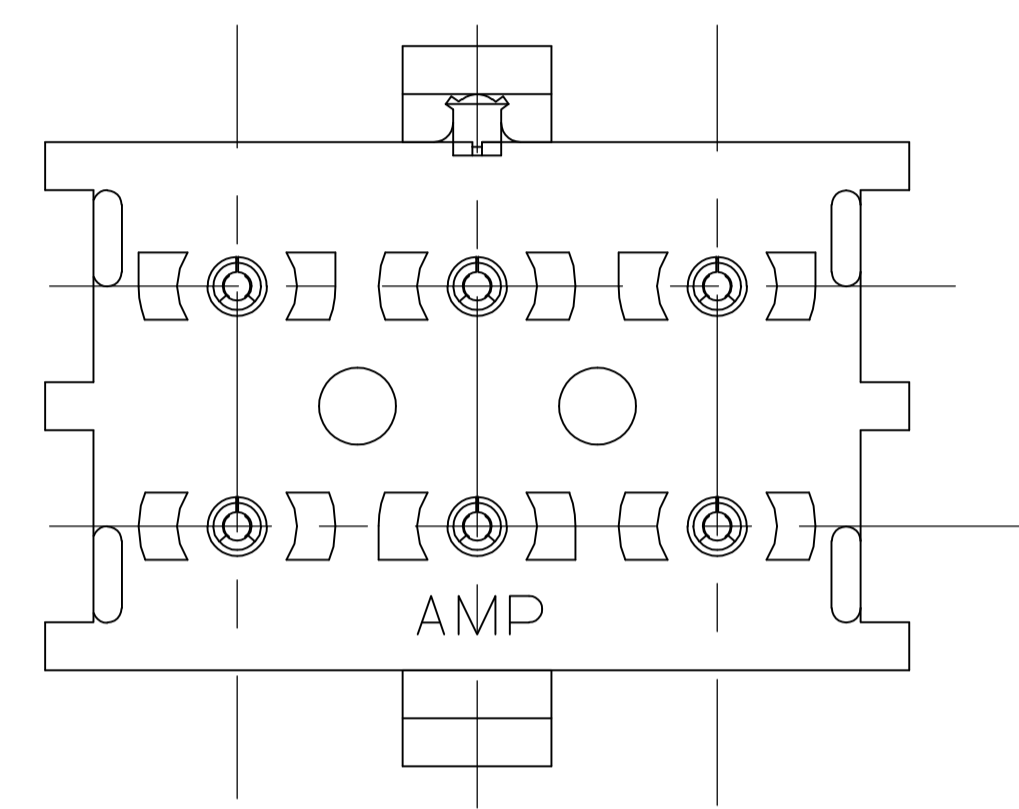
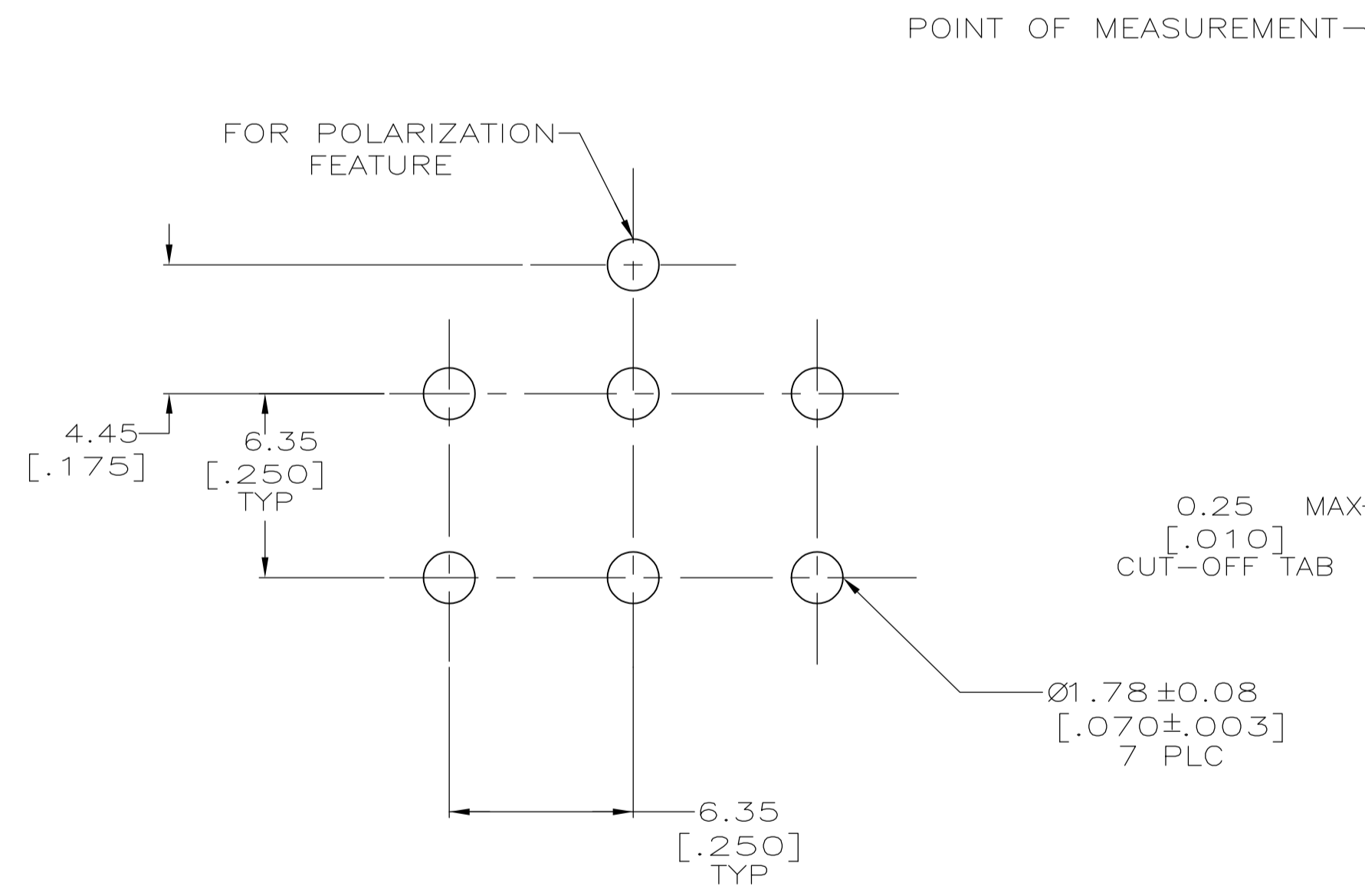


LOC		DIST		REVISIONS			
CM	00	REV	DATE	BY	CHK	APPV	
R1	REVISED PER ECR-12-011660		31JAN13	KH	TM		

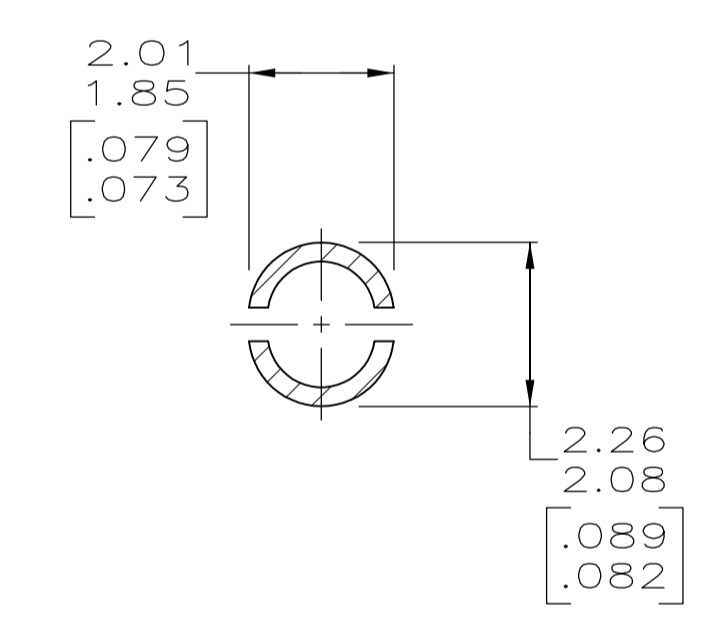
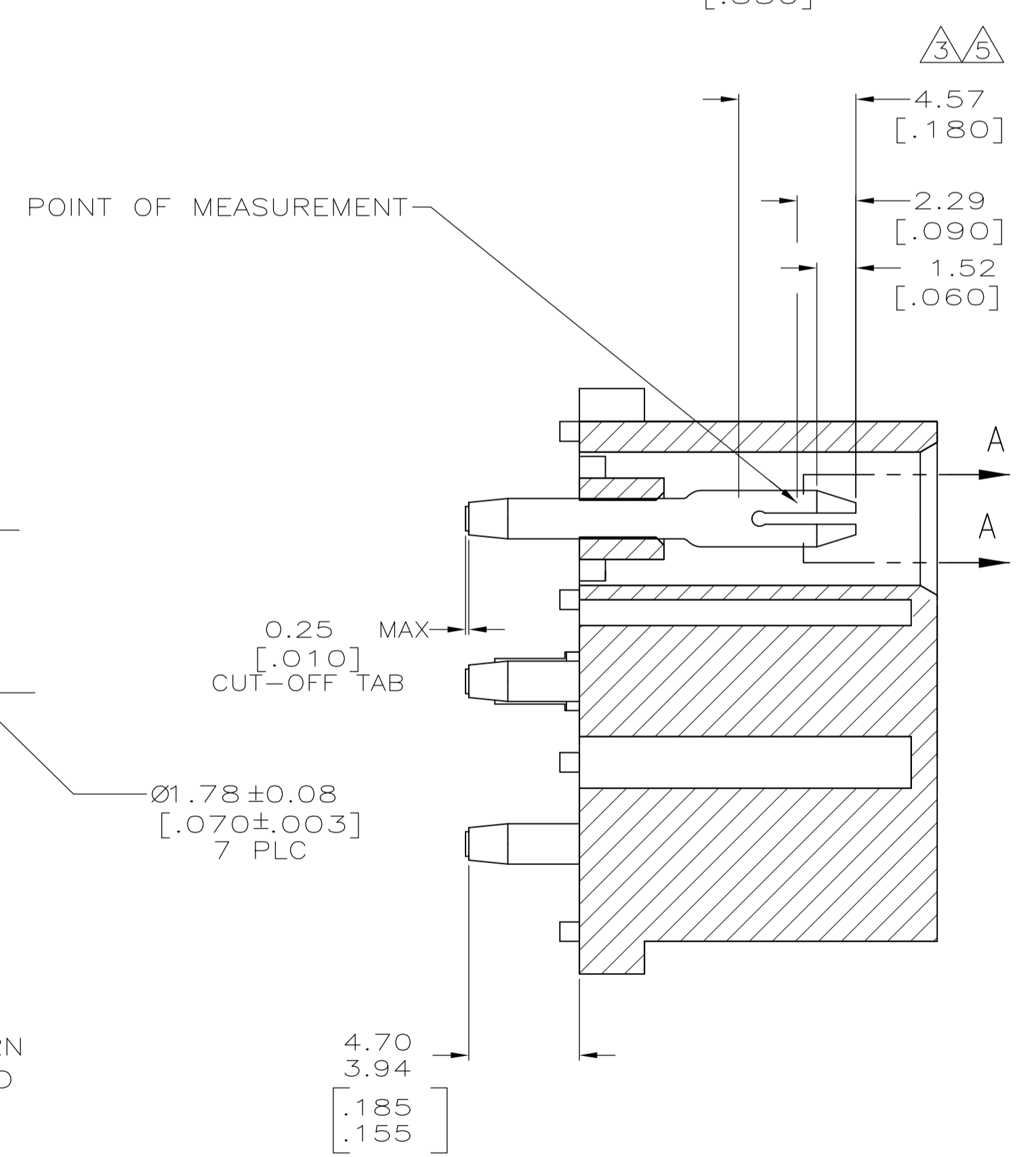
- 1 PARTS COMPLY WITH AMP SOLDERABILITY SPECIFICATION 109-11-3.
- 2 CIRCUIT IDENTIFICATION CHARACTERS ARE ADJACENT TO THE INDICATED CAVITIES, BUT LOCATION AND ORIENTATION MAY DIFFER FROM PRINT.
- 3 CONTACT IS PLATED OVERALL WITH 0.00127 [.000050] NICKEL, THEN 0.00076 [.000030] GOLD OVER CONTACT LENGTH INDICATED AND MATTE TIN LEAD ON SOLDERTAIL END.
- 4 DIMENSIONS IN BRACKETS ARE IN INCHES.
- 5 CONTACT IS PLATED OVERALL WITH 0.00127 [.000050] NICKEL, THEN 0.00076 [.000030] GOLD OVER CONTACT LENGTH INDICATED AND MATTE TIN ON SOLDERTAIL END.
- 6 SUPERSEDED BY 641970-3



3-DIMENSIONAL MODEL NTS



RECOMMENDED MOUNTING HOLE PATTERN FOR 1.57 [.062] THICK P.C. BOARD



SECTION A-A SCALE 10:1

MATERIAL	FINISH	MATERIAL	COLOR	PART NO
PH BRZ	GOLD PLATED	NYLON, UL94V-0	WHITE	641970-3
PH BRZ	TIN PLATED	NYLON, UL94V-0	BLACK	1-641970-1
PH BRZ	GOLD PLATED	NYLON, UL94V-0	WHITE	641970-2
PH BRZ	TIN PLATED	NYLON, UL94V-0	WHITE	641970-1

THIS DRAWING IS A CONTROLLED DOCUMENT.

DIMENSIONS: mm [INCHES]	TOLERANCES UNLESS OTHERWISE SPECIFIED:	DIN 8-27-97	TE Connectivity
0 PLC ± -	1 PLC ± -	8-27-97	
2 PLC ± -	3 PLC ± 0.13 [.005]	8-27-97	
4 PLC ± -	ANGLES ± -		PIN HEADER ASSEMBLY, POLARIZED, 6 CIRCUIT, UNIVERSAL MATE-N-LOK™
MATERIAL SEE TABLE	FINISH SEE TABLE	WEIGHT -	SIZE: A1 00779 C=641970 CUSTOMER DRAWING SCALE: 5:1 SHEET 1 OF 1 REV R1