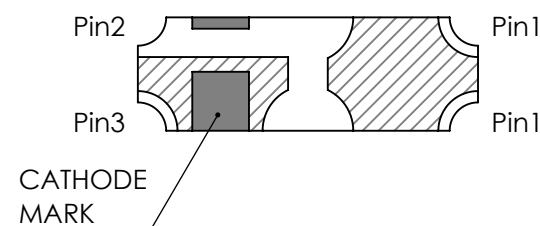
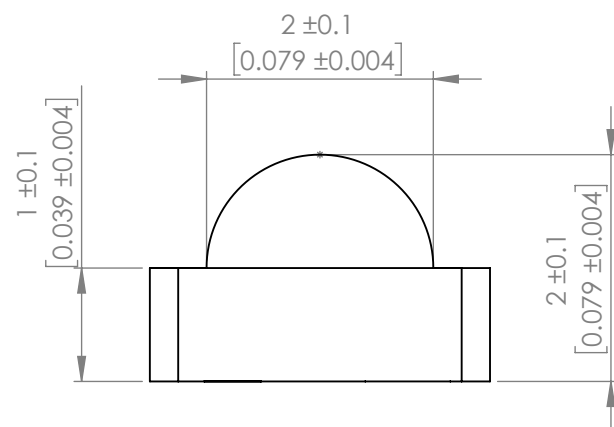
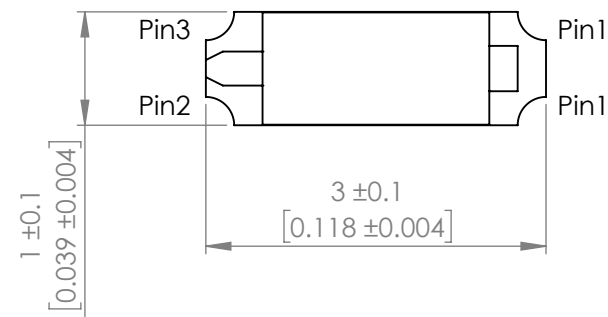
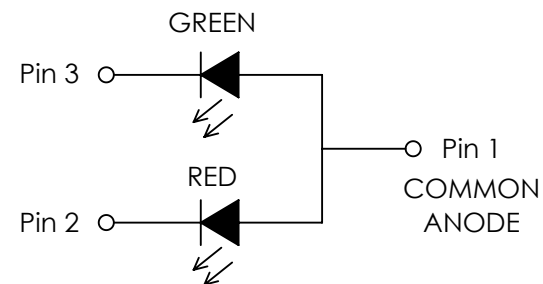


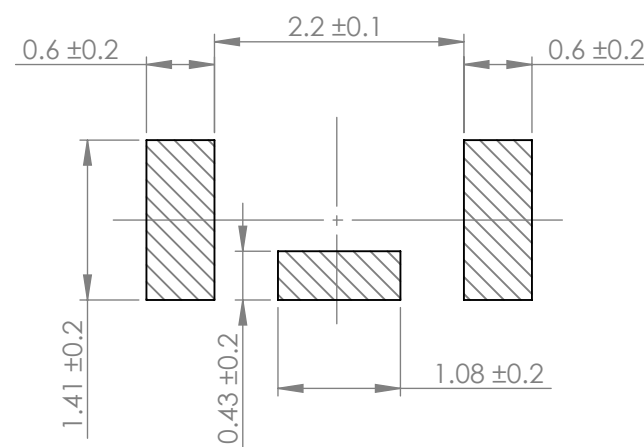
<b>PART NUMBER</b>	SML-LXR851SGSIC-TR	<b>REV</b>	F
<b>REV</b>	<b>E.C.N. NUMBER AND REVISION COMMENTS</b>	<b>DATE</b>	
A	E.C.N #10967.	09.07.04	
B	E.C.N #11148.	08.25.06	
C	E.C.N #11710 / #10BRDR. & REDRAWN	05.16.11	
D	E.C.N #11919.	07.30.14	
E	E.C.N #11966.	07.06.15	
F	ECN-Lumex201700021	06.02.17	



**POLARITY**



**RECOMMENDED SOLDER PAD LAYOUT**



**ELECTRO-OPTICAL CHARACTERISTIC TA=25°C**

PARAMETER	MIN	TYP	MAX	UNITS	TEST COND
PEAK WAELENGHT	G	-	565	-	nm If=2mA
	R	-	636	-	
FORWARD VOLTAGE	G	-	2.0	2.4	Vf If=2mA
	R	-	2.0	2.4	
REVERSE VOLTAGE	-	-	5	Vr	Ir=10uA
LUMINOUS INTENSITY	G	-	19	-	mcd If=2mA
	R	-	46	-	
VIEWING ANGLE	-	120	-	2x theta1/2	-
EMITTED COLOR	GREEN / RED				
EPOXY LENS FINISH	WATER CLEAR				

**ABSOLUTE MAXIMUM RATINGS TA=25°C**

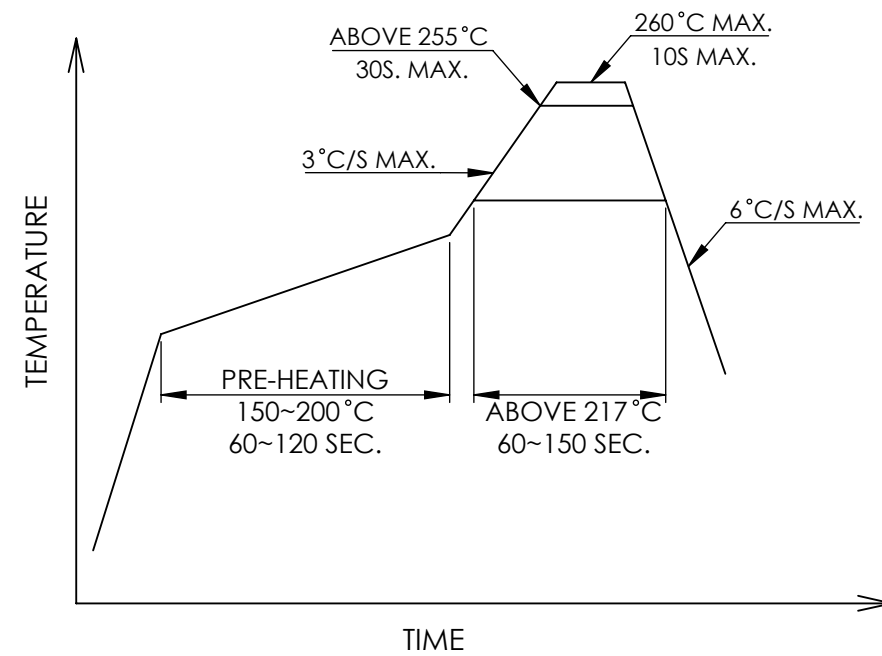
PARAMETER	MAX	UNITS
PEAK FORWARD CURRENT(G/R)*	60 / 60	mA
FORWARD CURRENT(G/R)	25 / 25	mA
POWER DISIPATION(G/R)	60 / 60	mW
STORAGE TEMPERATURE	-40 TO +90	°C
OPERATING TEMPERATURE	-40 TO +85	°C

\*t<10us

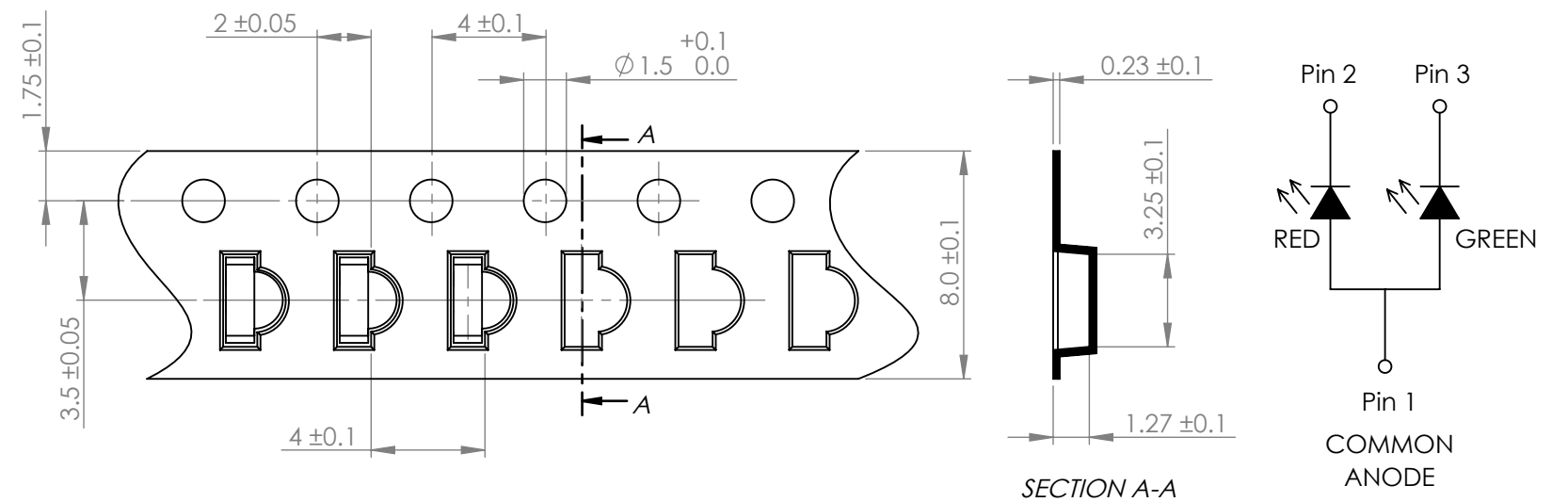
CAUTION : MOISTURE SENSITIVE DEVICE  
PER JEDEC LEVEL 3 STANDARDS

\*UNLESS OTHERWISE SPECIFIED TOLERANCES PER DECIMAL PRECISION ARE: X=±1 (±0.039), X.X=±0.5 (±0.020), X.XX=±0.25 (±0.010), X.XXX=±0.127 (±0.005). LEAD SIZE=±0.05 (±0.002), LEAD LENGTH=±0.75 (±0.030). MIN= <sup>+DECIMAL PRECISION</sup> / <sub>-0.00</sub> MAX= <sup>+0.00</sup> / <sub>-DECIMAL PRECISION</sub>

**PROFILE**



**CARRIER TAPE DIMENSION**



\*UNLESS OTHERWISE SPECIFIED TOLERANCES PER DECIMAL PRECISION ARE: X=±1 (±0.039), X.X=±0.5 (±0.020), X.XX=±0.25 (±0.010), X.XXX=±0.127 (±0.005). LEAD SIZE=±0.05 (±0.002), LEAD LENGTH=±0.75 (±0.030). MIN= <sup>+DECIMAL PRECISION</sup> / <sub>-0.00</sub> MAX.= <sup>+0.00</sup> / <sub>-DECIMAL PRECISION</sub>



425 N. GARY AVE.  
 CAROL STREAM, IL 60188  
 PHONE : 800-278-5666  
 FAX : 630-315-2150  
 WEB : WWW.LUMEX.COM

1(L)\*3(W)\*2(H)mm, SURFACE MOUNT SIDE VIEW LED, GREEN / RED LED, WATER CLEAR LENS, TAPE & REEL

\*\*THE SPECIFICATIONS MAY CHANGE AT ANY TIME WITHOUT NOTICE DUE TO NEW MATERIALS OR PRODUCT IMPROVEMENT.\*\*

CONFIDENTIAL INFORMATION  
 THE INFORMATION CONTAINED IN THIS DOCUMENT IS THE PROPERTY OF LUMEX INC. EXCEPT AS SPECIFICALLY AUTHORIZED IN WRITING BY LUMEX INC., THE HOLDER OF THIS DOCUMENT SHALL KEEP ALL INFORMATION CONTAINED HEREIN CONFIDENTIAL AND SHALL PROTECT SAME IN WHOLE OR IN PART FROM DISCLOSURE AND DISSEMINATION TO ALL THIRD PARTIES.

DATE : 2017.06.02

DRAWN BY : C.C.

PAGE : 2 OF 2

CHKD BY : G.Y.

SCALE : NTF

APRVD BY : R.C.

UNIT : mm [INCH]

Pb