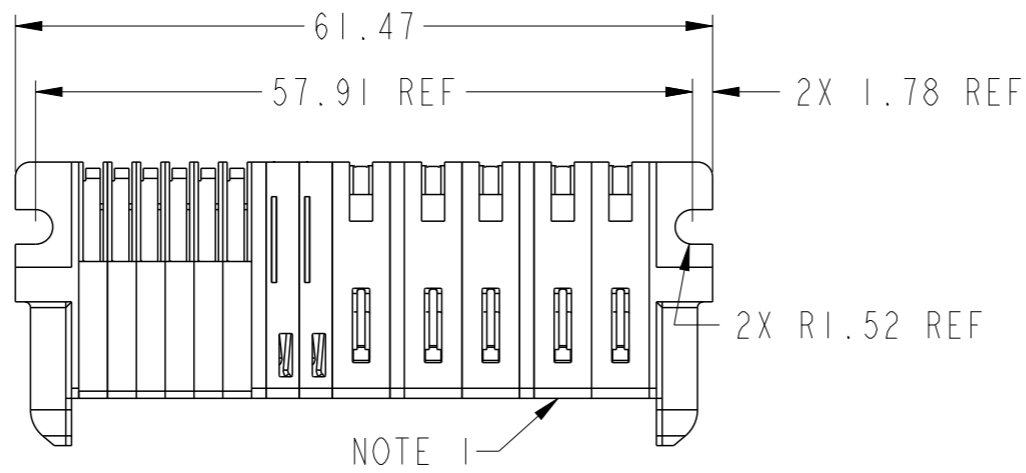
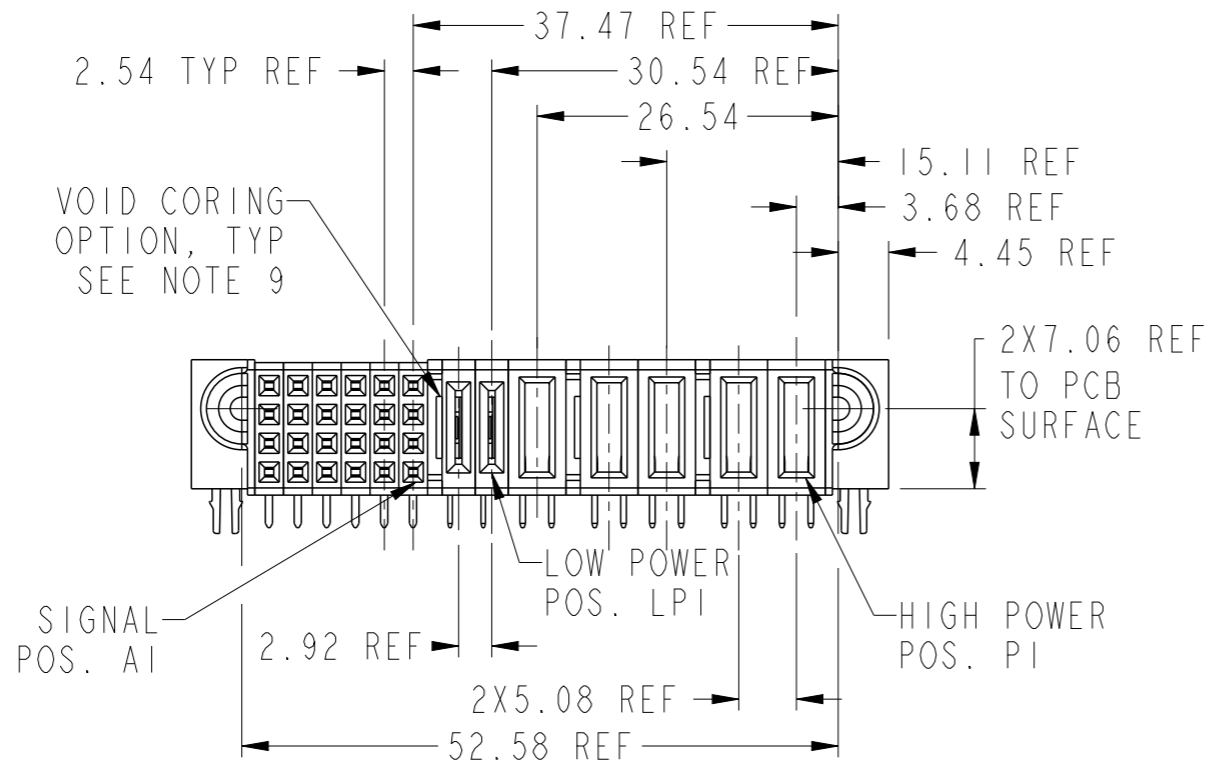


PRODUCT NUMBER SEE SHEET 2



NOTE 1

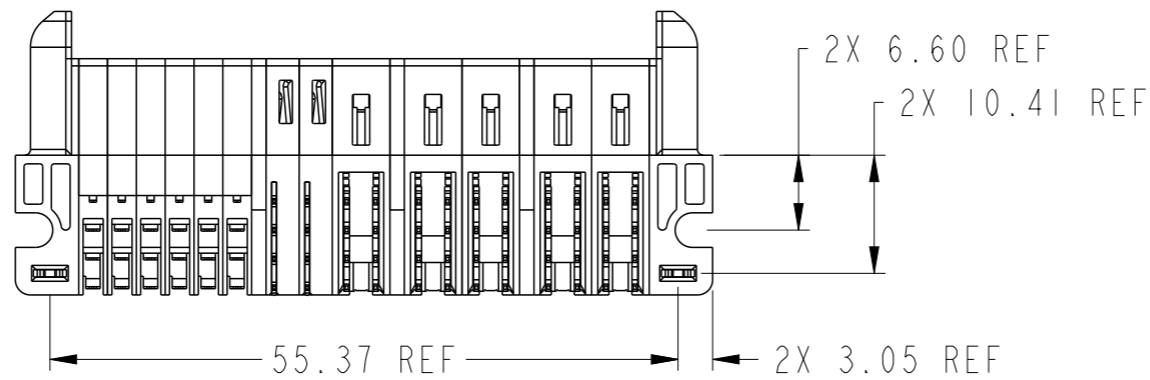
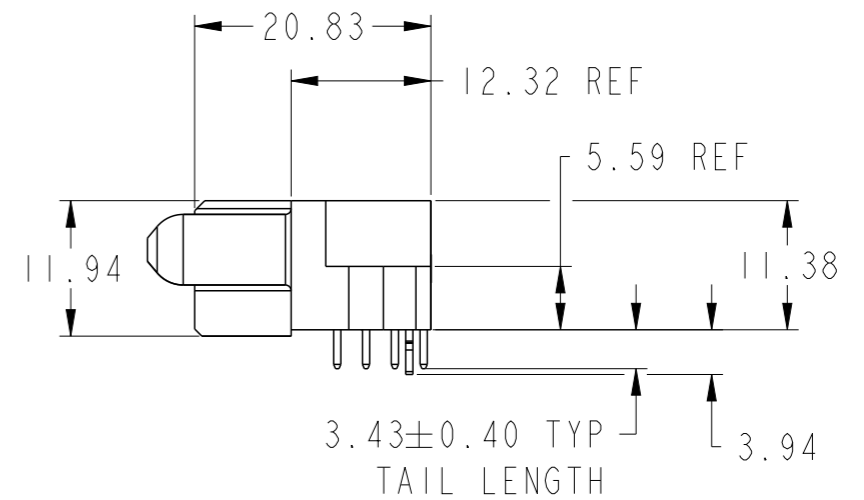


VOID CORING OPTION, TYP SEE NOTE 9

SIGNAL POS. AI

LOW POWER POS. LPI

HIGH POWER POS. PI



spec ref	*		
tolerance std	ASME Y14.5	TOLERANCES UNLESS OTHERWISE SPECIFIED	
surface	linear	0.X	±0.5
		0.XX	±0.25
		0.XXX	±0.10
ASME Y14.5	angular	0°	±2°

dr	Eddy Zeng	2014/03/03
eng	Eddy Zeng	2014/03/06
chr	Li-He	2014/03/06
appr	Pei-Ming Zheng	2014/03/06

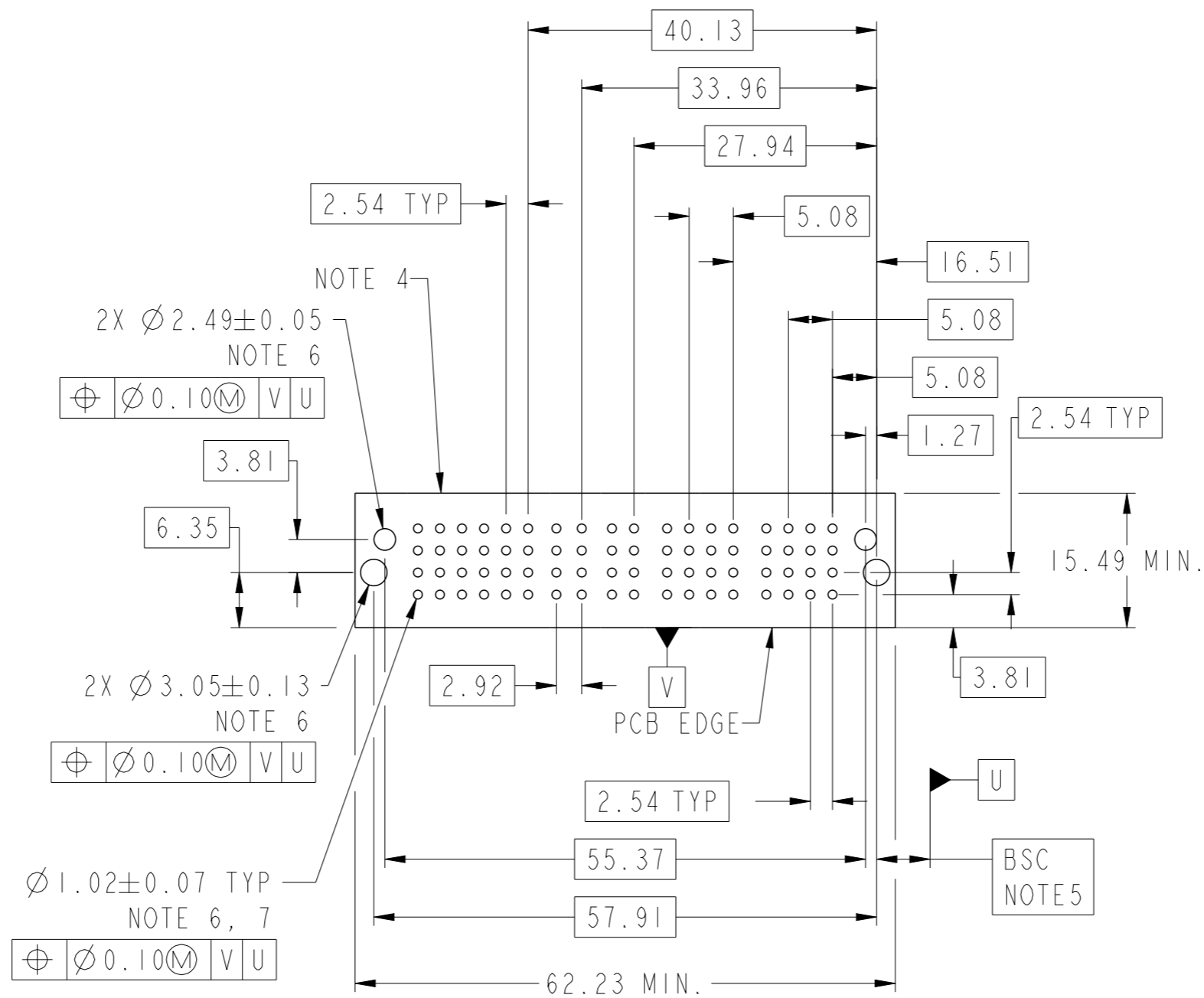
projection	MM	size	A3	scale	3:2
product family	PwrBlade+	rel level	Released		
cat. no.	5HP + 2LP + 24S RA STB RECEPTACLE	dwg no	10106264-5206001		
Product - Customer Drw	sheet 1 of 3		rev A		



Copyright FCI.

PRODUCT NO.	ROWS	SIGNAL					LP		HIGH POWER					E2
		E1	6	5	4	3	2	1	P7	P6	P5	P4	P3	
10106264-5206001LF	D C B A	HHHHHH GGGGGG FFFFFF EEEEEE					LRLR		H3 H3 H3 H3 H3					

CODE	DESCRIPTION
E	STD SIGNAL CONTACT, ROW A
F	STD SIGNAL CONTACT, ROW B
G	STD SIGNAL CONTACT, ROW C
H	STD SIGNAL CONTACT, ROW D
H3	STD HIGH POWER CONTACT(3.43)
HA	METAL HOLD DOWN
LR	STD LOW POWER CONTACT(3.43)



Copyright FCI.

dr	Eddy Zeng	2014/03/03	projection	MM	size	A3	scale	3:2
eng	Eddy Zeng	2014/03/06			ecn no		-	
chr	Li-He	2014/03/06			rel level		Released	
appr	Pei-Ming Zheng	2014/03/06	product family		PwrBlade+		-	
			5HP + 2LP + 24S			dwg no		10106264-5206001
www.fci.com			RA STB RECEPTACLE			rev		A
cat. no.			Product - Customer Drw			sheet 2 of 3		

NOTES:

- 1) "FCI", PART NUMBER AND DATE CODE TO BE MARKED ON THIS SURFACE.  
THE MARK CAN BE OMITTED IF THERE IS NOT ENOUGH SPACE ON THIS SURFACE.
- 2) MATERIALS:  
-HOUSING - GLASS FILLED WITH HIGH TEMP THERMOPLASTIC, UL94V-0.  
-SIGNAL CONTACT - COPPER ALLOY.  
-POWER CONTACT - HIGH CONDUCTIVITY COPPER ALLOY.
- 3) PLATING SPECIFICATION REFER TO FCI 10116351
- 4) DENOTES CONNECTOR KEEP OUT ZONE.
- 5) DATUM AND BASIC DIMENIONS WERE ESTABLISHED BY CUSTOMER.
- 6) ALL HOLE DIAMETERS ARE FINISHED HOLE SIZES.
- 7)  $1.15 \pm 0.025$ MM DRILLED HOLE PLATED WITH 0.00762MM MIN Sn  
OVER 0.0254-0.0762MM Cu PLATING TO ACHIEVE A  $1.02 \pm 0.07$ MM HOLE.
- 8) PRODUCT SPECIFICATION REFER TO FCI GS-12-658.  
APPLICATION SPECIFICATION REFER TO FCI GS-20-141.  
PRODUCT PACKAGED IN TRAYS, REFER TO FCI GS-14-1502.
- 9) THE VOID CORING IN BETWEEN POWER MODULES, SIGNAL  
MODULES AND END MODULES ARE OPTIONAL AND THE SHAPE  
MAY BE DIFFERENT FOR OPTIMIZE THE MOLDING PROCESS. THE  
VOID CORING WILL NOT EFFECT TO PRODUCT FUNCTION.



Copyright FCI.

dr	Eddy Zeng	2014/03/03	projection 	MM 	size	A3	scale	3:2
eng	Eddy Zeng	2014/03/06			ecn no	-		
chr	Li-He	2014/03/06			rel level	Released		
appr	Pei-Ming Zheng	2014/03/06	product family	PwrBlade+				
		title 5HP + 2LP + 24S RA STB RECEPTACLE		dwg no 10106264-5206001	rev A			
<a href="http://www.fci.com">www.fci.com</a>		cat. no.	Product - Customer Drw		sheet 3 of 3			