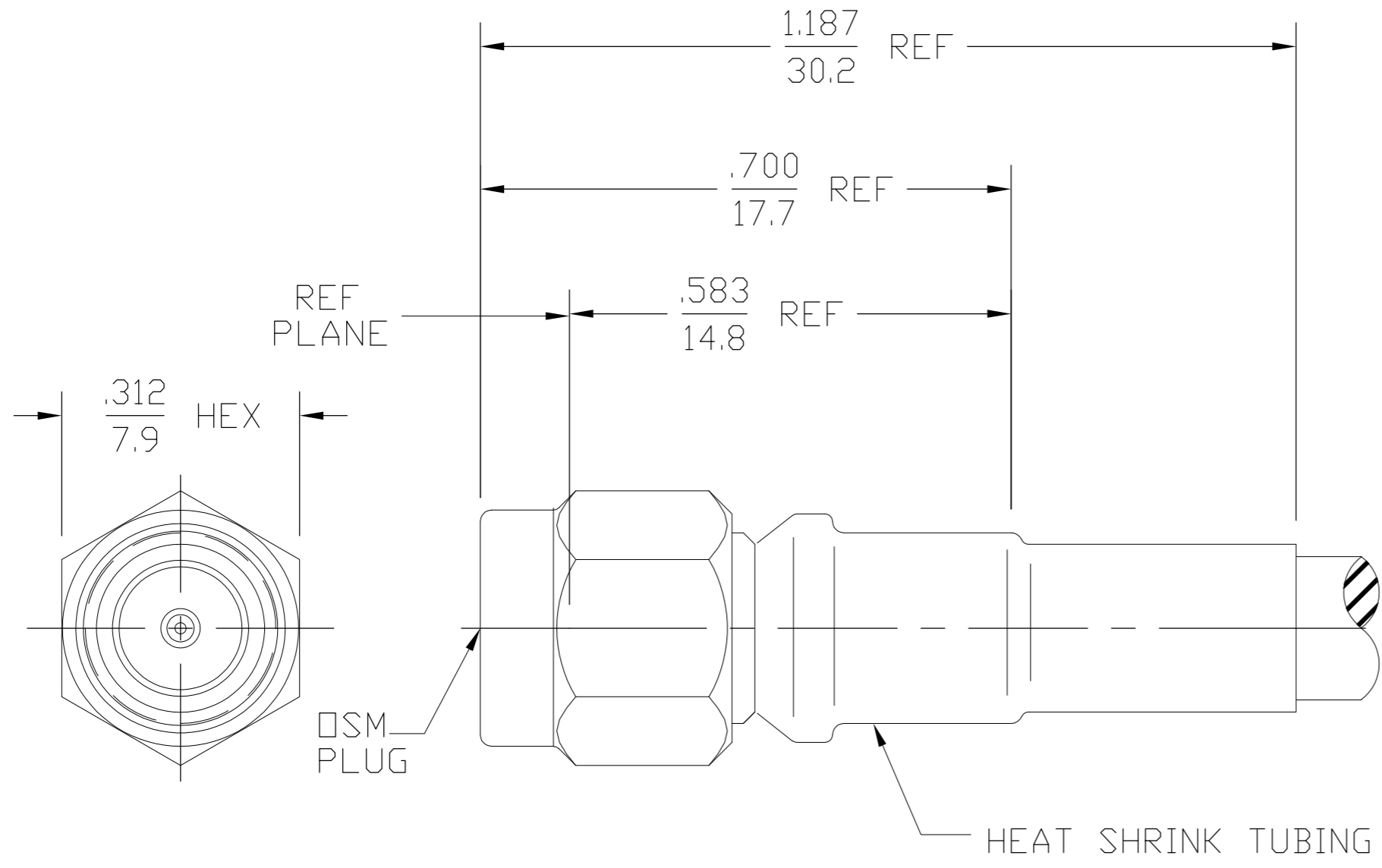


THIS DRAWING IS UNPUBLISHED. RELEASED FOR PUBLICATION
 © COPYRIGHT BY TYCO ELECTRONICS CORPORATION. ALL RIGHTS RESERVED.

DESIGNED FOR USE WITH RG-141/U CABLE	
CABLE ENTRY DIAMETER MINIMUM	
HOUSING	.119
CONTACT	.040
FERRULE	.202

LOC	DIST	REVISIONS					
AJ	00	P	LTR	DESCRIPTION	DATE	DWN	APVD
		B		REV PER ECO 07-004710	3/12/2007	DW	KW



1051678-1
PART NUMBER

HOUSING COUPLING NUT	STAINLESS STEEL PER ASTM-A484 AND ASTM-	GOLD PLATE PER MIL-G-45204
DIELECTRIC	TFE FLUOROCARBON PER ASTM-D-1457	N/A
CENTER CONTACT	BERYLLIUM COPPER PER ASTM B 196, ALLOY C17300, CONDITION H OR BRASS PER ASTM-B-16	GOLD PLATE PER MIL-G-45204
RETAINING RING	BERYLLIUM COPPER PER ASTM B 194, ALLOY C17200, CONDITION H	N/A
GASKET	SILICONE RUBBER PER ZZ-R-765	N/A
SHRINK TUBING	HEAT SHRINKABLE POLYOLEFIN COMPOUND MIL-I-23053/4	N/A
FERRULE	COPPER OR BRASS ALLOY ROCKWELL F65 MAXIMUM	GOLD PLATE PER MIL-G-45204
COMPONENT	MATERIAL	FINISH

ELECTRICAL	MECHANICAL	ENVIRONMENTAL
Nominal Impedance (Ohms) 50	Interface Dimensions MIL-STD-348A, Fig. 310.1	TEMPERATURE RATING -62°C TO +165°C
Frequency Range (GHz) DC to 12.4	Recommended Mating Torque 7 to 10 in-lbs	Vibration MIL-STD-202, Method 204, Condition D.
Volt Rating (VRMS MAX) @ Sea Level 335	Mating Characteristics:	Shock MIL-STD-202, Method 213, Cond I
VSWR 1.15 +.01 f(GHz)	Insertion (MAX Lbs) N/A	Thermal Shock MIL-STD-202, Method 107, Condition B, EXCEPT HIGH TEMP SHALL BE +85°C
Insertion Loss (dB MAX) .06 √f(GHz)	Withdrawal (MIN Oz) N/A	Moisture Resistance MIL-STD-202, Method 106
RF Leakage (dB MIN) -[60-f(GHz)]	Force to Engage and Disengage (In-Lbs MAX) 2.0	Corrosion - MIL-STD-202, Method 101, Condition B, 5% salt spray
Corona, 70,000Ft (VRMS MIN) 250	Center Contact Captivation Axial (Lbs) N/A	
Dielectric Withstanding Voltage (VRMS MIN) @ Sea Level 1,000	Radial (In-Oz) N/A	
Contact Resistance (Milliohms MAX) Center Contact 2.0	Cable to Housing Retention (lbs MIN) 40	
Outer Contact 2.0	Weight (Grams) TBD	
Cable to Housing 0.5		
RF High Potential @ Sea Level (VRMS MIN @ 5 MHz) 670		
I.R.(Megohms MIN) 10,000		

THIS DRAWING IS A CONTROLLED DOCUMENT.

DWN	J.A.C	5/26/77
CHK	RMF	6/9/77
APVD	RMF	6/9/77

tyco Electronics Tyco Electronics Corporation
Harrisburg, PA 17105-3608

NAME: OSM STRAIGHT CABLE PLUG CRIMP ATTACHMENT

SIZE	A2	CAGE CODE	00779	DRAWING NO	C=1051678	RESTRICTED TO	-
WEIGHT	-	SHEET	1 of 1	REV	B		

CUSTOMER DRAWING SCALE 4:1