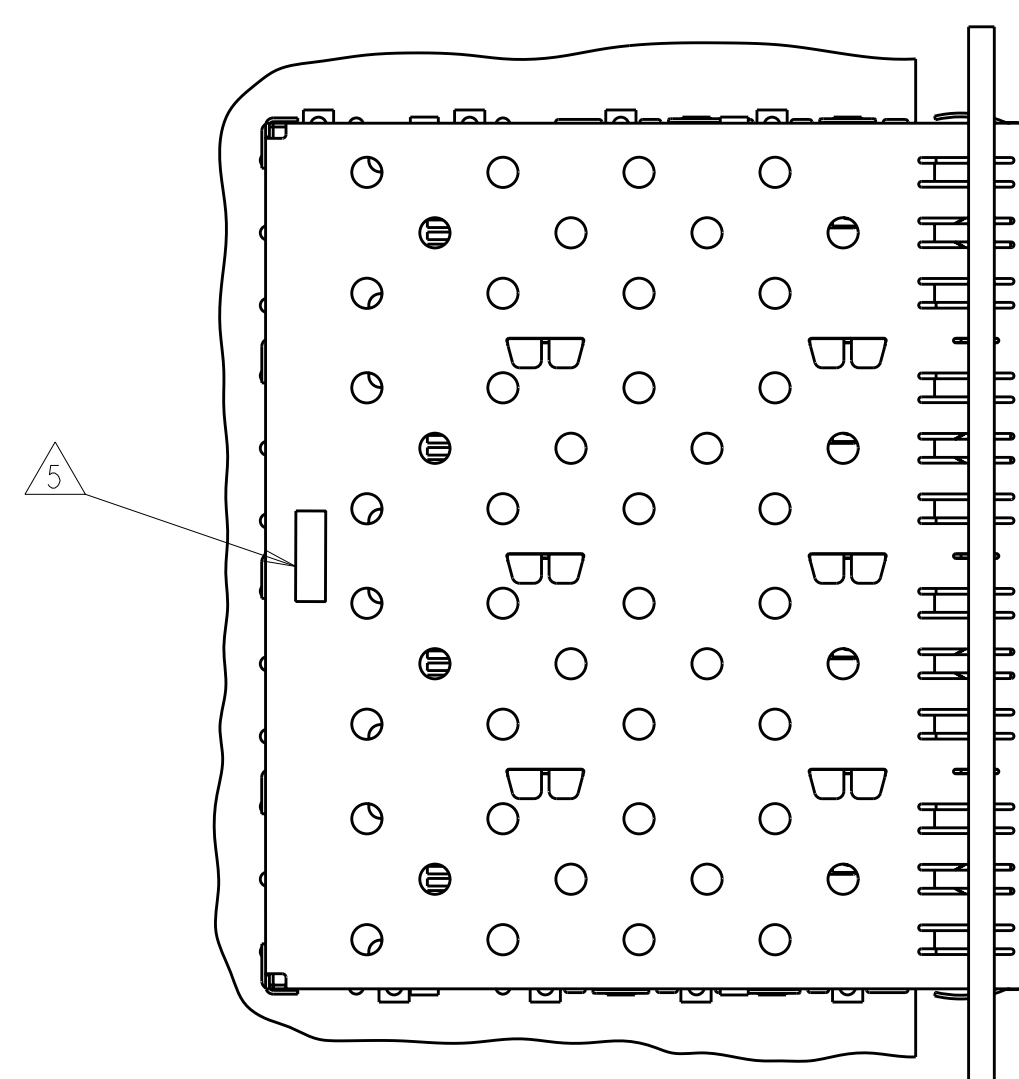
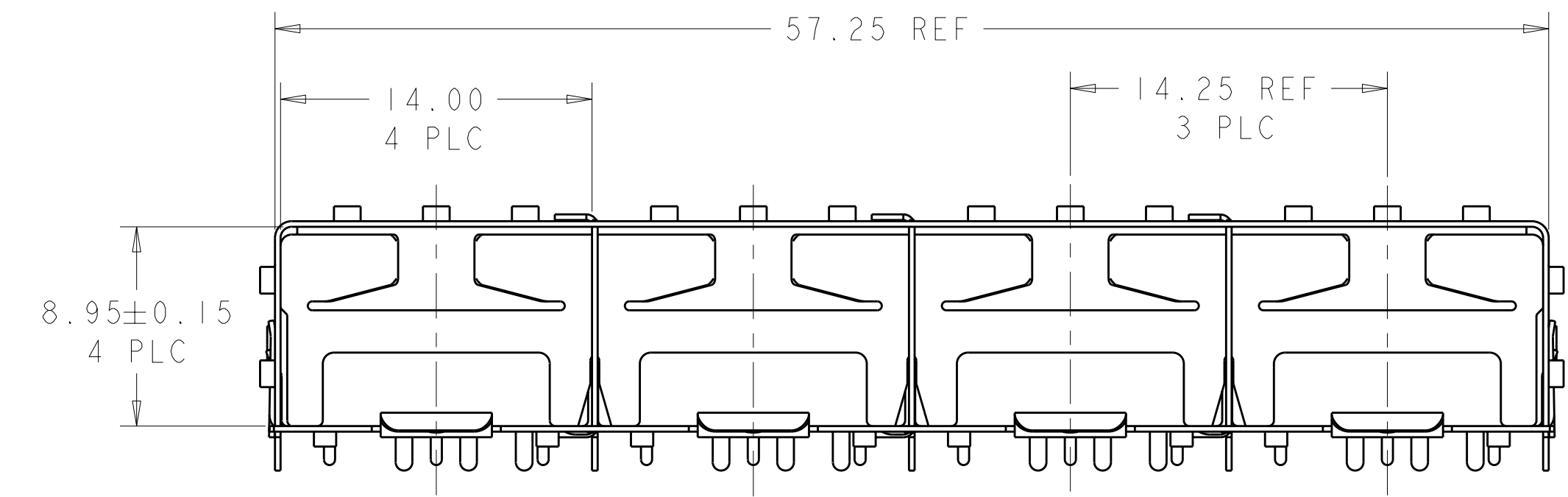
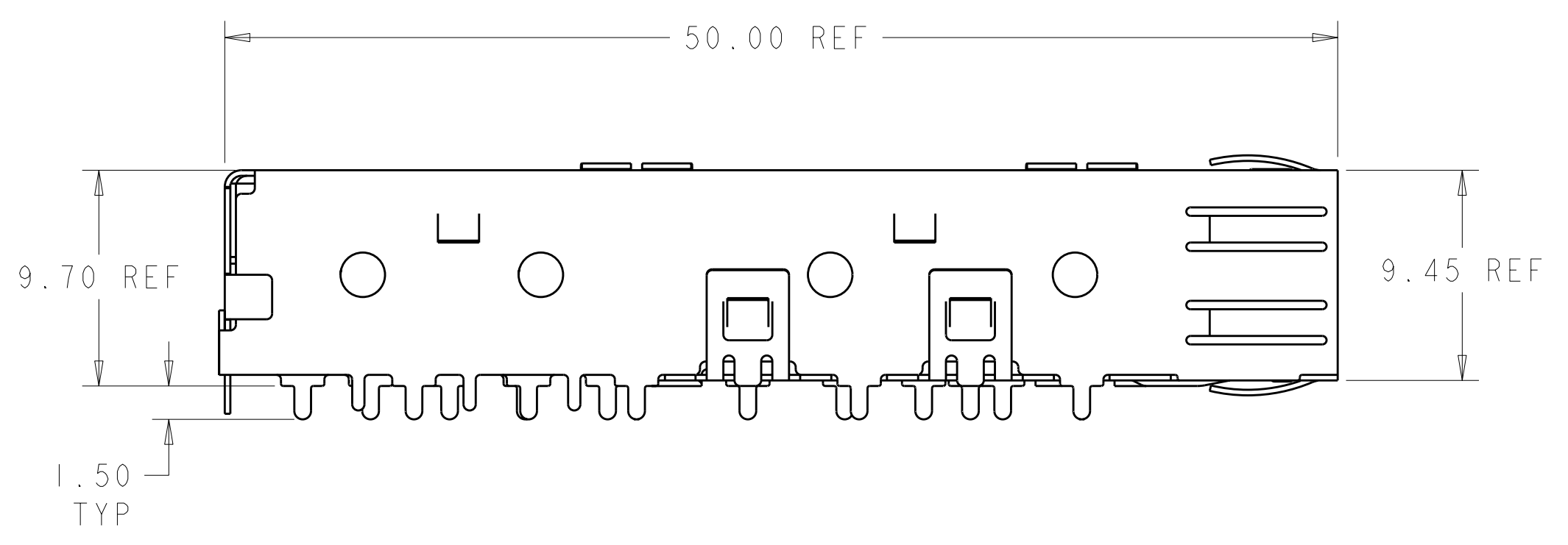
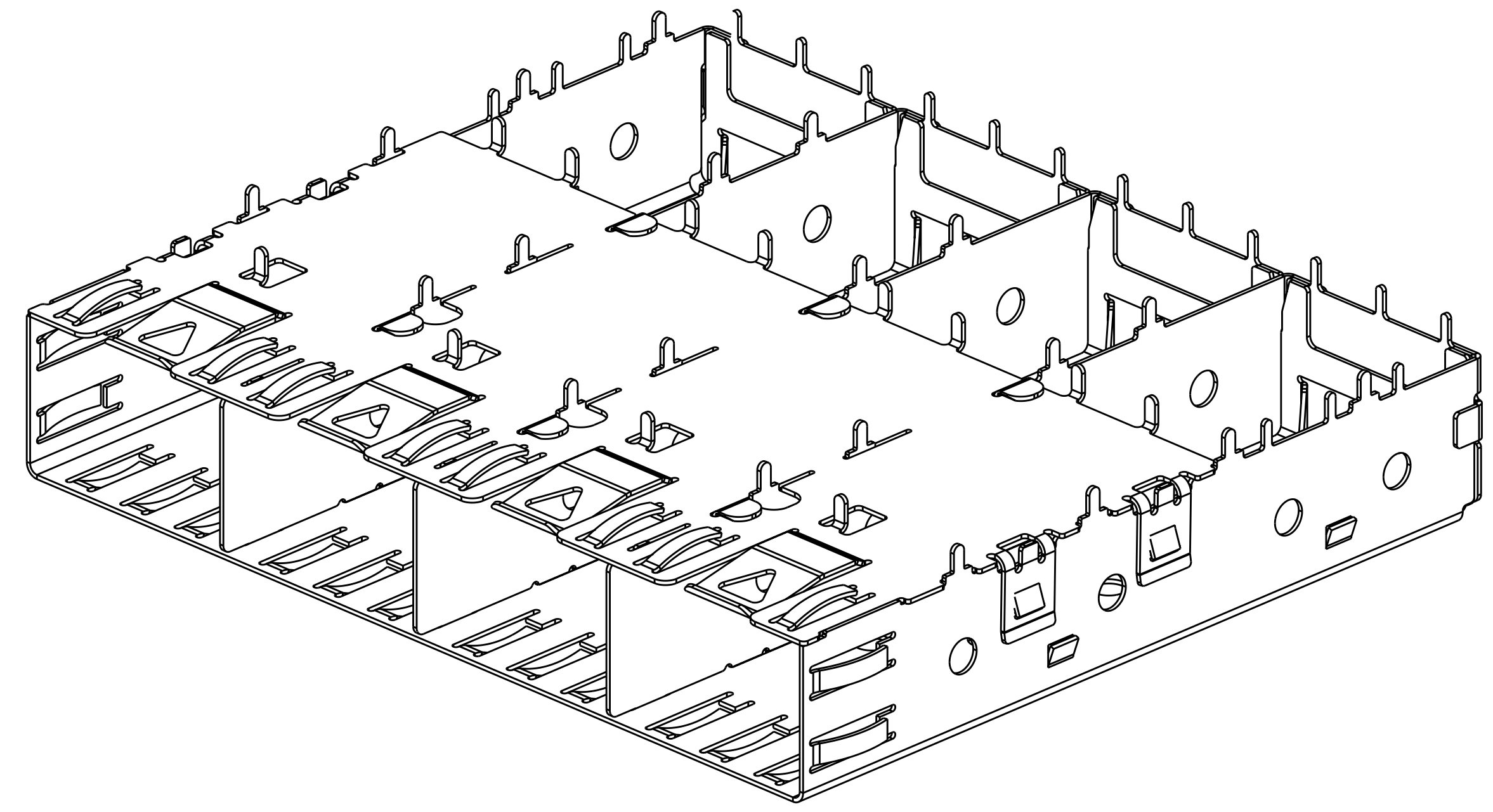
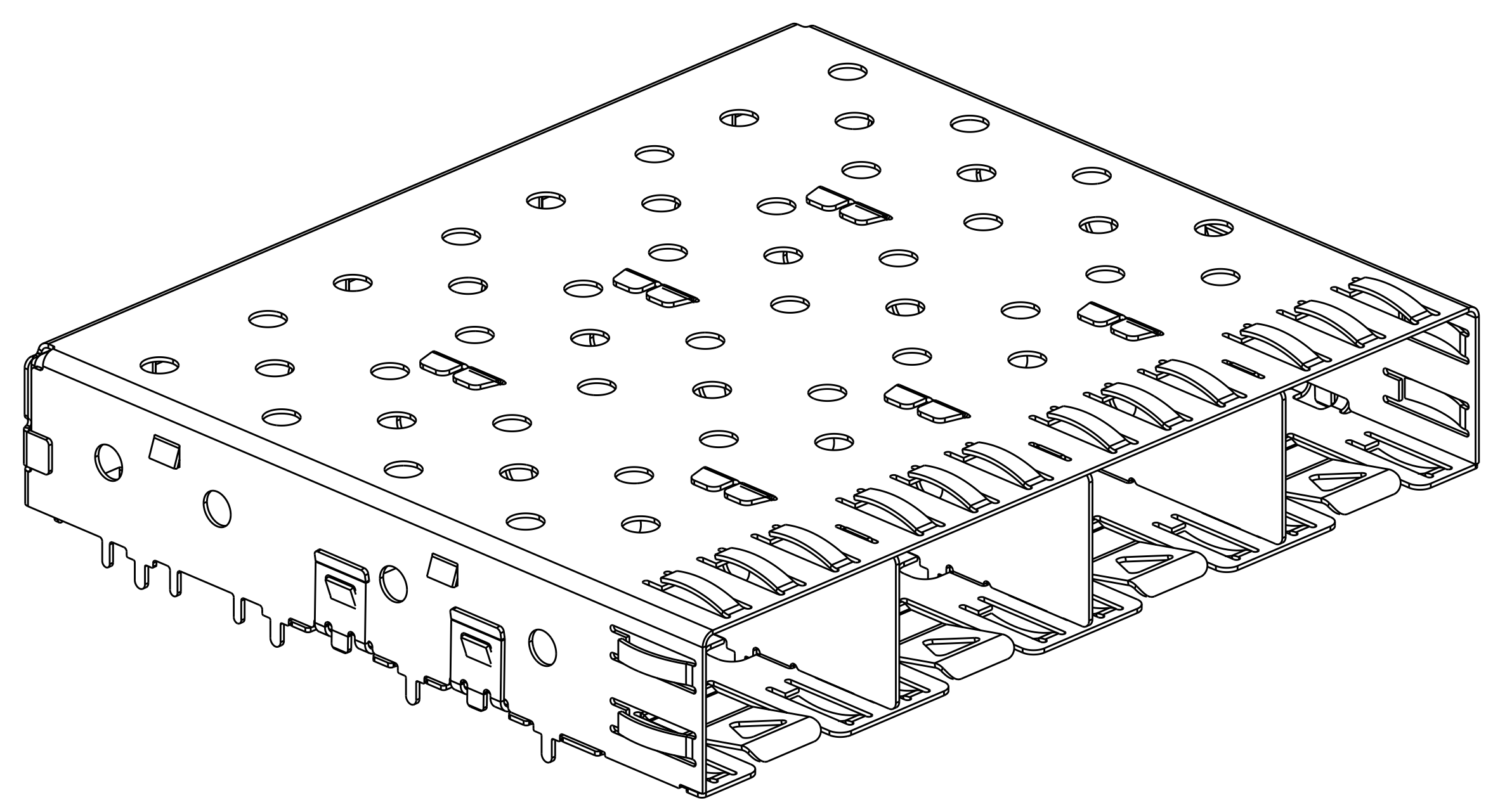


LOC	DIST	REVISIONS			
GP	00	REV	DATE	DWN	APVD
		D1	REVISED PER ECO-11-004835	11MAR2011	RK HMR



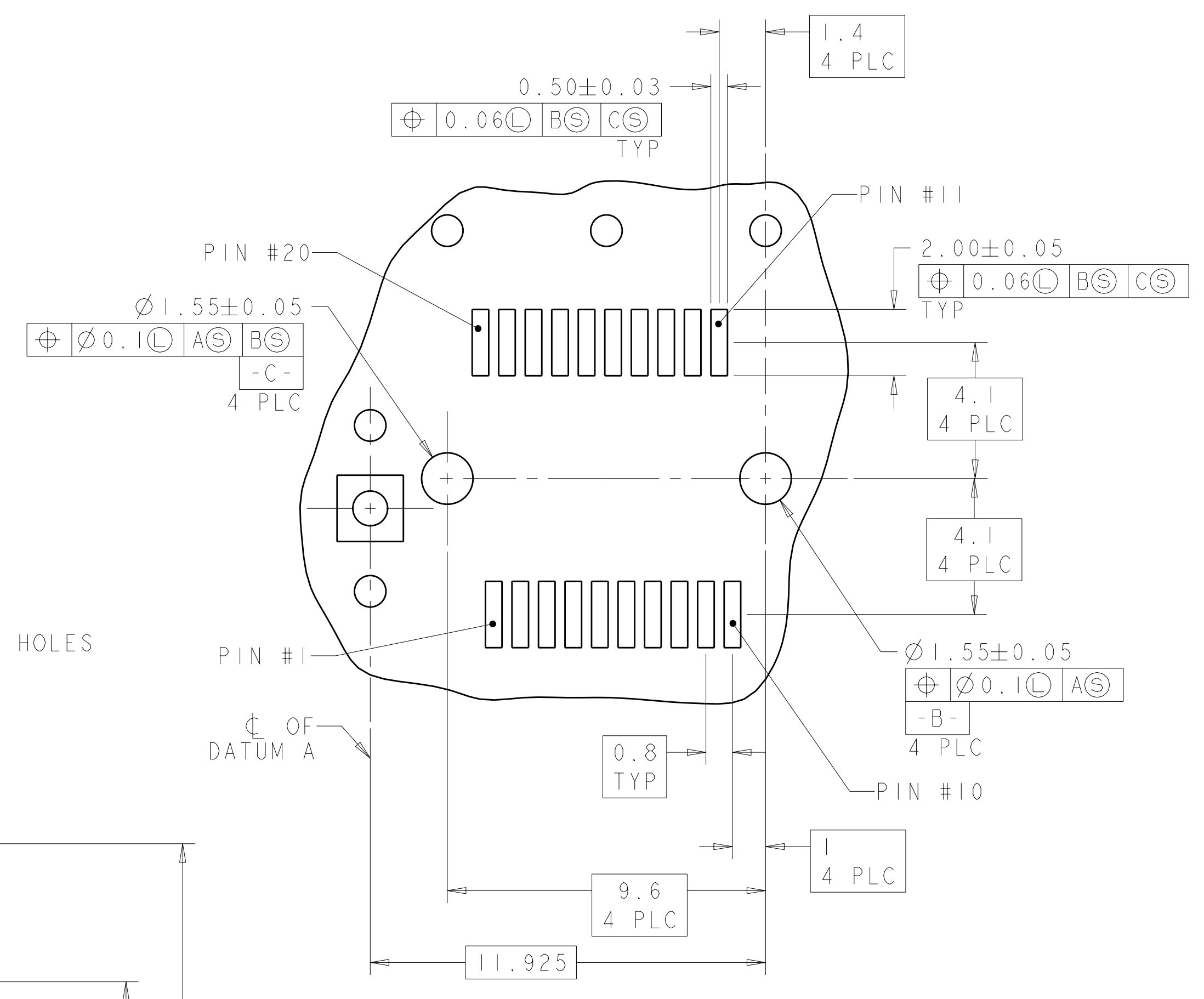
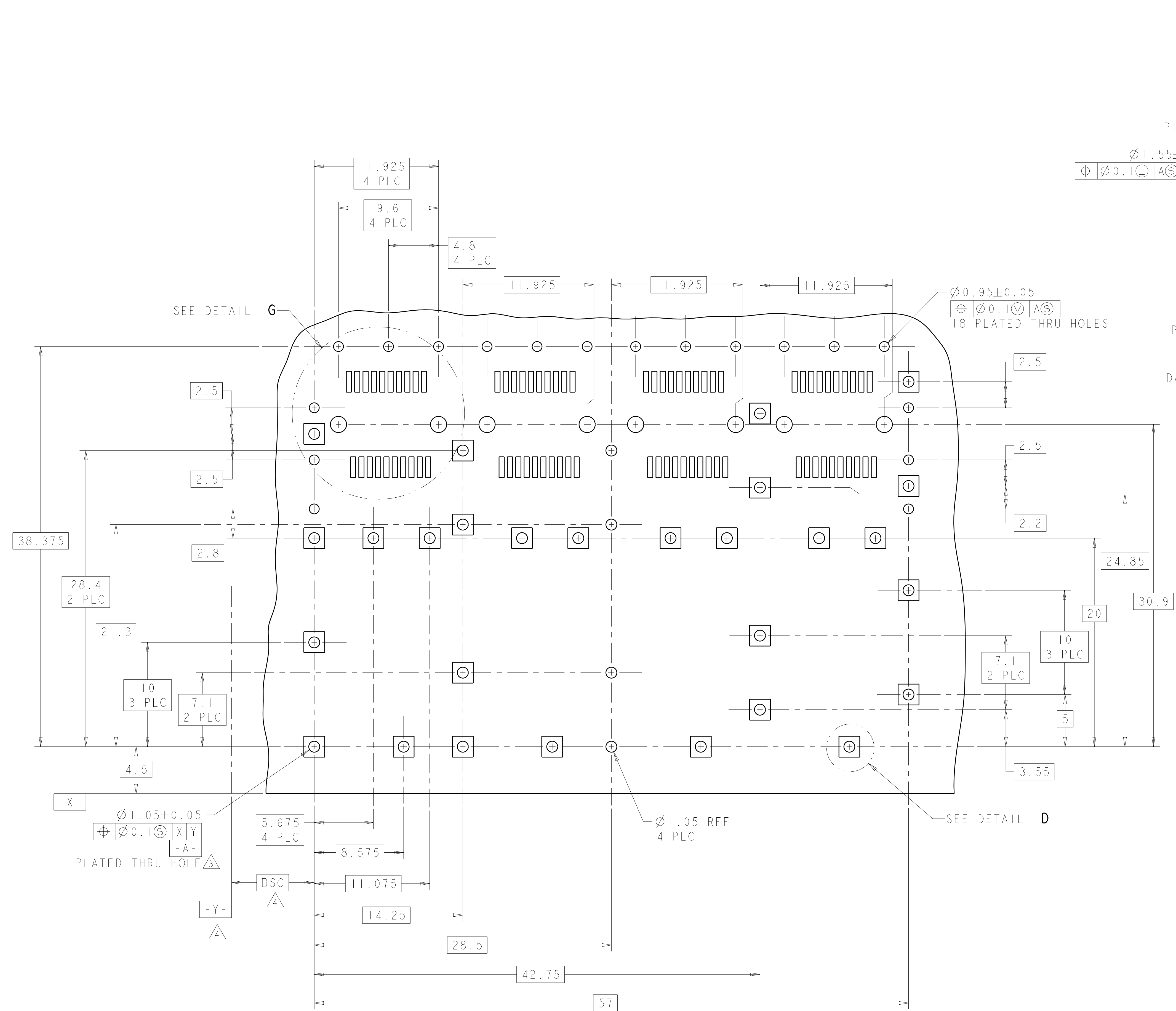
- 1 MATERIAL: 0.25 THICK COPPER ALLOY.
- 2 FINISH: 1.25µm MINIMUM TIN PER ASTM B 545 OVER NICKEL FLASH PER QQ-N-290. NONPLATED EDGES PERMISSIBLE.
- 3 PADS AND VIAS CHASSIS GROUND.
- 4 DATUM AND BASIC DIMENSION ESTABLISHED BY CUSTOMER.
- 5 COMPANY LOGO IN APPROXIMATE AREA SHOWN.

SCALE 2:1

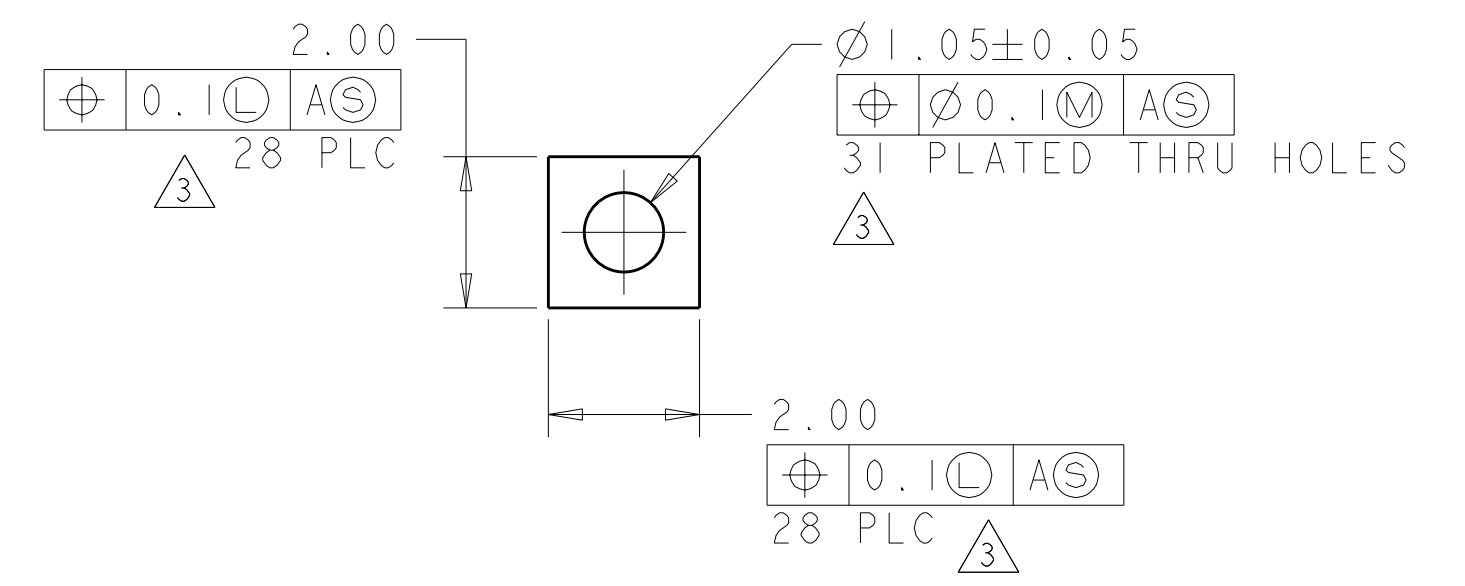
1658723-1
PART NUMBER

THIS DRAWING IS A CONTROLLED DOCUMENT.		DWN: M. SHIRK 13MAY03	TE Connectivity
DIMENSIONS: mm		CHK: J. KOPPENHEFFER 06MAY04	
TOLERANCES UNLESS OTHERWISE SPECIFIED:		APVD: M. WALMSLEY 06MAY04	NAME: CAGE ASSEMBLY, SOLDER LEG, 1X4, SFP
9 PLC ± 8 PLC ±0.10 5 PLC ± 4 PLC ± ANGLES ±		PRODUCT SPEC: 108-1950	SIZE: CAGE CODE: DRAWING NO: 114-13017
MATERIAL:		FINISH:	RESTRICTED TO: A100779C-1658723
CUSTOMER DRAWING		SCALE: 4:1	SHEET 1 OF 2 REV: D1

LOC	DIST	REV	DATE	APP'D	REVISED
GP	00				
DESCRIPTION			DATE	OWN	APP'D
SEE SHEET 1					



DETAIL G
SCALE 8:1



DETAIL D
SCALE 10:1

RECOMMENDED PCB LAYOUT
SCALE 5:1

THIS DRAWING IS A CONTROLLED DOCUMENT.		OWN: M. SHIRK 13MAY03	TE Connectivity								
DIMENSIONS: mm		CHK: J. KOPPENHEFFER 06MAY04									
TOLERANCES UNLESS OTHERWISE SPECIFIED:		APVD: M. WALMSLEY 06MAY04	NAME: CAGE ASSEMBLY, SOLDER LEG, 1X4, SFP								
<table border="1"> <tr><td>9 PLC</td><td>±</td></tr> <tr><td>5 PLC</td><td>±0.10</td></tr> <tr><td>4 PLC</td><td>±</td></tr> <tr><td>ANGLES</td><td>±</td></tr> </table>		9 PLC	±	5 PLC	±0.10	4 PLC	±	ANGLES	±	PRODUCT SPEC: 108-1950	SIZE: A100779C=1658723
9 PLC	±										
5 PLC	±0.10										
4 PLC	±										
ANGLES	±										
MATERIAL: FINISH:		APPLICATION SPEC: 114-13017	RESTRICTED TO: -								
		WEIGHT: CUSTOMER DRAWING	SCALE: 4:1 SHEET: 2 OF 2 REV: D1								