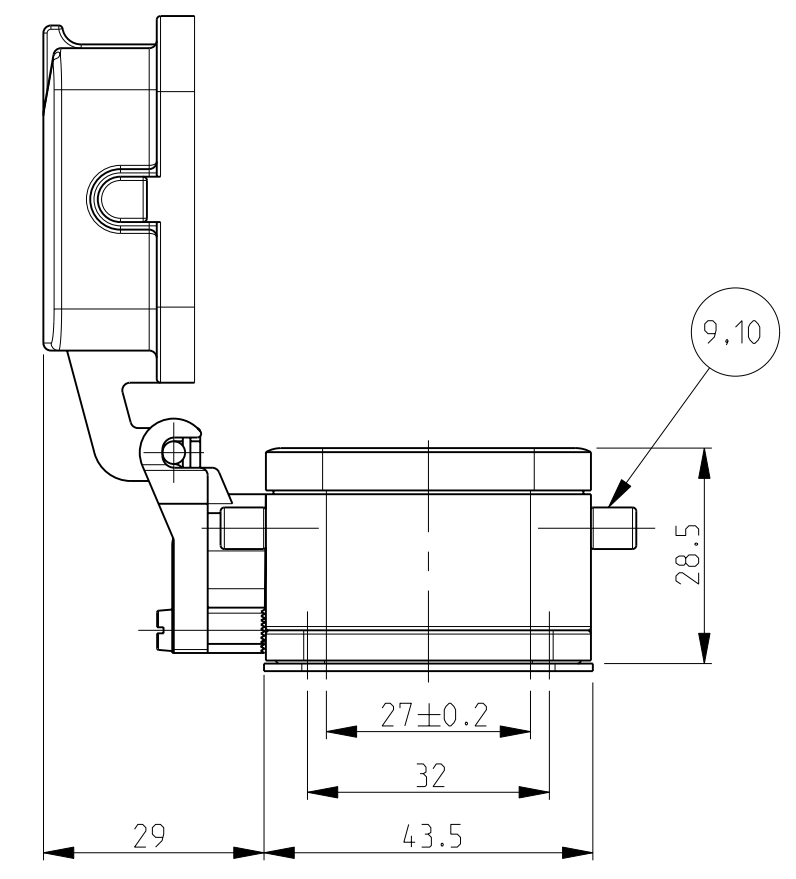
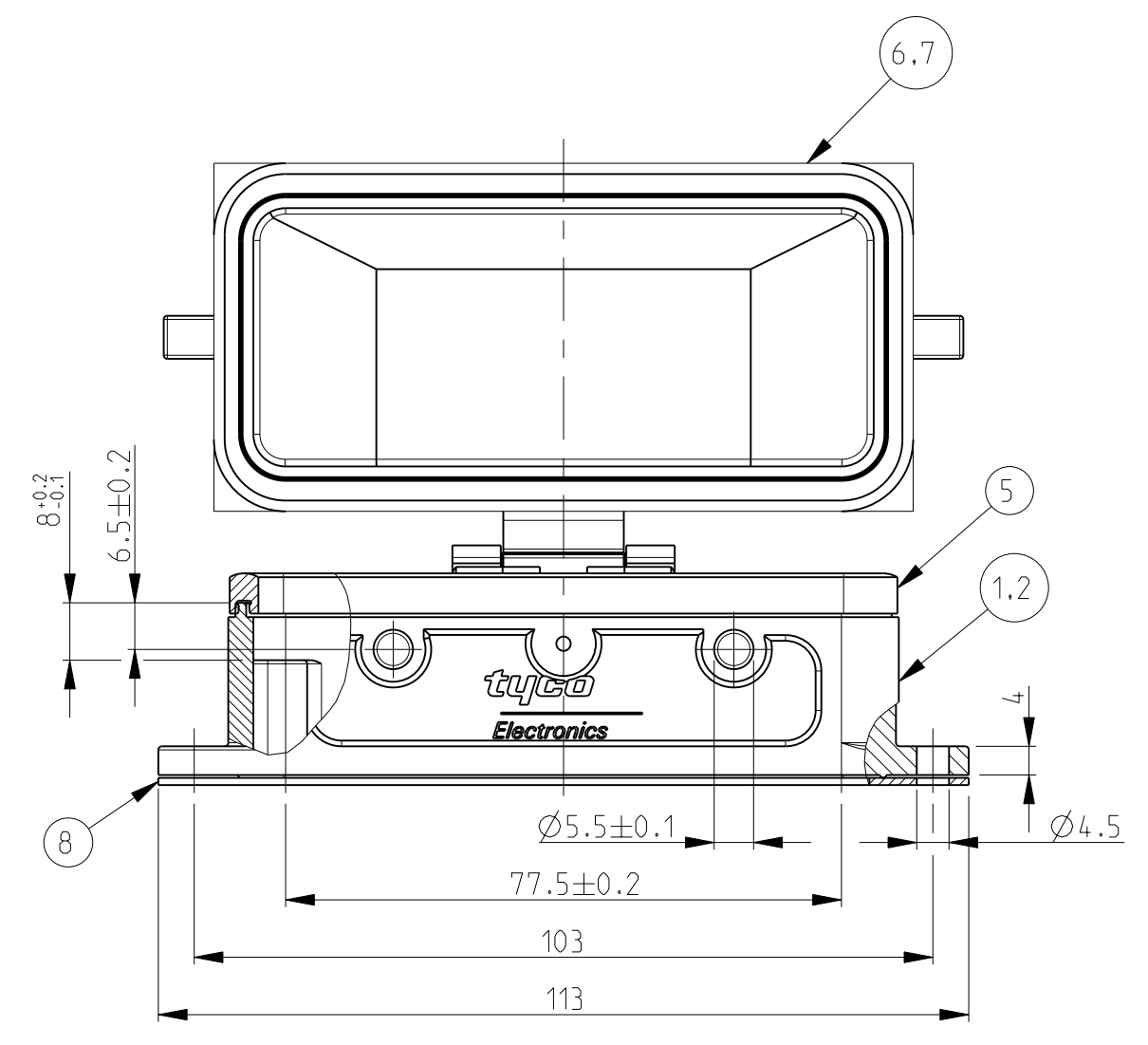
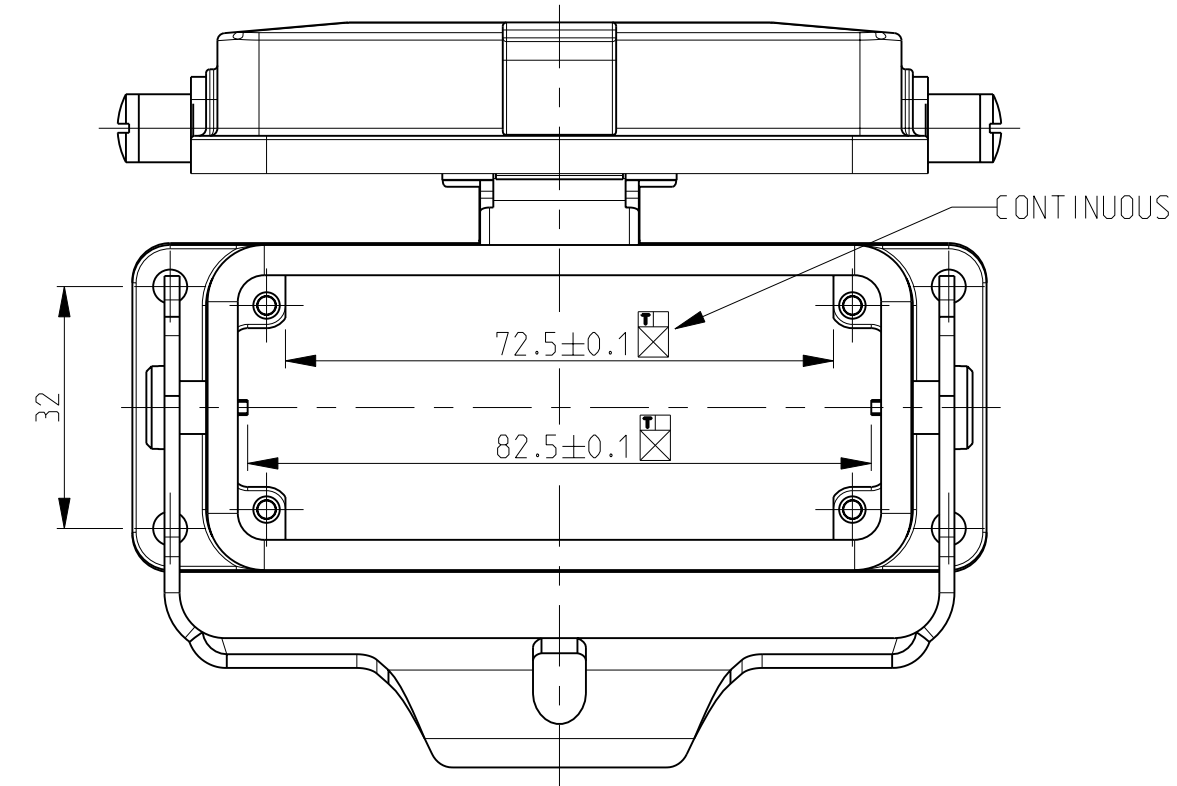


LOC	DIST	REV	DATE	BY	APPD
AI	-	B8	17.12.07	SP	TS

PN 1-6.2-6 & 0-2

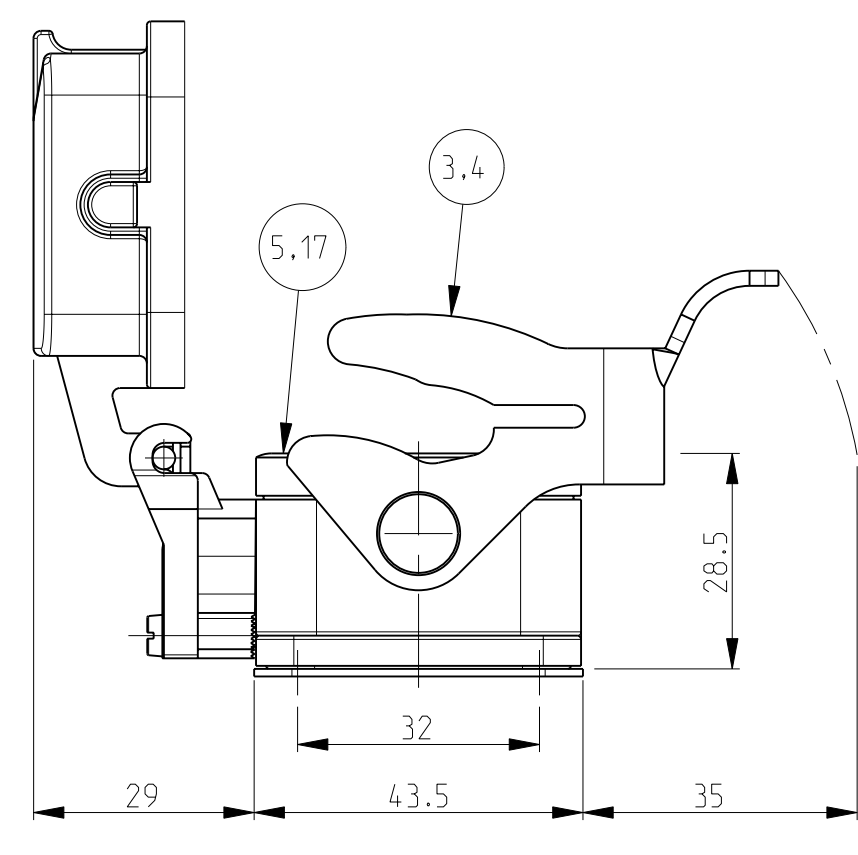
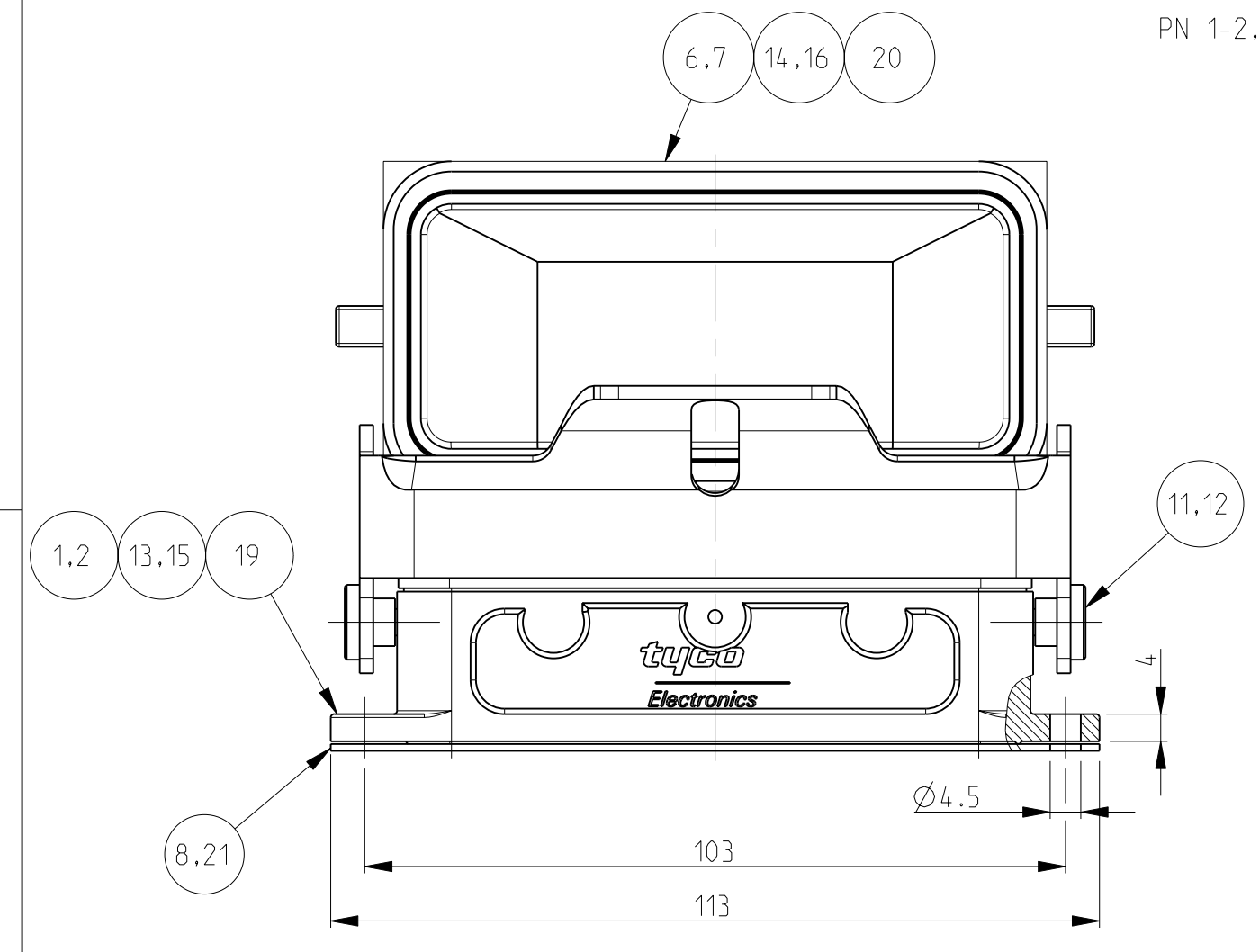


LANDING MILLED OFF

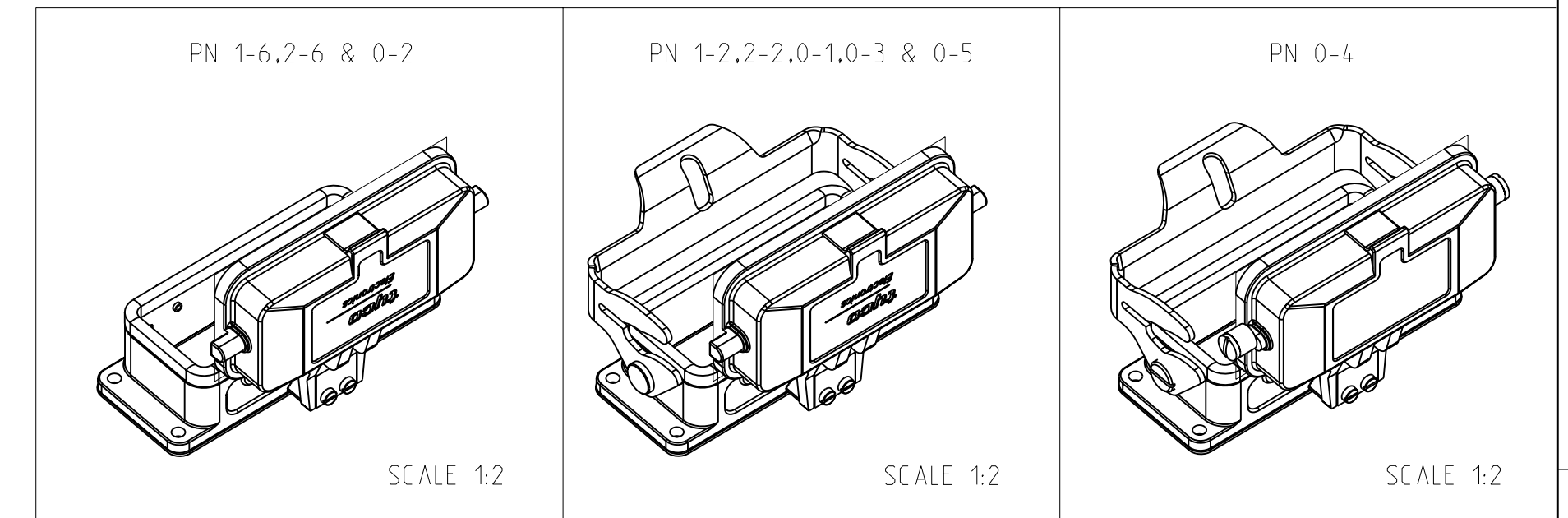
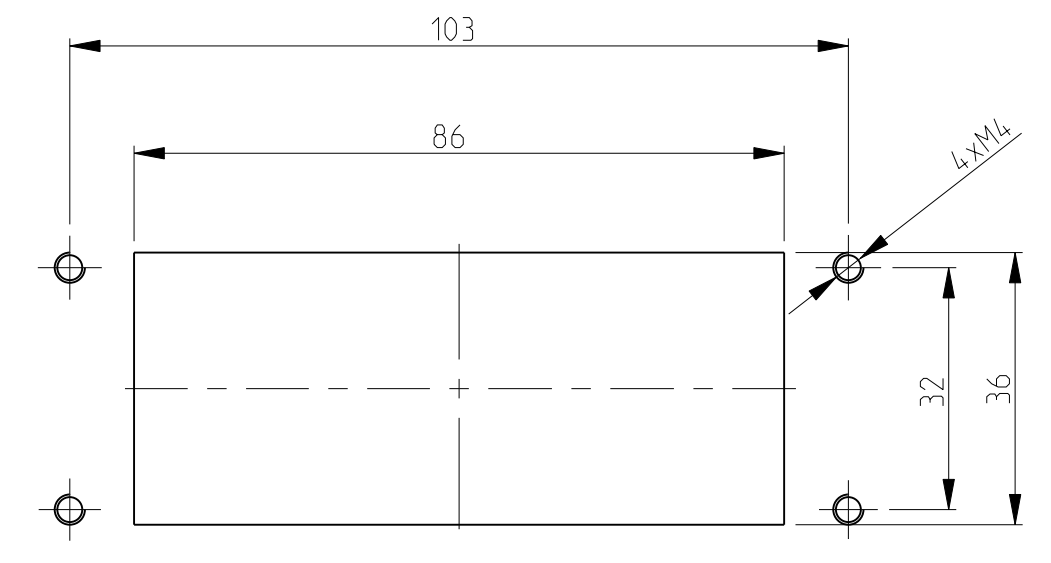


- NOTES
- Material:Housing-Aluminium Diecasting Alloy  
Seals: Neoprene
  - Surface- Varnish -Grey : Red  
-Aluminium Oxide +Varnish Black  
-Chromit AL TCP - passivation
  - Varnish on the inside not necessary
  - Packaging Quantity 5 Pieces in a box
  - Special Packaging Quantity 50 pieces in a kan ban box

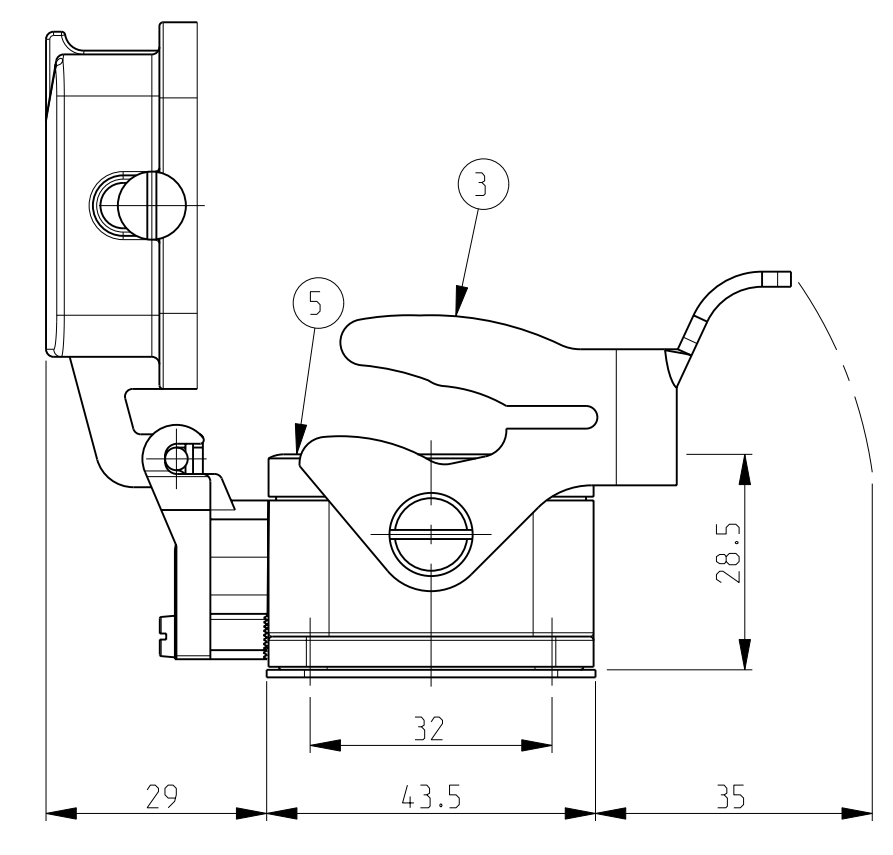
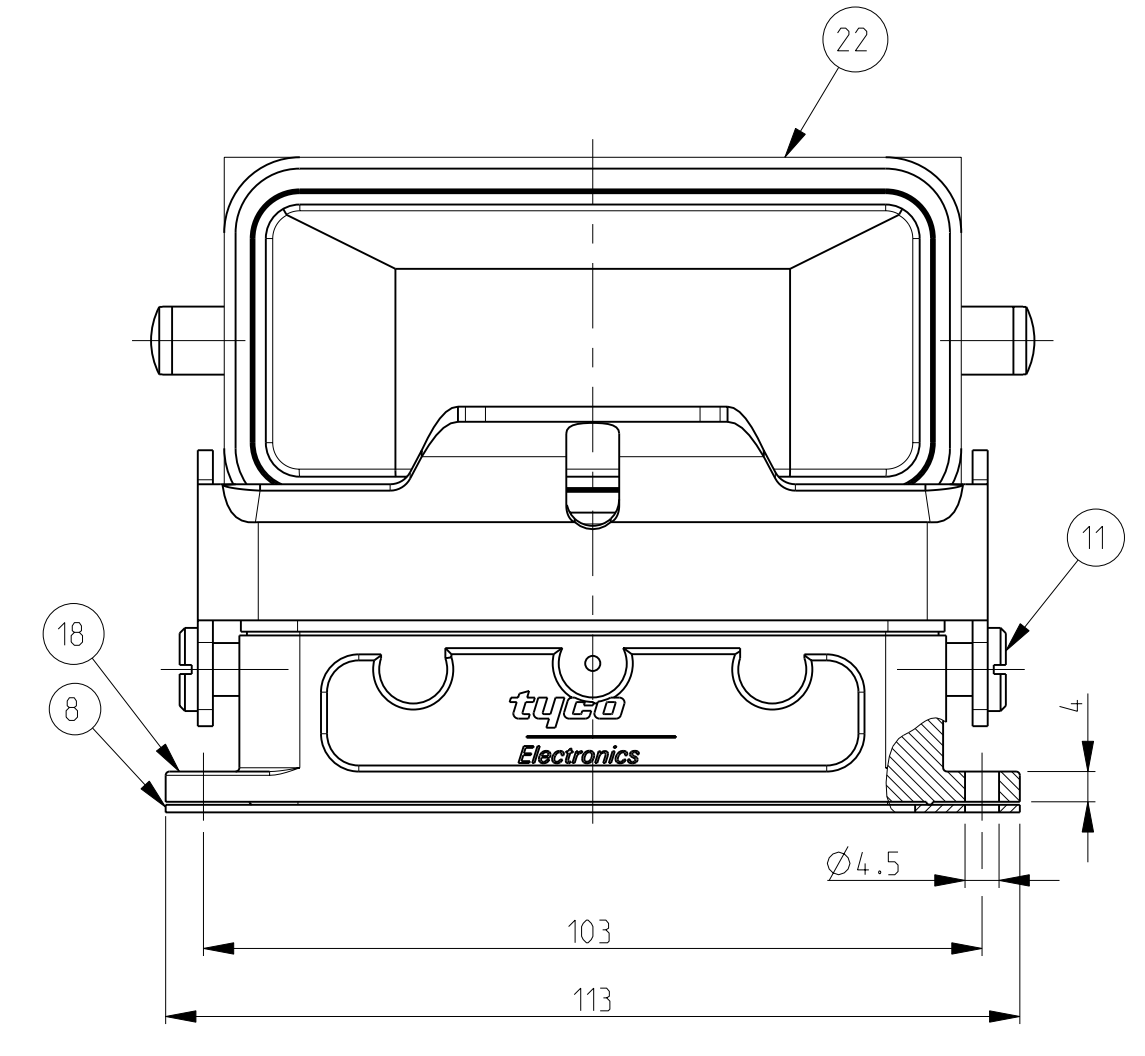
PN 1-2.2-2.0-1.0-3 & 0-5



PANEL CUT OUT



PN 0-4



QTY	DESCRIPTION	MATERIAL	SURFACE	COLOR	ITEM NO	REMARKS								
1	Cover HB	Aluminium		Grey	22	Neutral								
1	Flange Seal	Neoprene		Black	21	Conductive								
1	Cover HB-EMV	Aluminium		Black	20									
1	Surface mounted housing bottom entry HB-EMV	Aluminium	SEE NOTE	Black	19									
1	Surface mounted housing bottom entry HB	Aluminium		Grey	18	Neutral								
1	Profile Seal	Neoprene		Black	17	Conductive								
1	Cover HB-EMV	Aluminium	SEE NOTE	Without varnish	16									
1	Surface mounted housing bottom entry HB-EMV	Aluminium	SEE NOTE	Without varnish	15									
1	Cover HB	Aluminium		Red	14									
1	Surface mounted housing bottom entry HB	Aluminium		Red	13									
2	LB-Clip Positioner	Stainless Steel	Blank		12									
2	LB-Clip Positioner	Steel	Zinc Plated	Blue	11									
4	VS-Clip Bolt	Stainless Steel	Blank		10									
4	VS-Clip Bolt	Steel	Zinc Plated	Blue	9									
1	Flange Seal	Neoprene		Black	8									
1	Cover HB-K	Aluminium	Aluminium Oxide	Black	7									
1	Cover HB	Aluminium		Grey	6									
1	Profile Seal	Neoprene		Black	5									
1	LB-Side Clip	Stainless Steel	Blank		4									
1	LB-Side Clip	Steel	Zinc Plated	Blue	3									
1	Surface mounted housing bottom entry HB-K	Aluminium	Aluminium Oxide	Black	2									
1	Surface mounted housing bottom entry HB	Aluminium		Grey	1									
0-5	0-4	0-3	0-2	0-1	2-6	1-6	2-2	1-2	DESCRIPTION	MATERIAL	SURFACE	COLOR	ITEM NO	REMARKS
ORDERING TEXT														
HB-16.AGD-LB														
HB-K.16.AGD-LB														
HB-16.AGD														
HB-K.16.AGD														
HB-16.AGD-LB														
HB-16.AGD.KM														
HB-EMV.16.AGD-LB														
HB-16.AGD-LB														
HB-EMV.16.AGD-LB														

THIS DRAWING IS A CONTROLLED TECHNOLOGY INFORMATION. IT IS THE PROPERTY OF TYCO ELECTRONICS CORPORATION AND IS NOT TO BE REPRODUCED OR TRANSMITTED IN ANY FORM OR BY ANY MEANS, ELECTRONIC OR MECHANICAL, INCLUDING PHOTOCOPYING, RECORDING, OR BY ANY INFORMATION STORAGE AND RETRIEVAL SYSTEM, WITHOUT THE WRITTEN PERMISSION OF TYCO ELECTRONICS CORPORATION.

DIMENSIONS:	TOLERANCES UNLESS OTHERWISE SPECIFIED:	DWN	Schneider	13.04.2000	NAME	Tyco Electronics	Tyco Electronics AMP GmbH
mm	0 PLG ±	CHK	Schweiger	13.04.2000	PRODUCT SPEC	0-53819	Neunkirchen, Germany
	1 PLG ±	APVD			APPLICATION SPEC		
	2 PLG ±				SIZE	CAGE CODE	DRAWING NO
	3 PLG ±				00779	C=1102305	
	4 PLG ±				SCALE	1:1	SHEET 1 OF 1
	ANGLES ±				CUSTOMER DRAW ING		REV B8