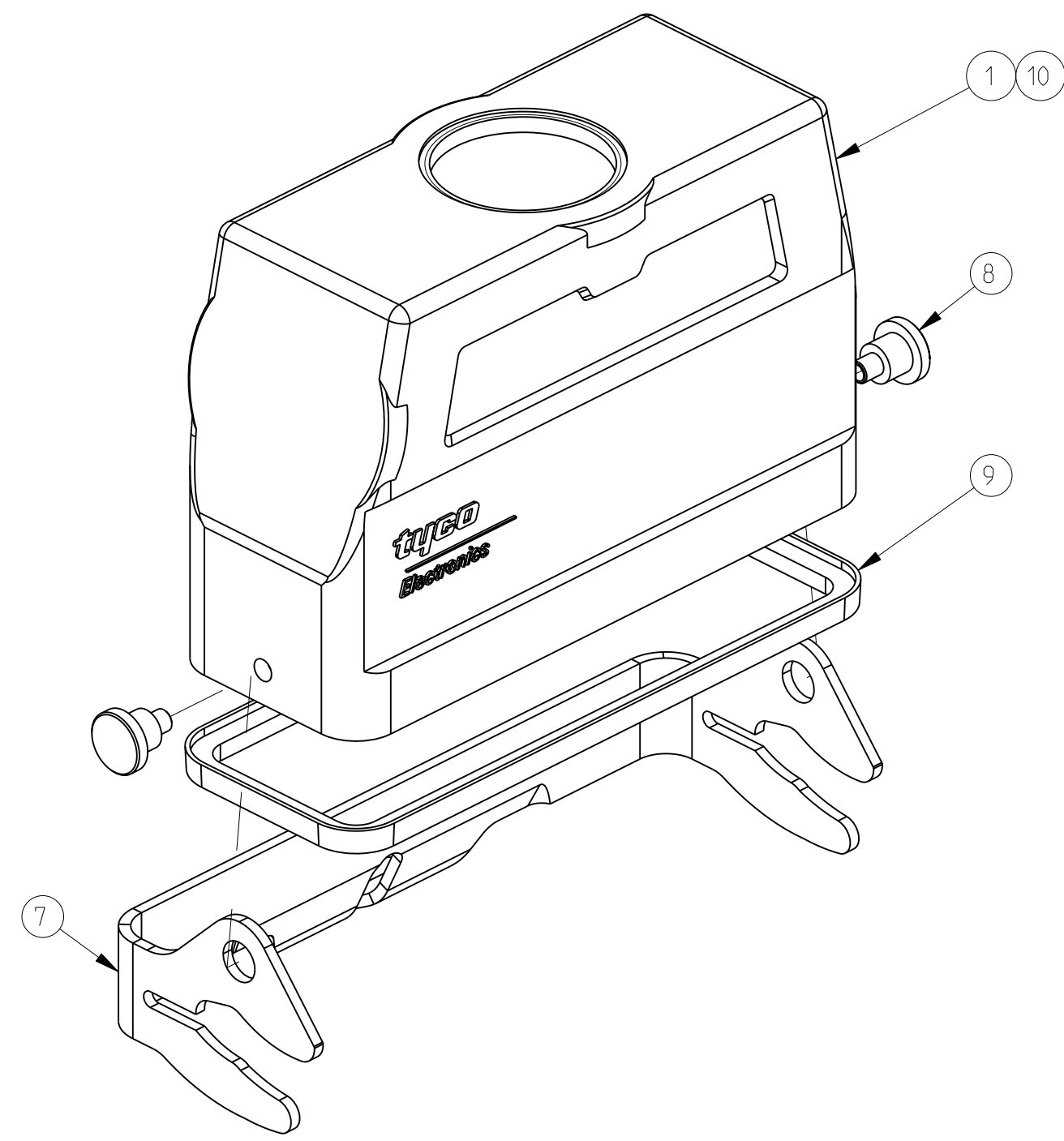
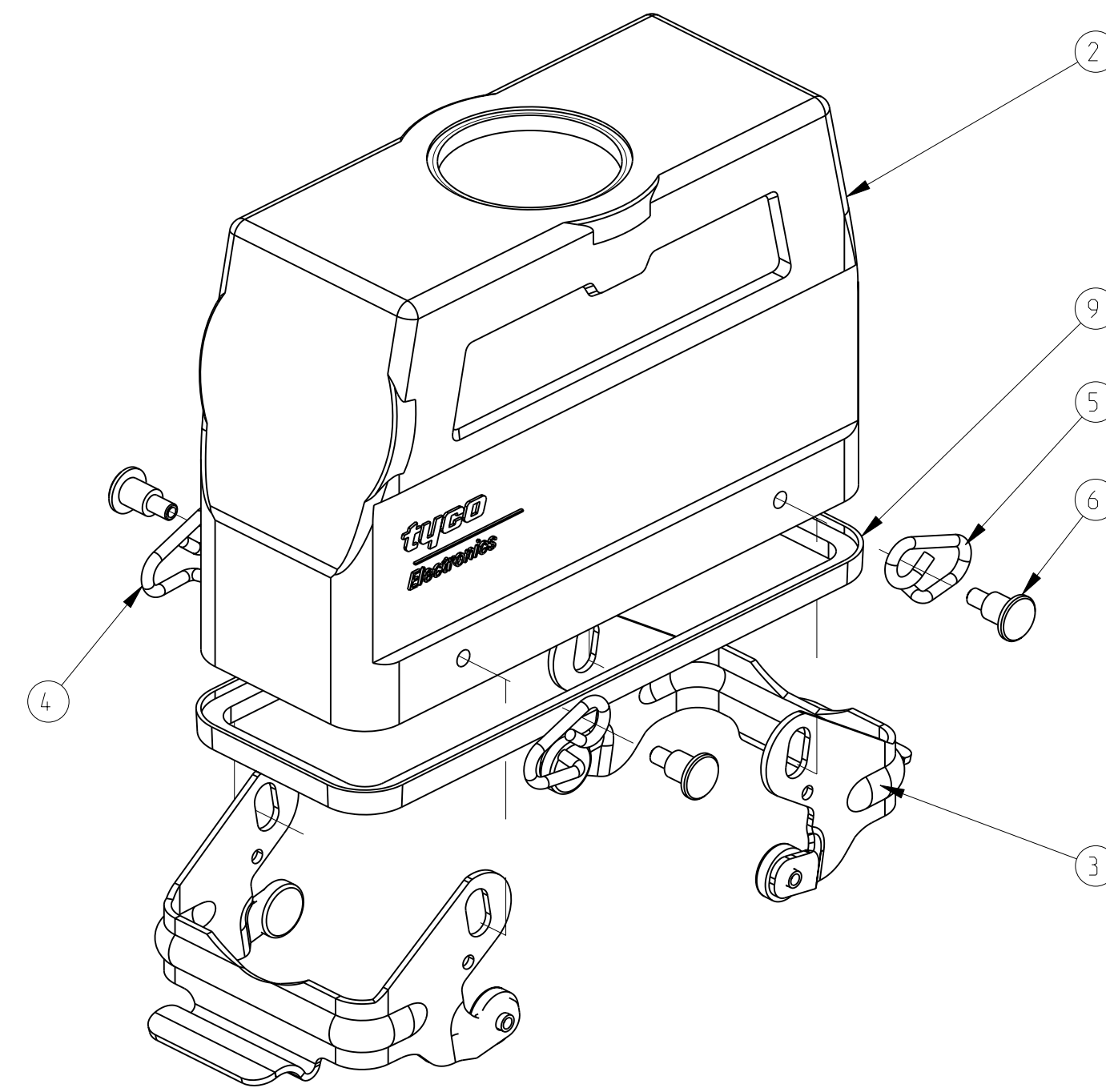


PN 0-1 & 0-5

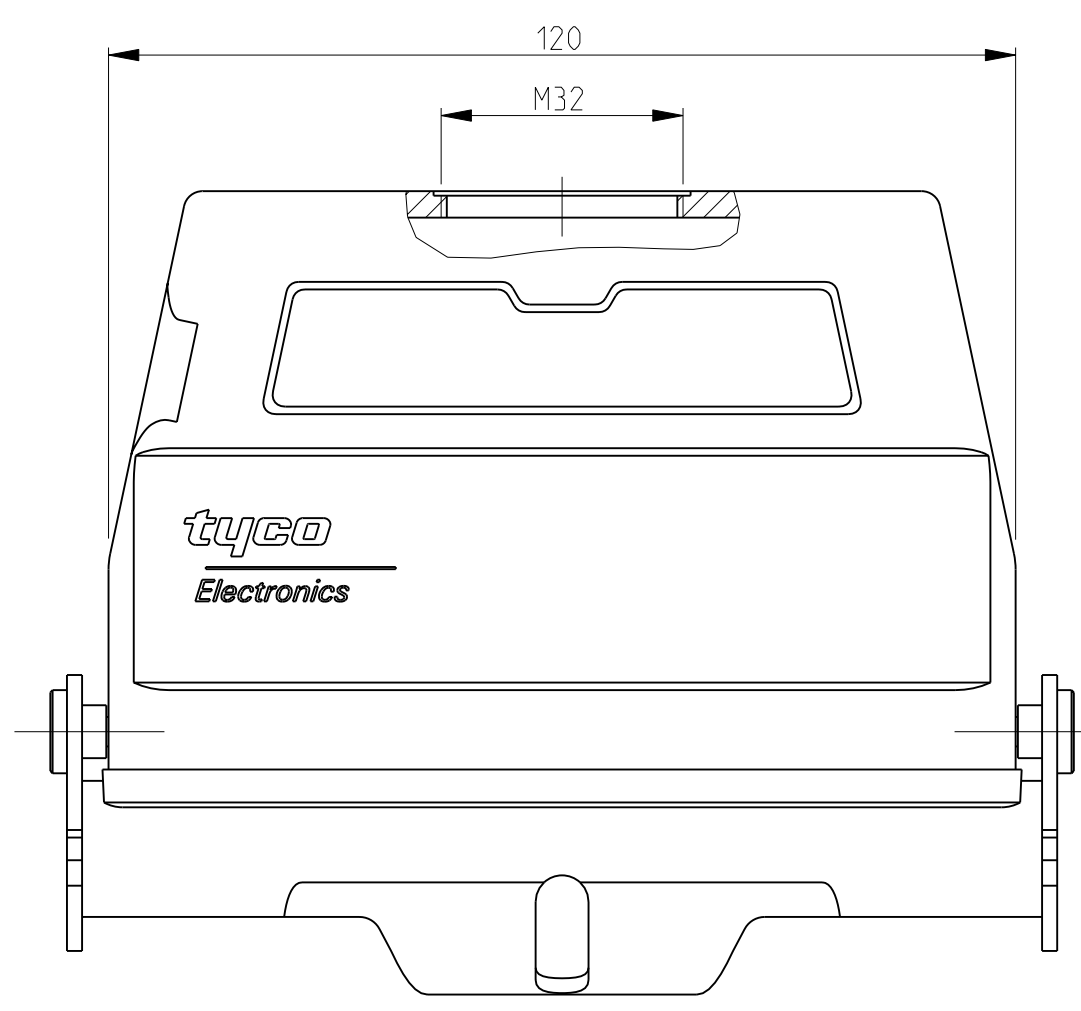
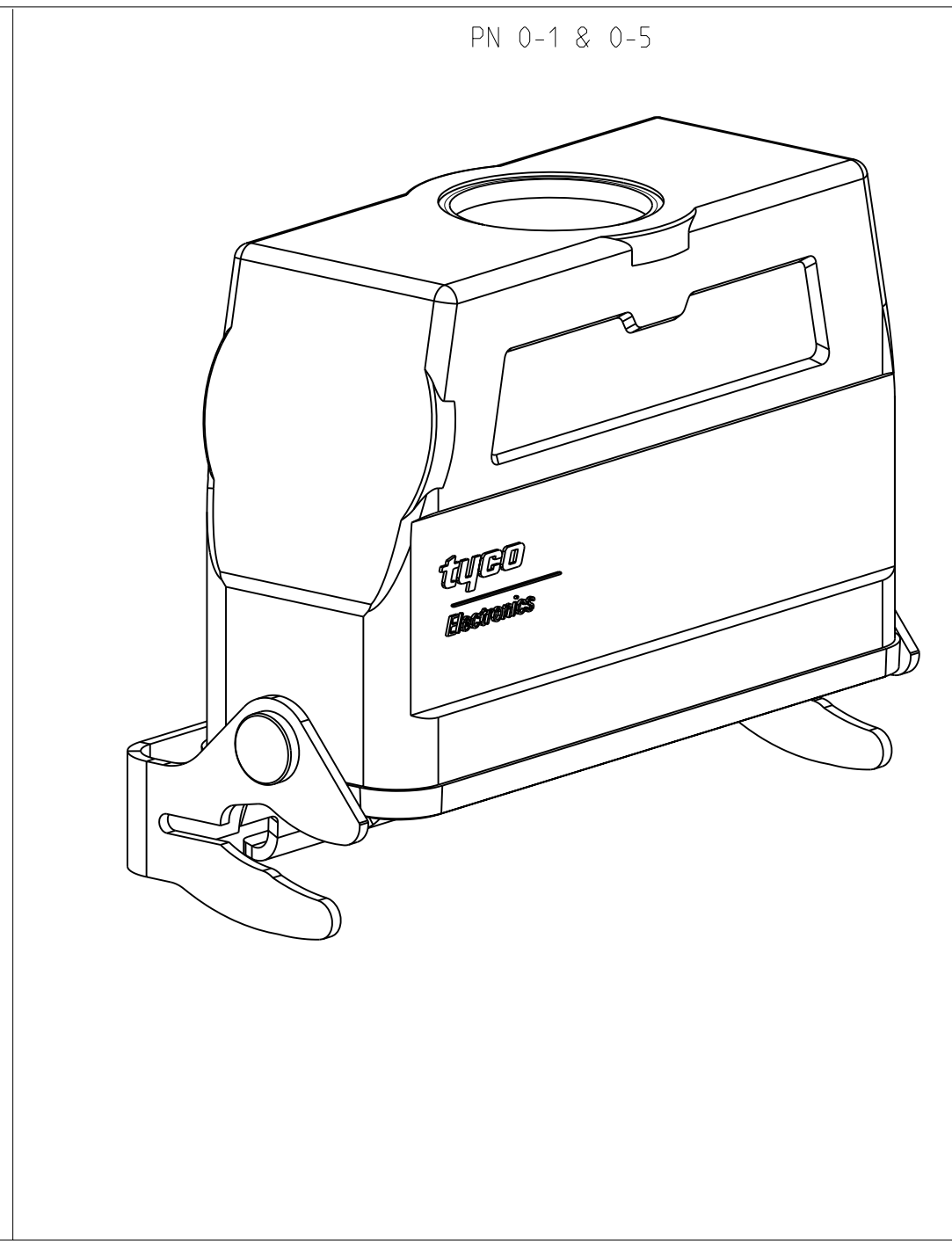
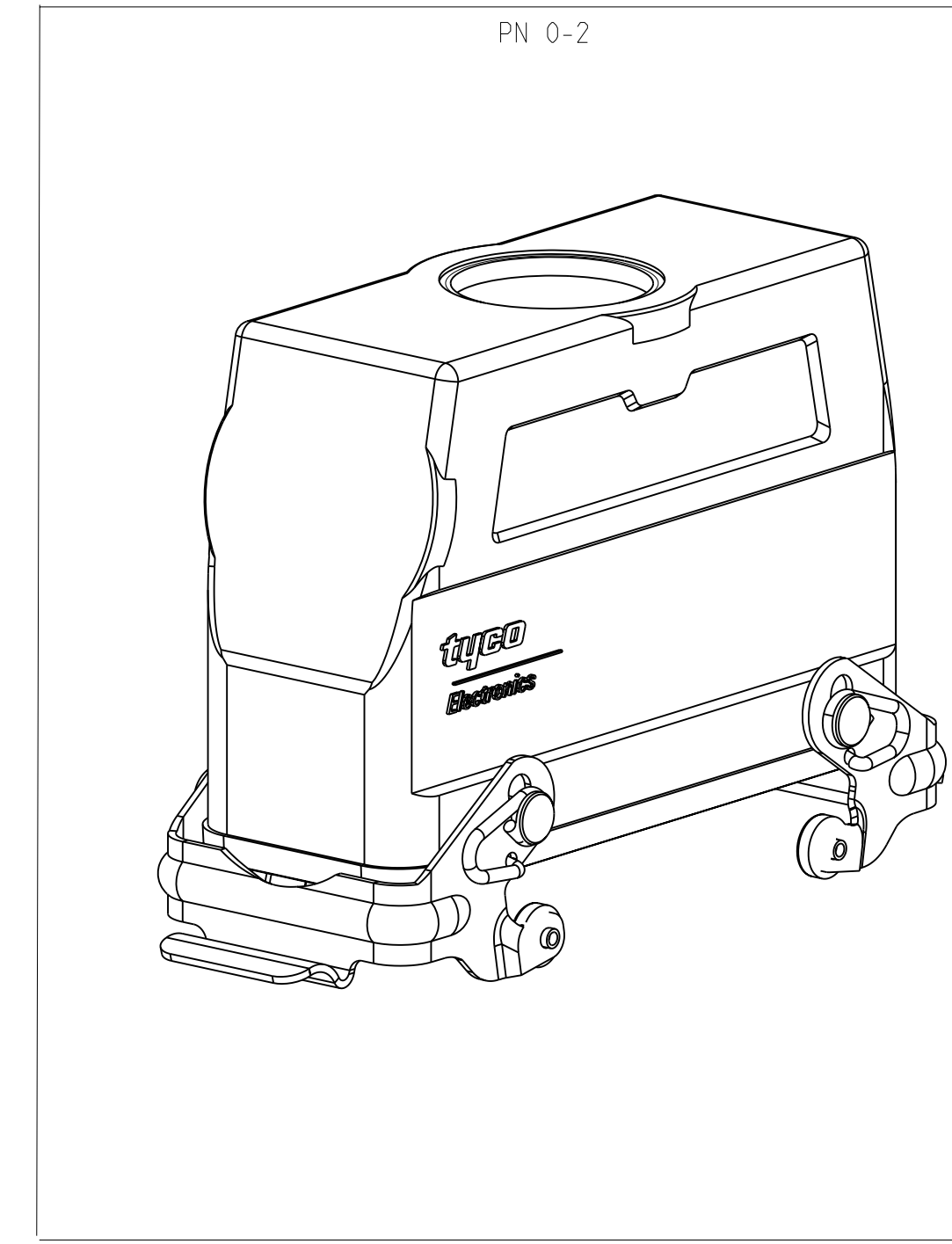


PN 0-2

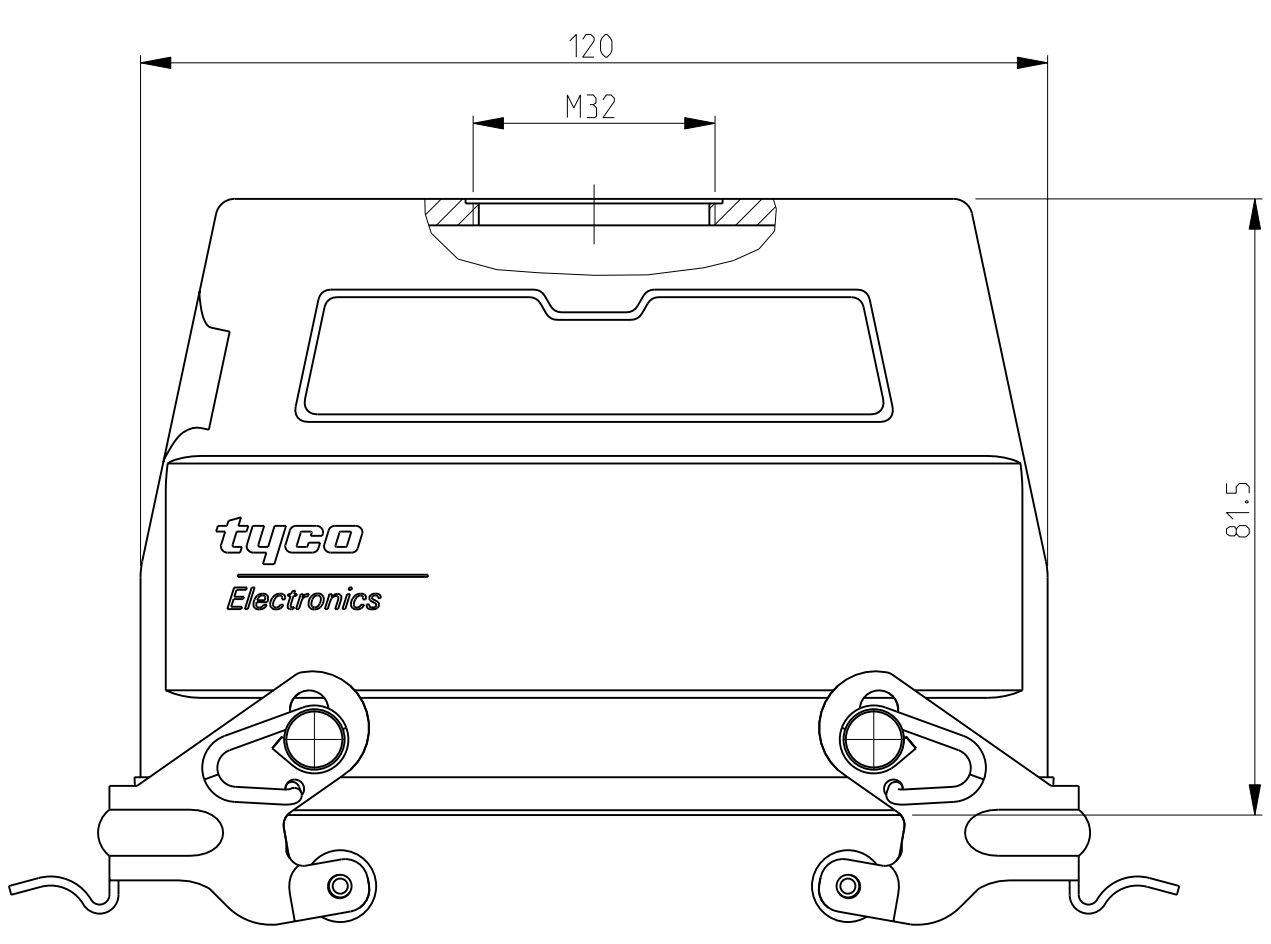
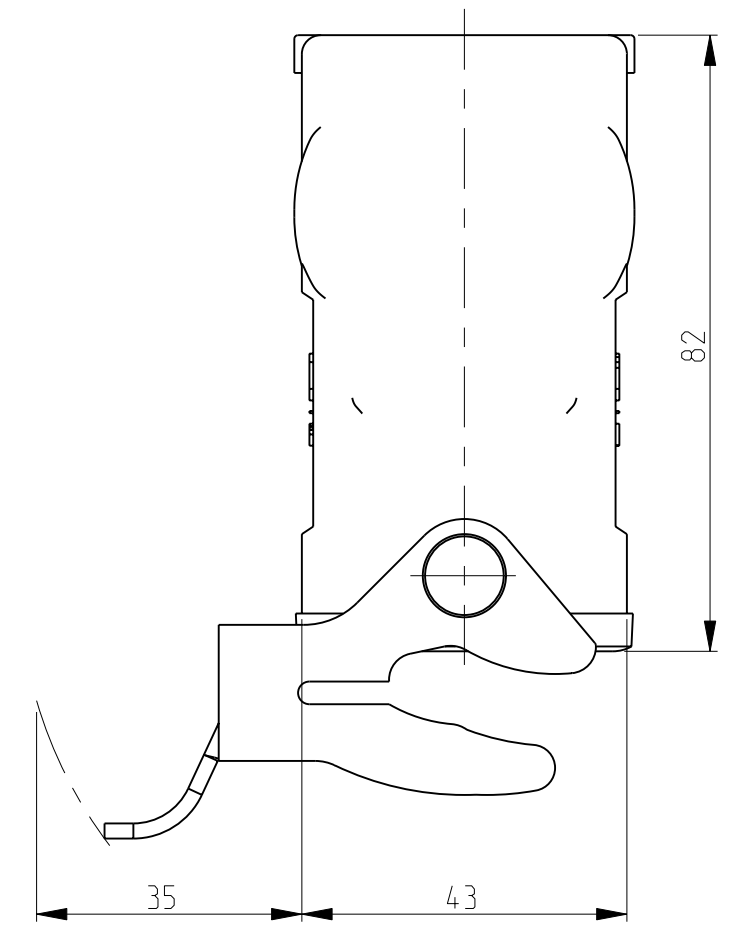


LOC	DIST	REVISIONS					
A1	-	P	LTB	DESCRIPTION	DATE	DWN	APVD
		A3		RELEASED AS PER ECR 09-002509	04-FEB-09	GG	TS
		A4		ECR-10-008207	22APR2010	VG	GW

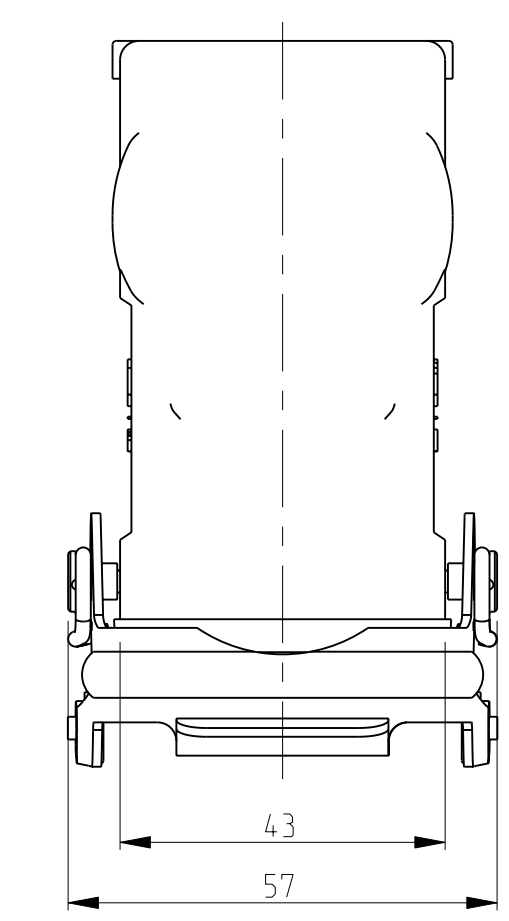
- NOTES:  
 1 PACKAGING QUANTITY: 5 PIECES PER BOX  
 2 MATERIAL: SEE TABLE  
 3 SURFACE: SEE TABLE  
 4 VARNISH ON THE INSIDE NOT NECESSARY



PN 0-1 & 0-5



PN 0-2



QTY	DESCRIPTION	MATERIAL	SURFACE	COLOR	ITEM NO	NOTES			
1	CABLE TO CABLE HOOD	ALUMINIUM	-	GREY RAL 7001	11	WITHOUT LOGO			
1	CABLE TO CABLE HOOD	ALUMINIUM	-	GREY RAL7001	10	WITHOUT LOGO			
1	CABLE TO CABLE PROFILE SEALS	NEOPRENE	-	BLACK	9				
2	CLIP POSITIONER	STEEL	ZINC PLATED	BLUE	8				
1	SIDE CLIP	STEEL	ZINC PLATED	BLUE	7				
4	CLIP POSITIONER	STEEL	ZINC PLATED	BLUE	6				
2	CLIP SPRING LEFT	STEEL	ZINC PLATED	BLUE	5				
2	CLIP SPRING RIGHT	STEEL	ZINC PLATED	BLUE	4				
2	LOCKING CLIP	STEEL	ZINC PLATED	BLUE	3				
1	CABLE TO CABLE HOOD	ALUMINIUM	-	GREY RAL7001	2				
1	CABLE TO CABLE HOOD	ALUMINIUM	-	GREY RAL7001	1				
0-6	0-5	0-2	0-1	DESCRIPTION	MATERIAL	SURFACE	COLOR	ITEM NO	NOTES
ORDERING TEXT									
HD64.KD0-LB.1.M32.G									
HD64.KD0-VS.1.M32.G									
HD64.KD0-LB.1.M32.G									
HD.64.KD-LB-N									

DIMENSIONS:		TOLERANCES UNLESS OTHERWISE SPECIFIED:		DWN: 06.08.2003		Schneider		Tyco Electronics, AMP, GmbH	
mm		0 PLC ±0.150 0075		CWX: 06.08.2003		Schweiger		53757.Sankt Augustin, Germany	
1 PLC ±0.150 0075		2 PLC ±0.200 0100		APVD: -		NAME		CABLE TO CABLE HOOD ASSY	
3 PLC ±0.200 0100		4 PLC ±0.200 0100		PRODUCT SPEC		APPLICATION SPEC		HD.64.KD0-VS/LB.1.M32.G	
MATERIAL		FINISH		WEIGHT		SIZE		RESTRICTED TO	
- 5		- 6		-		A1 00779 C=1106468		-	
CUSTOMER DRAWING		SCALE		SHEET		OF		REV	
		1:1		1		1		A4	