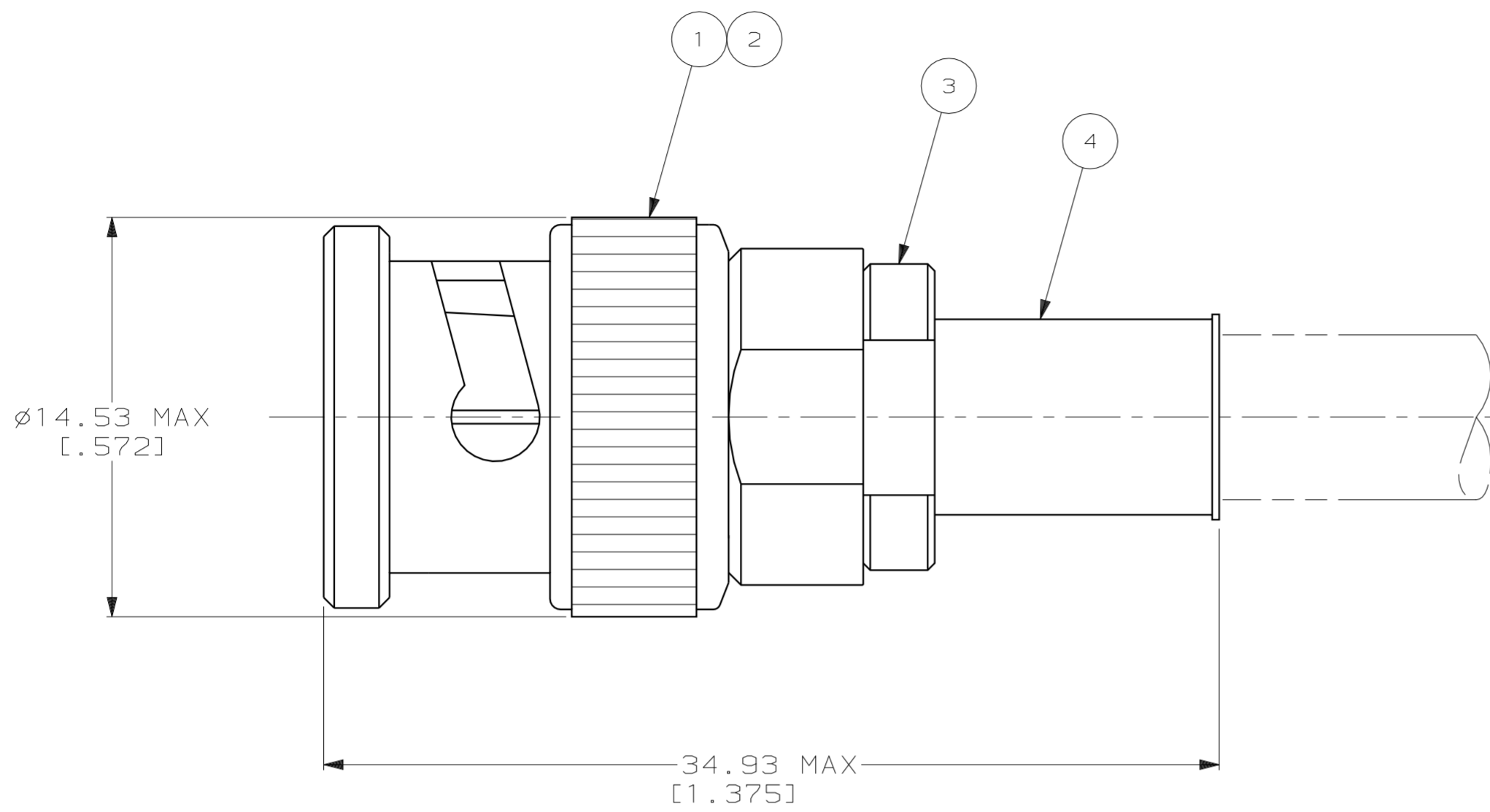
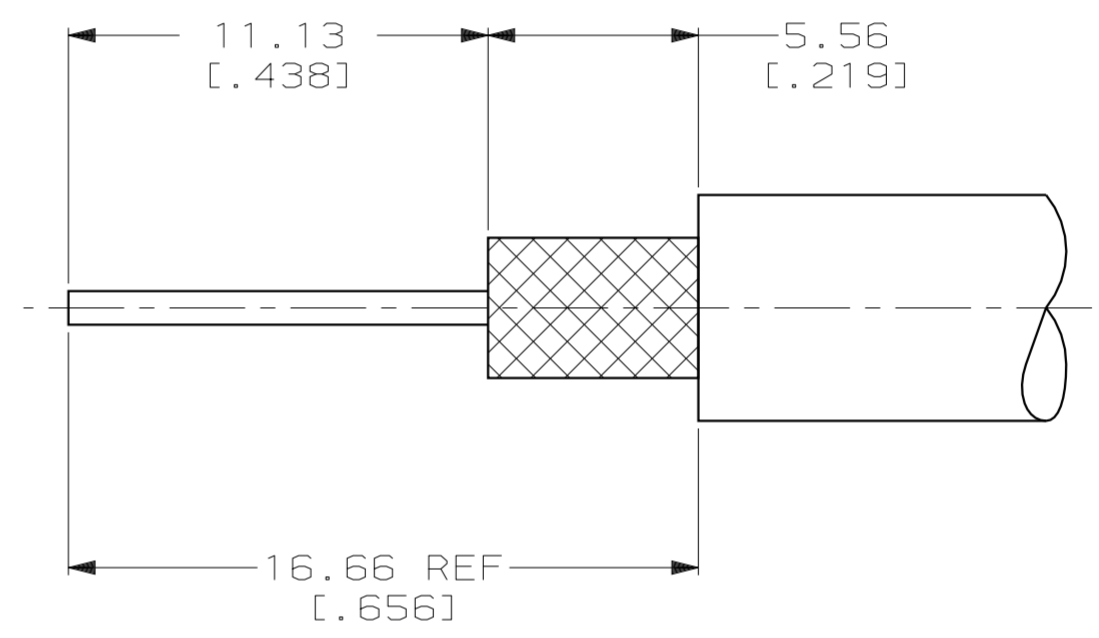


LOC	DIST	P	F	ZONE	LTR	REVISIONS	DATE	APPD
AJ	16				L	DESCRIPTION		
						OBSOLETE -22 PER 0E10-0130-99	13DEC99	MO



- 1. FOR CABLE: RG-59/U, 59A/U, 59B/U, 62/U, 62A/U, 62B/U, 124/U, 140/U, 210/U
- 2. USE INSTRUCTION SHEET 1799-1



RECOMMENDED STRIP LENGTH
NO SCALE

OBSOLETE	-	-	-	-	-	-	-	7-329445-2
OBSOLETE	-	-	-	-	-	-	-	7-329445-1
OBSOLETE	RG-71/U, 71A/U, 71B/U	69141-2	329460	50780-3	2-329106-1	329804	2-329445-2	
	1	69141-1	329041	50780-3	2-329106-1	329804	2-329445-1	
SUPERSEDED BY 2-329445-1	-	-	-	-	-	-	329445	
	CABLE	CRIMP TOOL	4 FERRULE QTY=1	3 CRIMP END ASSEMBLY QTY=1	2 GASKET QTY=1	1 PLUG ASSEMBLY QTY=1	PART NUMBER	

DO NOT SCALE PRINT. UNLESS SPECIFIED DIMENSIONS IN mm [INCHES] TOLERANCES ON: 2 PLC DEC ± 0.41 [.016] 3 PLC DEC ± - ANGLES ± -	DR 14FEB96 MICHAEL E. COWHER CHK 15FEB96 FRANK P. MORANA APPD 15FEB96 FRANK P. MORANA APPD 15FEB96 MICHAEL E. COWHER	AMP AMP Incorporated Harrisburg, PA 17105-3608	
MATERIAL -	PRODUCT SPEC -	NAME PLUG, BNC	
FINISH -	APPLICATION SPEC -	SIZE CAGE CODE C 00779	DRAWING NO 329445
	WEIGHT -	SCALE 5:1	SHEET 1 OF 1