



X-Board V2 (SKU:DFR0162)



X-Board V2, DFR0162

Contents

- [1 Introduction](#)
- [2 Specifications](#)
- [3 Pinouts](#)
- [4 Tutorial](#)
 - [4.1 Requirements](#)
 - [4.2 Wiring Diagram](#)
 - [4.3 Sample code](#)

Introduction

This is Version 2.0 of the X-board. The main improvement is that it now operates at 5V, making it compatible with most sensors and I2C protocol without the need of a voltage level converter.

The XBoard is a unique Arduino board which features a WIZnet ethernet port, an XBee socket, and an ATmega328. This board will add wireless XBee control as well as internet connectivity to your projects. Its great for anything from home automation to robot control. The possibilities are endless!

It has 8 Analog I/O pins and 8 digital pins, 4 of which have PWM (indicated by an asterisk). It is compatible with all XBee modules, and also comes with an integrated socket for APC220 RF Module or DF-Bluetooth Module. The XBoard can be programmed via an FTDI programmer or via the ICSP header. Power is provided through a Mini USB connector. You can setup a web server through

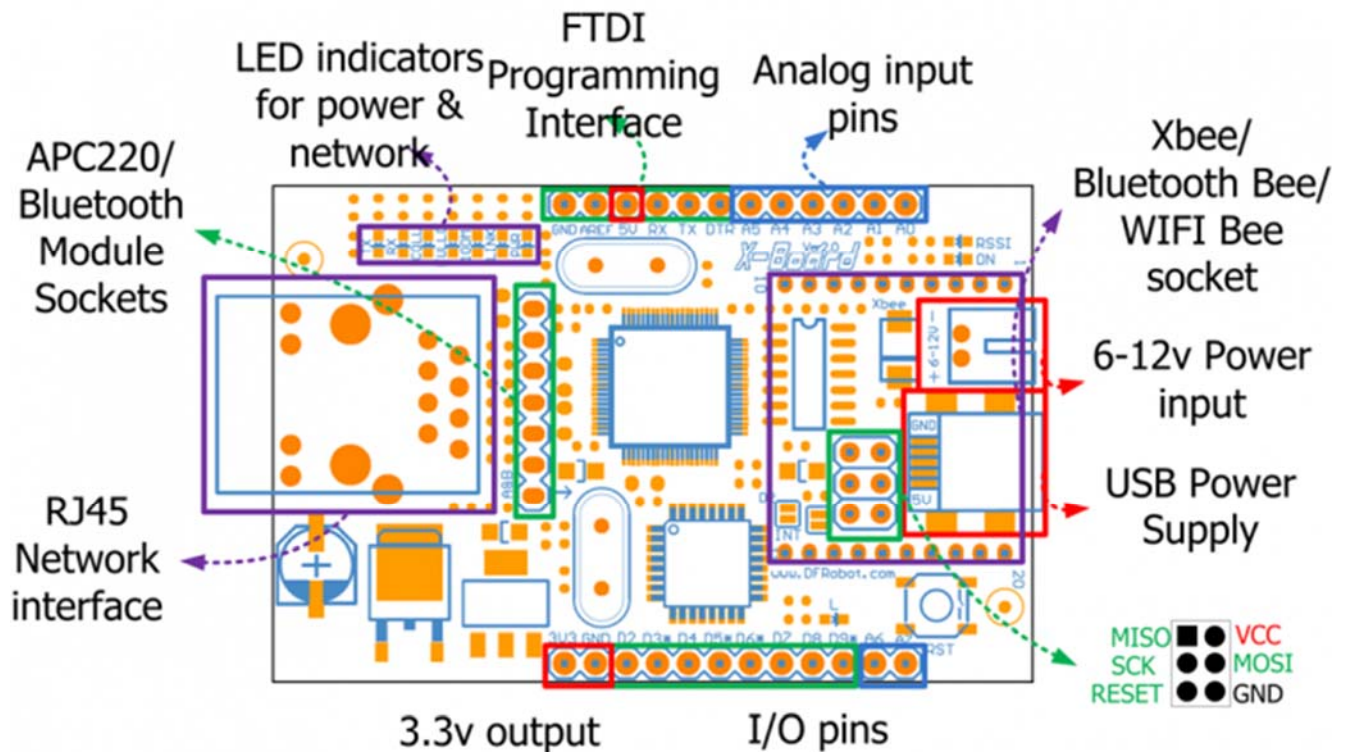
which you may communicate with a remote Arduino using XBee radios, bluetooth or APC modules. This information can be posted to a web site, or to Twitter.

We have used our XBoard to control our office door from the internet. All we need to do if we forget our RFID badge is to login to our office WiFi and send the command to open the door! We have created a project guide which includes the list of parts, and source code to get this project going for yourself. The board requires FTDI basic board to upload sketches. It can be powered by a mini USB.

Specifications

Basic	Led
MCU: Atmega328P low voltage version (16Mhz) Ethernet: WIZ5100 Arduino Uno Bootloader Supply voltage: 5~12v Output voltage: 5v/3.3v Digital IO: 8 Analog IO: 8 Environment Friendly: ROHS Compliance	PWR: indicates that the board and shield are powered LINK: indicates the presence of a network link and flashes when the shield transmits or receives data FULLD: indicates that the network connection is full duplex 100M: indicates the presence of a 100 Mb/s network connection (as opposed to 10 Mb/s) RX: flashes when the shield receives data TX: flashes when the shield sends data COLL: flashes when network collisions are detected

Pinouts



Xboard v2 pinout

Tutorial

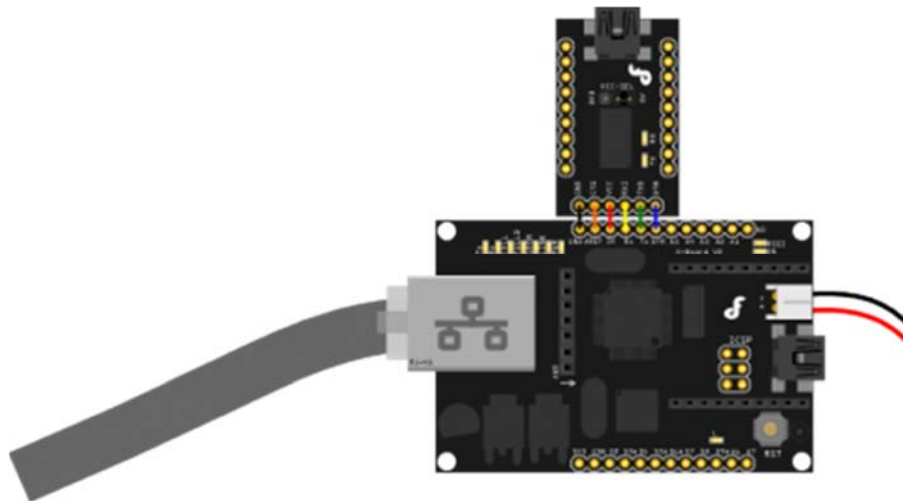
Requirements

- **Hardware**
 - X-Board V2 x1
 - FTDI Basic Breakout x1
 - Ethernet cable x1
 - USB x1
- **Software**
 - Arduino IDE V1.6.8 [Click to Download Arduino IDE from Arduino®](#)

Wiring Diagram

This connection diagram shows how to connect the FTDI programmer to the X-board for uploading an Arduino sketch.

NOTE: Please select "arduino UNO" from the boards list in the Arduino IDE.



X-Board Connection Diagram: How to connect FTDI programmer

Sample code

```
#include <Client.h>
#include <Ethernet.h>
#include <Server.h>
#include <Udp.h>
#include <SPI.h>
```

```

/*
 * Web Server
 *
 * A simple web server: Displays a button to open/close
 * a door and door status
 */
//-----BEGIN Variable setup -----
-

String readString = String(30); //string for fetching data from address
boolean LEDON = false; //LED status flag

int state;
int val=0;

byte mac[] = {
  0xDE, 0xAD, 0xBE, 0xEF, 0xFE, 0xED };
byte ip[] = {
  192, 168, 0, 177 }; //Change your IP Address here
Server server(80); //Standard HTTP server port

//-----END Variable setup-----

void setup()
{
  pinMode(4, OUTPUT);

  Ethernet.begin(mac, ip);
  server.begin();
  delay(100);
  Serial.begin(57600); //XBee module Baud rate
  delay(100);
}

```

```

void loop()
{
//-----Web Server initialization-----
Client client = server.available();
if (client) {

boolean current_line_is_blank = true;
while (client.connected()) {
if (client.available()) {
char c = client.read();
if (readString.length() < 100)
{

readString += c;
}

//////////Check button status to determine actions to take for submit button
//////////

if(readString.indexOf("IO=1") >0){ // If door open request sent;
// send instruction to remote arduino
if (LEDON== false){ //Ensure it only send the info once
//led has to be turned ON
LEDON = true; //Change LED state to print on the page
Serial.print('G'); //Send command to remote Arduino
}
}
if(readString.indexOf("IO=0") >0){//Same as above but not used in
//this application

if (LEDON== true){
//led has to be turned OFF
LEDON = false;
Serial.print('K');
}
}
}
}
}
}

```

```
//////////Finish checking and actions for submit button//////////  
/
```

```
//-----Standard web Server Jargon-----  
  
    if (c == 'n' && current_line_is_blank) {  
        // send a standard http response header  
        client.println("HTTP/1.1 200 OK");  
        client.println("Content-Type: html");  
        client.println();  
        client.println("<html>");  
        client.println("<head>");  
        client.println("<title>Xboard interface--Door control</title>");  
        client.println("</head>");  
        client.println("<body>");  
        client.print("welcome to DFRobot"); //Print your own message here  
        client.println("<br />");  
        client.print("//*****");  
        client.println("<br />");  
        client.println("<br />");  
        client.print("//*****");  
        client.println("<br />");  
        client.println("<br />");  
        client.print("<form>");  
        client.print("<input type=radio name=IO value=1 /> Open<br />");  
        client.print("<input type=submit value=Submit/> </form><br />");  
        client.println("</body>");  
        break;  
    }  
  
    if (c == 'n') {  
        // we're starting a new line  
        current_line_is_blank = true;  
    }  
}
```

```

    else if (c != 'r') {
        // we've gotten a character on the current line
        current_line_is_blank = false;
    }
}
}

//-----END Standard web Server Jargon-----
-----

//-----Print door status on web page and auto refresh-----
-----

    if (LEDON){
        //printing LED status
        client.print("<font size='5'>DOOR status: ");
        client.println("<font color='green' size='5'>OPEN");
        client.println("<META HTTP-EQUIV=REFRESH CONTENT=2;url=http://192.16
8.0.177/>"); //Autorefresh
        //Auto-refresh the site after 2 seconds to reset the d
oor status to closed
    }
    else{
        client.print("<font size='5'>DOOR status: ");
        client.println("<font color='grey' size='5'>CLOSED");
    }

    client.println("<hr />");
    client.println("<hr />");
    client.println("</body></html>");
    //clearing string for next read
    readString="";

//-----END Print door status on web page and auto refresh-----
-----

    client.stop();
}

/*Routine to read response from remote Arduino
*and light local LED on PIN4

```

```

*/
if (Serial.available() > 0) {
  val = Serial.read();
  if (val == 'H') { //These values ('H')can be changed to what ever you want
                    //just make sure you change them in both the server
                    //program and the client program

    digitalWrite(4, HIGH);
    delay (20);
  }
  if (val == 'L') {
    digitalWrite(4, LOW);
    delay (20);
  }
}
}
}
}

```

The main differences between all 3 versions of the X-Board shown in the flowing table:

	X-board V1	X-board V1.1	X-board V2
Operating Voltage	3.3V	3.3V	5V
Supply Voltage	3.3V	3.3V	6V - 12V
Battery Supply	3.3V	3.3V	6V - 12V
BootLoader (Board)	FIO	UNO	UNO
Crystal	8Mhz	16Mhz	16Mhz

Version Difference Table