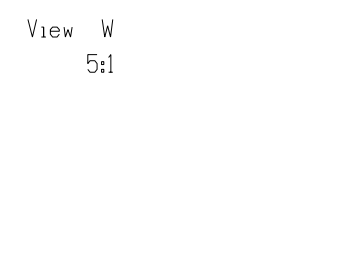
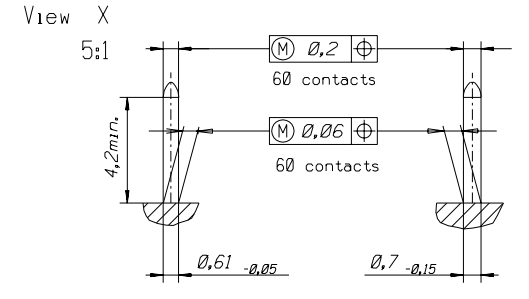
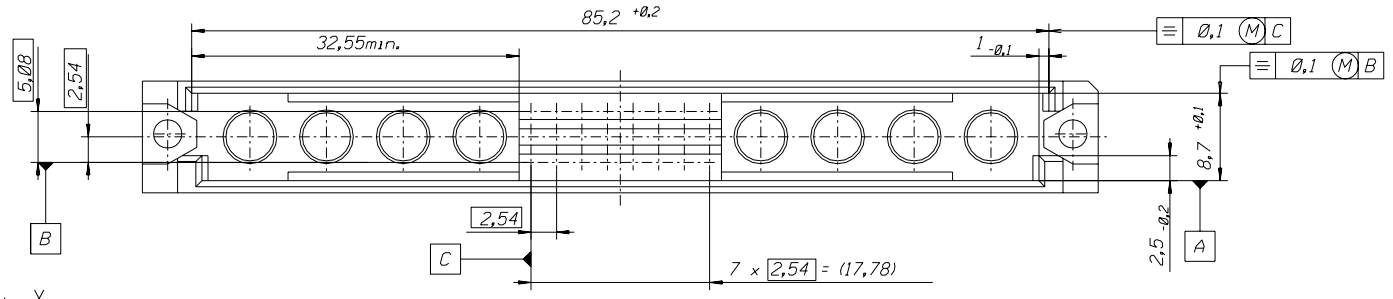
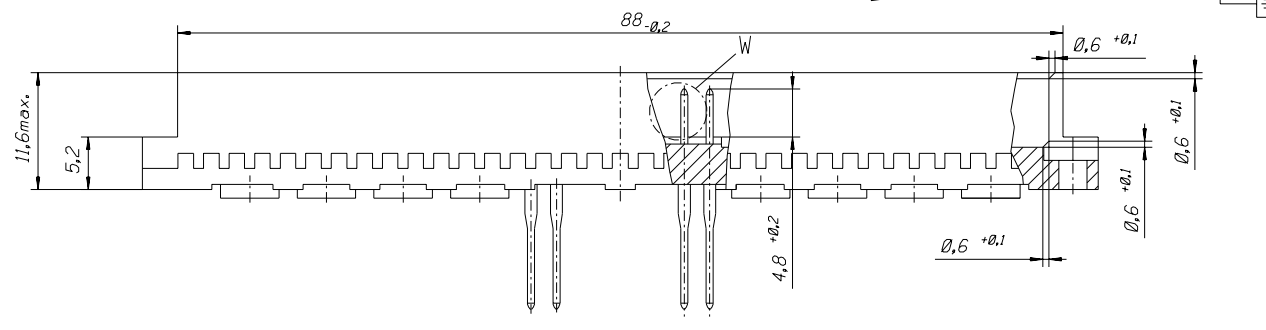
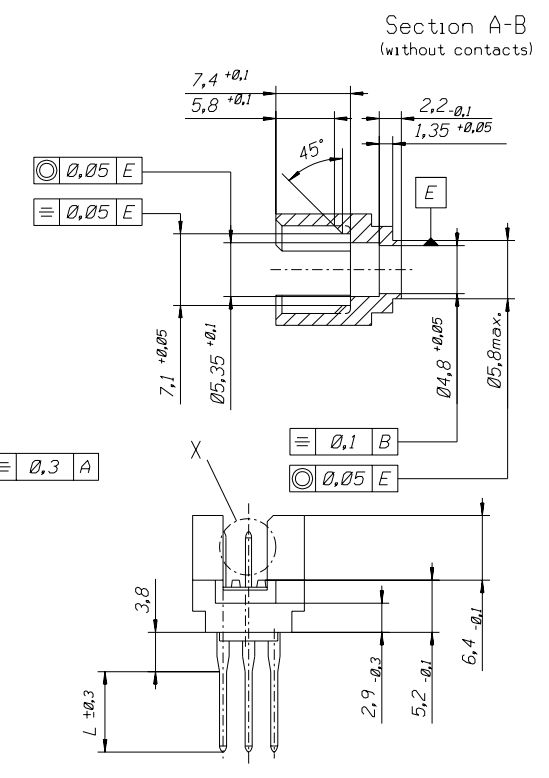
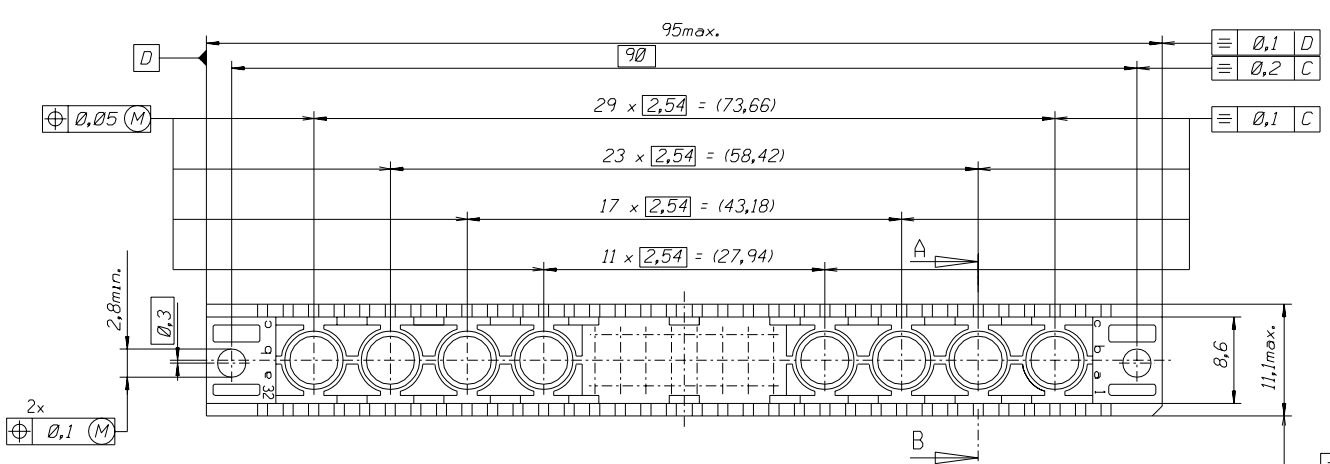


PART NO.  
DWG. NO.



FIRST ANGLE PROJECTION		REVISE ONLY ON CAD SYSTEM		SH.	REV.
REVISIONS FOR PREVIOUS REVISIONS SEE WRL LIST	UNLESS OTHERWISE SPECIFIED TOLERANCES: ANGULAR ±2°	DRWG BY	SIGN	CAD/CAM PROJECT NAME 60393251	
	INCH	Ca		THIS DRAWING CONTAINS INFORMATION THAT IS PROPRIETARY TO MOLEX INC. & SHOULD NOT BE USED WITHOUT WRITTEN PERMISSION	
	METRIC	CHK'D BY	SIGN	TITLE 24 pos. Male connector DIN 41612 style M (C-Pin) inverted / Dimensions	
	3 PLACE ± . ±	KN		MOLEX EUROPE	
2 PLACE ± . ±		APP'D BY	SIGN	SHEET NO. DATE 1 OF 3 93/05/05	
1 PLACE ± . ±				PART NO. see sh. no. 2 of 3	SIZE B
DRAFT WHERE APPLICABLE MUST REMAIN WITHIN DIMENSIONS		SCALE		DWG NO. 603-6093-25	
DESIGN DIMENSION	<input type="checkbox"/> MM <input type="checkbox"/> IN.	2:1			
EQUIVALENT DIMENSION	<input type="checkbox"/> MM <input type="checkbox"/> IN.				
IF TWO DIMENSIONS ARE SHOWN THE UPPER IS THE DESIGN DIMENSION, LOWER IS SECONDARY					