

MODEL:

SRGROUNDANELBC

SmartRack® 1U Antistatic (ESD) Grounding Panel



ESD Protection



Banana Plug Compatibility



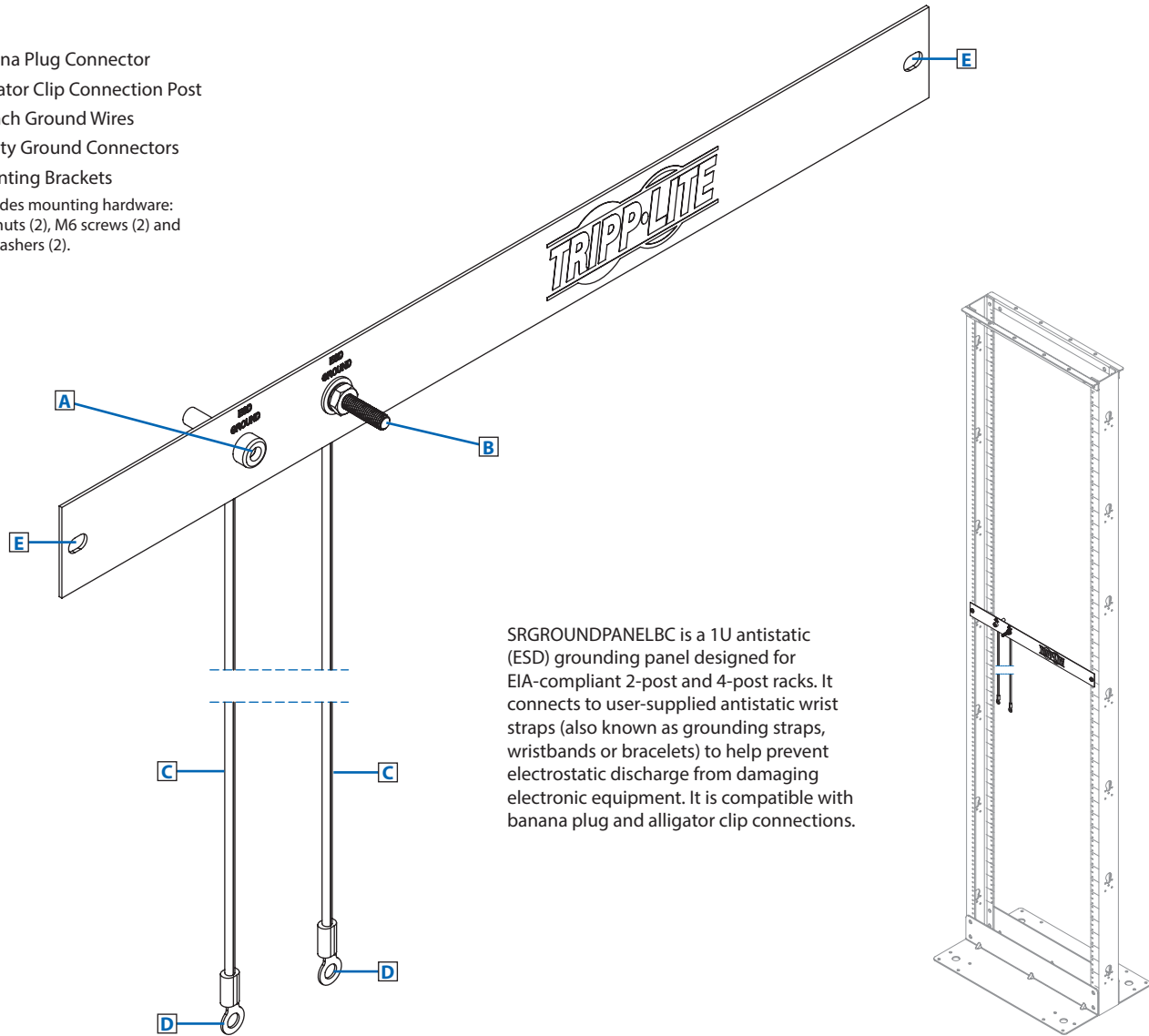
Alligator Clip Compatibility



Sturdy Steel Construction

- A** Banana Plug Connector
- B** Alligator Clip Connection Post
- C** 48-inch Ground Wires
- D** Facility Ground Connectors
- E** Mounting Brackets

Also includes mounting hardware:
M6 cage nuts (2), M6 screws (2) and
M6 cup washers (2).



SRGROUNDANELBC is a 1U antistatic (ESD) grounding panel designed for EIA-compliant 2-post and 4-post racks. It connects to user-supplied antistatic wrist straps (also known as grounding straps, wristbands or bracelets) to help prevent electrostatic discharge from damaging electronic equipment. It is compatible with banana plug and alligator clip connections.



Specifications

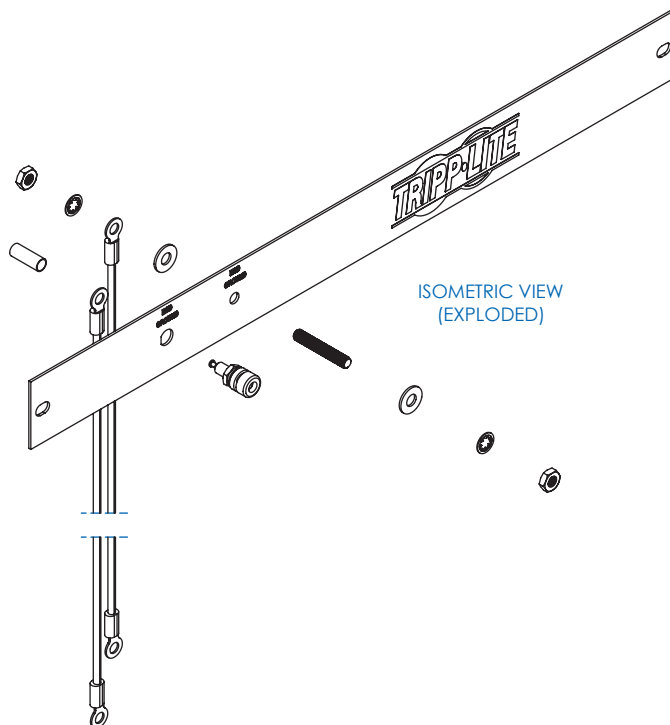
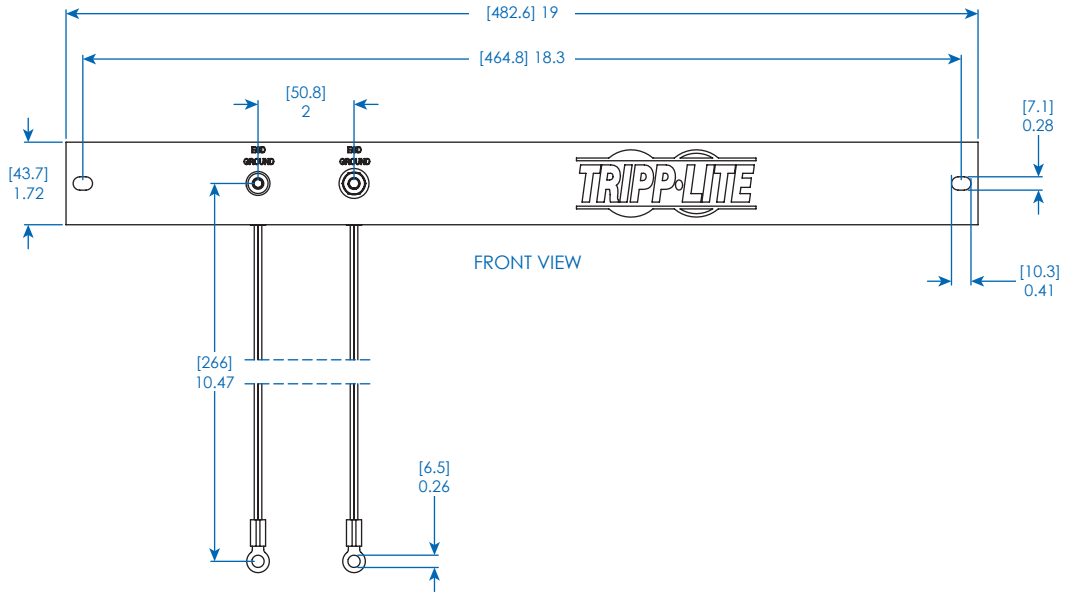
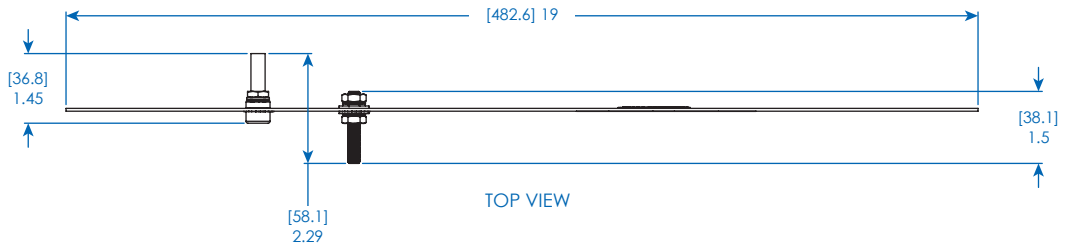
Model	SRGROUNDANELBC
Unit Dimensions (H x W x D)	1.72 x 2 x 19 in. (43.7 x 50.8 x 482.6 mm)
Shipping Dimensions (H x W x D)	3 x 3 x 22 in. (77 x 77 x 560 mm)
Unit Weight	0.5 lb (0.23 kg)
Shipping Weight	1.1 lb (.5 kg)
Standards	GOST, RoHS

Tripp Lite has a policy of continuous improvement. Specifications are subject to change without notice.

SEE NEXT PAGE FOR DETAILED UNIT MEASUREMENTS



1111 W. 35th Street
Chicago, IL 60609 USA
773.869.1234
www.tripplite.com



Dimensions: [mm] INCHES

Tripp Lite has a policy of continuous improvement. Specifications are subject to change without notice.

MODEL:
SRGROUND PANEL B/C

TRIPP-LITE

1111 W. 35th Street
Chicago, IL 60609 USA
773.869.1234

www.tripplite.com