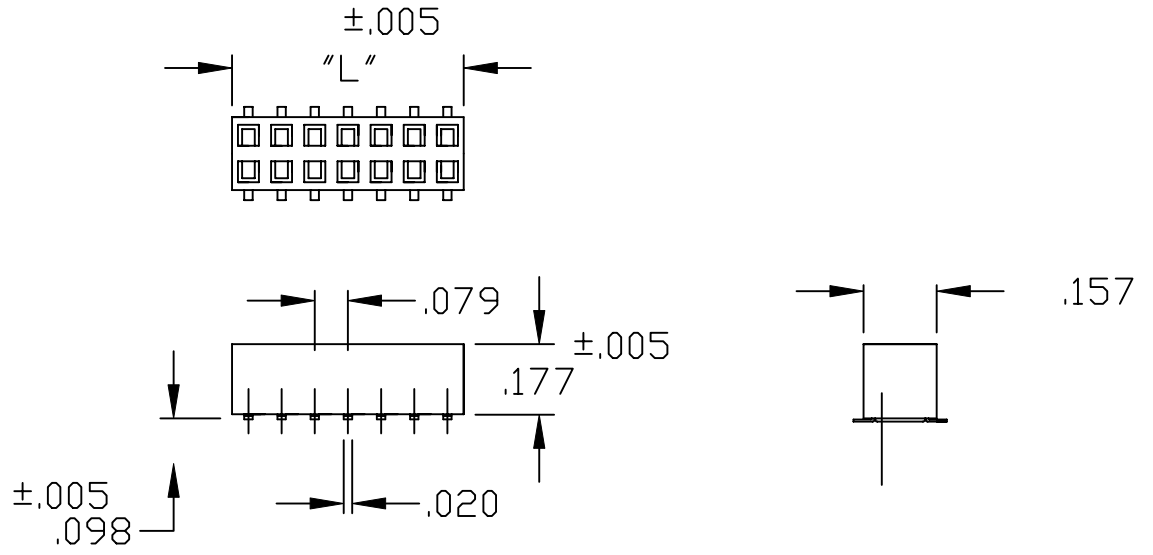


**DESCRIPTION: 2MM DUAL ROW RECEPTACLE SMT**

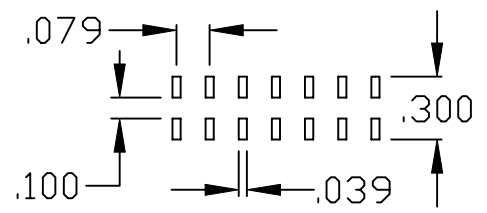
"L" = NO. OF CONTACTS PER ROW X .079

**MATERIAL:**  
 HOUSING: NYLON 6T (UL 94V-0) BLACK  
 CONTACT: PHOSPHOR BRONZE  
 PLATING: GOLD FLASH MATING SIDE  
 100u" TIN ON BOARD SIDE  
 RoHS COMPLIANT

**ELECTRICAL:**  
 CURRENT RATING: 1 AMP  
 CONTACT RESISTANCE: 20 mOHM MAX.  
 INSULATOR RESISTANCE: 5000 MEGOHMS MIN.  
 DWV: 500V AC  
 OPERATING TEMP:  
 -40°C TO +105°C  
 PROCESSING TEMP:  
 260°C FOR 10 SECONDS



**PCB LAYOUT**



**2864 YY 06RP2**

**SERIES** \_\_\_\_\_  
 2864 = DUAL ROW

**POSITIONS** \_\_\_\_\_  
 DUAL - INCREMENTS OF 2  
 (06 TO 80)

**TYPE:** \_\_\_\_\_  
 06 = SURFACE MOUNT

**PLATING:** \_\_\_\_\_  
 P2 = GOLD FLASH

	THESE DRAWINGS AND SPECIFICATIONS ARE THE PROPERTY OF NorComp AND SHALL NOT BE REPRODUCED, COPIED OR USED AS THE BASIS FOR THE MANUFACTURE OF APPARATUS WITHOUT WRITTEN PERMISSION.		DRAWN: PAM JENKINS	DATE: 1-30-06
	<h1>NorComp</h1>		CHECKED:	DATE:
SCALE: NTS			SHEET 1	OF 1
DWG NO.		<b>2864YY06RP2</b>		