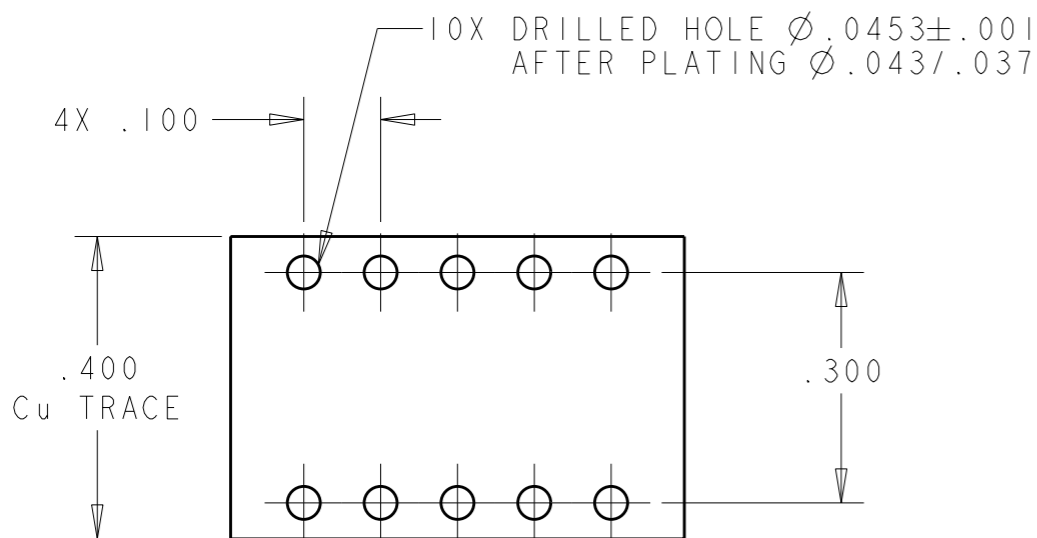
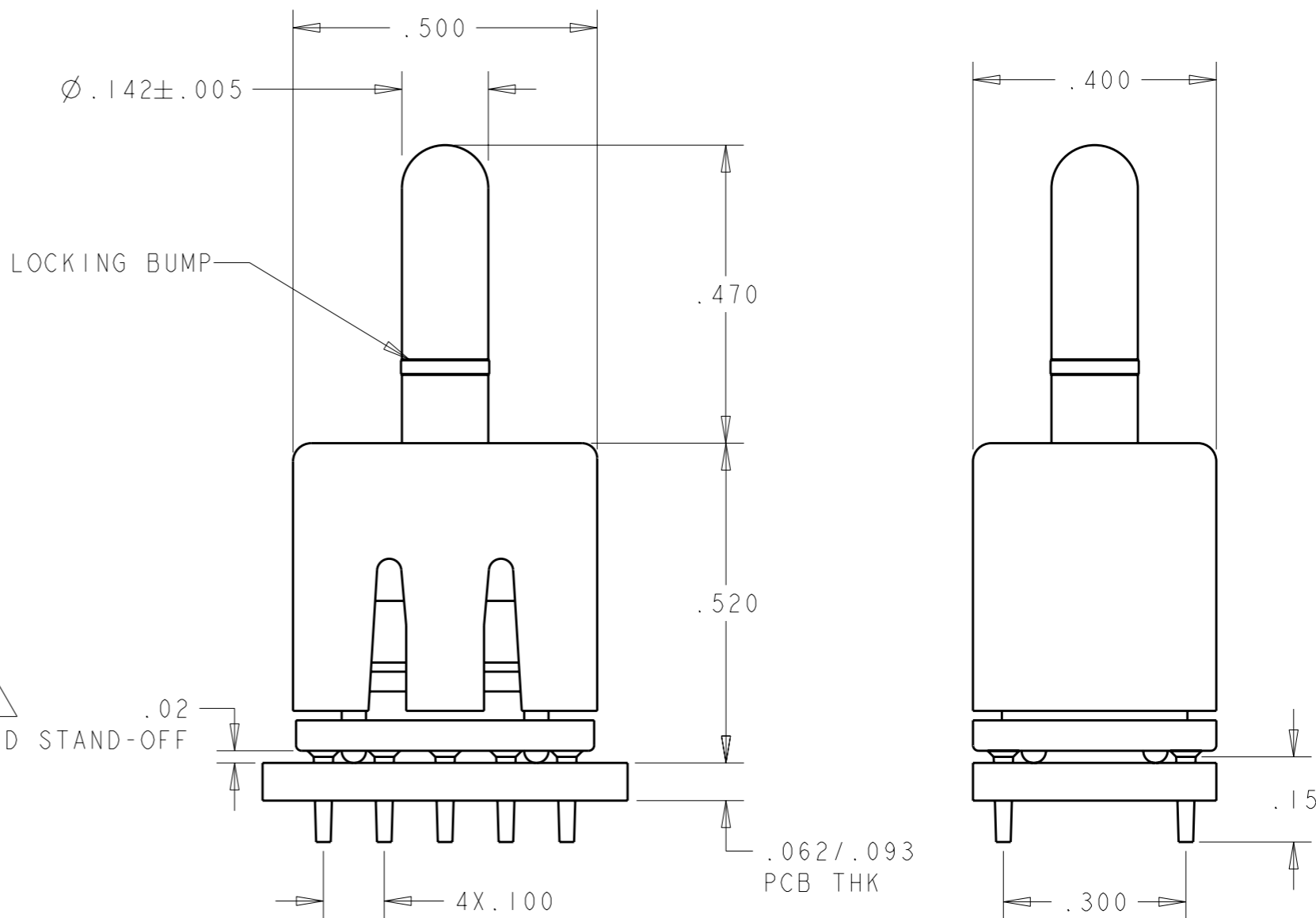


LOC	DIST	REVISIONS				
P	LTR	DESCRIPTION	DATE	DWN	APVD	
GP	00	B	REV PER ECO-10-020184	11JAN2011	RG	NE



RECOMMENDED FOOTPRINT



- PART NUMBER CHANGES AND/OR DESIGN CHANGES AFFECTING ITEM INTERCHANGEABILITY REQUIRE PRIOR TYCO ELECTRONICS APPROVAL AND AUTHORIZATION BY REVISION TO THIS DRAWING.
- ITEM PROVIDED TO THIS SPECIFICATION SHALL BE IDENTIFIED ON CONTAINER WITH THE FOLLOWING INFORMATION, PART NUMBER AND DATE CODE OF MANUFACTURE.
- MATERIAL:
INSULATOR - POLYESTER, GLASS FILLED, UL 94 V-0
RATED COLOR: BLACK
MODULE: ZINC ALLOY
CROWN: COPPER ALLOY
PIN CONTACT: BRASS ALLOY
- FINISH:
MODULE-SILVER .0002 MIN THK OVER NICKEL .00005 MIN THK OVER COPPER .00001 MIN THK.
CROWN- GOLD IN CONTACT AREA .00003 MIN THK. OVER NICKEL .00005 MIN THK.
PIN CONTACT - SILVER PLATE .000200 MIN THK. OVER NICKEL .000040 MIN THK.

5
BOARD STAND-OFF

5 A FIVE POUND (5lb) FORCE REQUIRED TO CORRECTLY SEAT THE CONNECTOR WITH THE PLATED THRU HOLES LESS THAN $\phi .040$ INCH.

AS SHOWN	6643266-1
DESCRIPTION	PART NUMBER

THIS DRAWING IS A CONTROLLED DOCUMENT FOR TYCO ELECTRONICS CORPORATION IT IS SUBJECT TO CHANGE AND THE CONTROLLING ENGINEERING ORGANIZATION SHOULD BE CONTACTED FOR THE LATEST REVISION.		DWN 11JAN2011 LOVATO/GRZYBOWSKI	Tyco Electronics Harrisburg, PA 17105-3608	
DIMENSIONS: INCH		CHK D. ORRIS	NAME CONNECTOR, PIN, PERPENDICULAR WITH THRU HOLE LOCKING STYLE, ICCON	
TOLERANCES UNLESS OTHERWISE SPECIFIED: 0 PLC \pm - 1 PLC \pm - 2 PLC \pm - 3 PLC $\pm .020$ 4 PLC \pm - ANGLES $\pm .5$		APVD 11JAN2011 D. ORRIS	RESTRICTED TO	
MATERIAL SEE LIST		PRODUCT SPEC -	SIZE A3	CAGE CODE 00779
		APPLICATION SPEC -	DRAWING NO C-6643266	
		WEIGHT -	SCALE 4:1	
		CUSTOMER DRAWING		SHEET 1
				OF 1
				REV B