

1

2

3

4

A

B

C

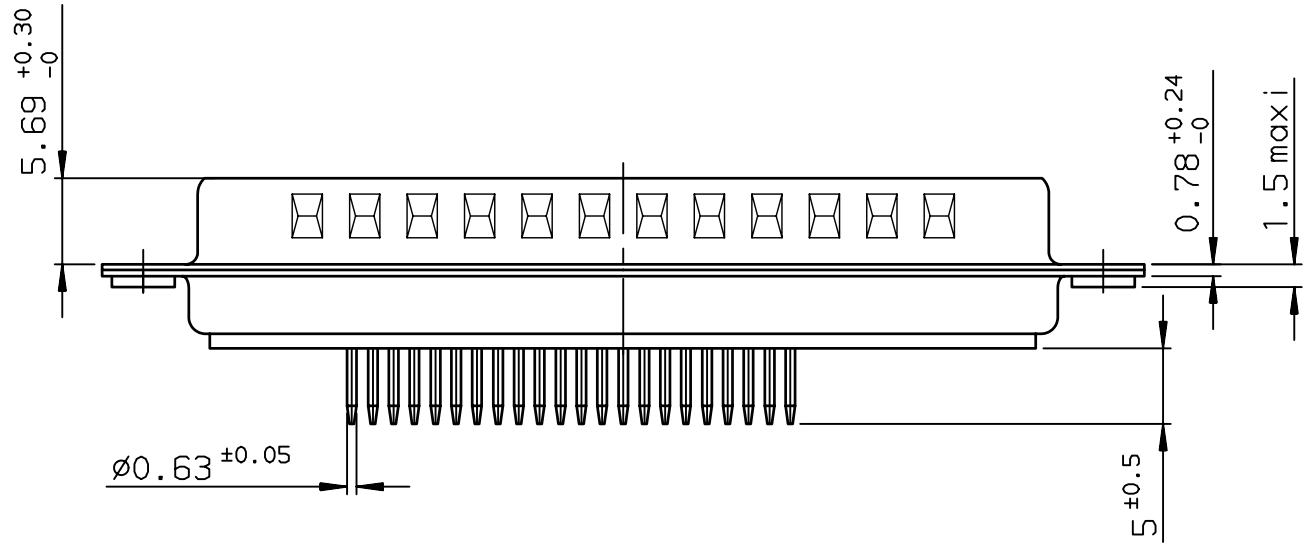
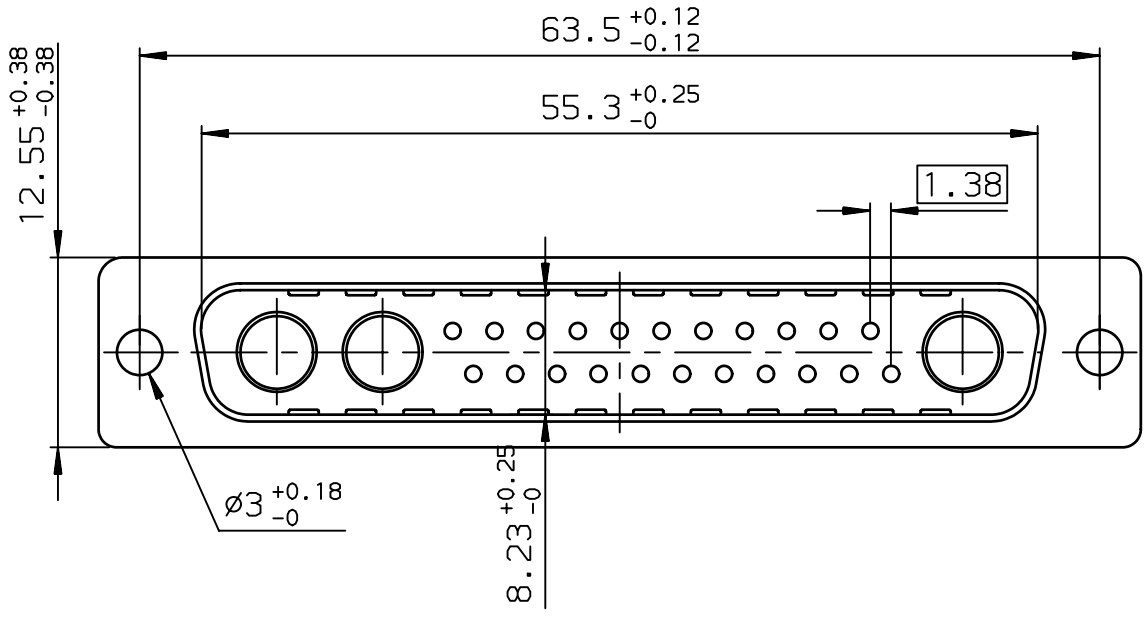
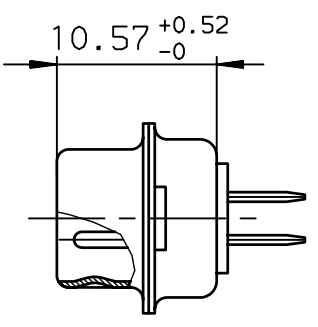
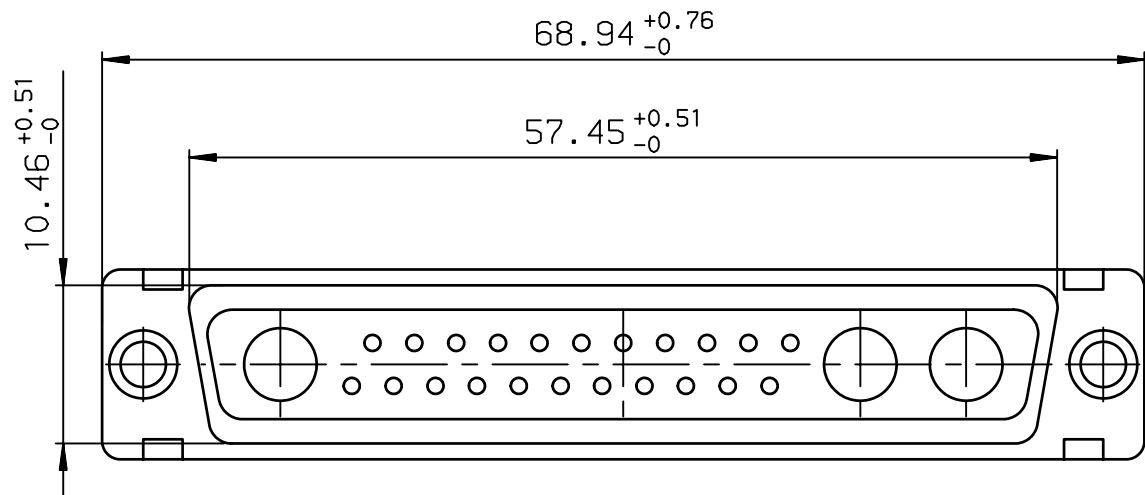
D

A

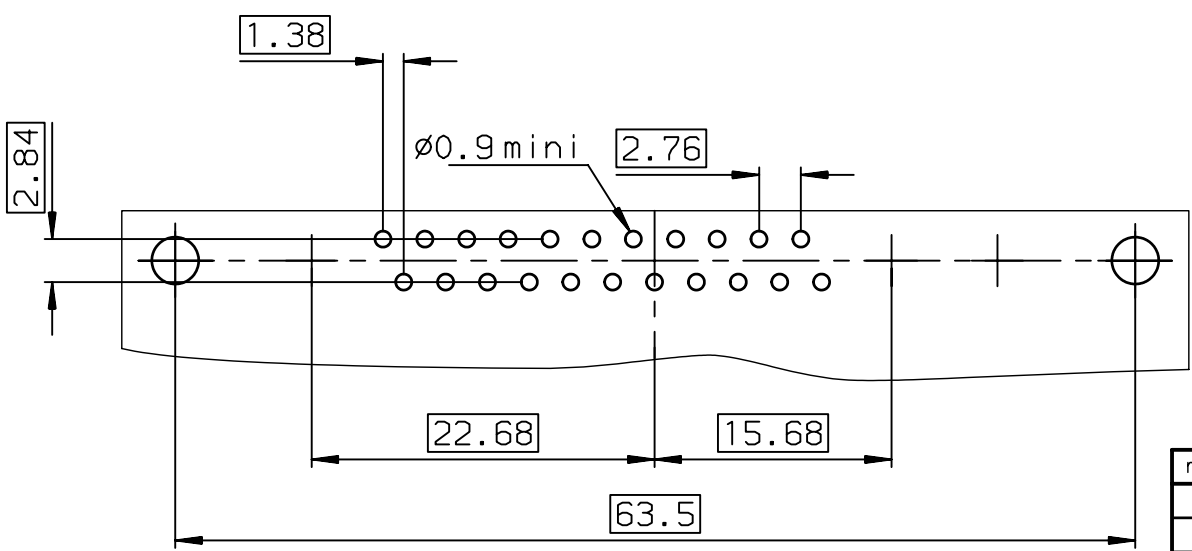
B

C

D



LAYOUT DIMENSIONS (after plating)  
CONNECTOR SIDE VIEW



DC25W3P300A00LF  
PART NUMBER

GENERAL CHARACTERISTICS AND ROHS INFORMATIONS:  
SEE DRAWING C01-8639-0000

European Views

www.fciconnect.com		surface ISO 1302	tolerance std ISO 406 ISO 1101	projection 	mm
TOLERANCES UNLESS OTHERWISE SPECIFIED					
Dr	PESSON	2005/12/01	ANGULAR	0.X	±0.1
Eng	PESSON	2005/12/01	LINEAR	0.XX	±0.1
Chr	LEGARE	2005/12/01	0.XX' ±2'	0.XXX	±0.1
Appr	LEGARE	2005/12/01	Product family	D-SUB	Spec ref -

rev	ecn no	dr	date
A	LS05-0106	MPE	2005/12/01
B	LS06-0095	LGO	2006/06/16
-	-	-	-
-	-	-	-
-	-	-	-
-	-	-	-

	title PIN CONNECTORS SUB D WITH STRAIGHT SPILLS	dwg no C01-8639-2267	Rev. B
catalog no	-	CUSTOMER	sheet 1 of 1

Copyright FCI.

1

2

3

4