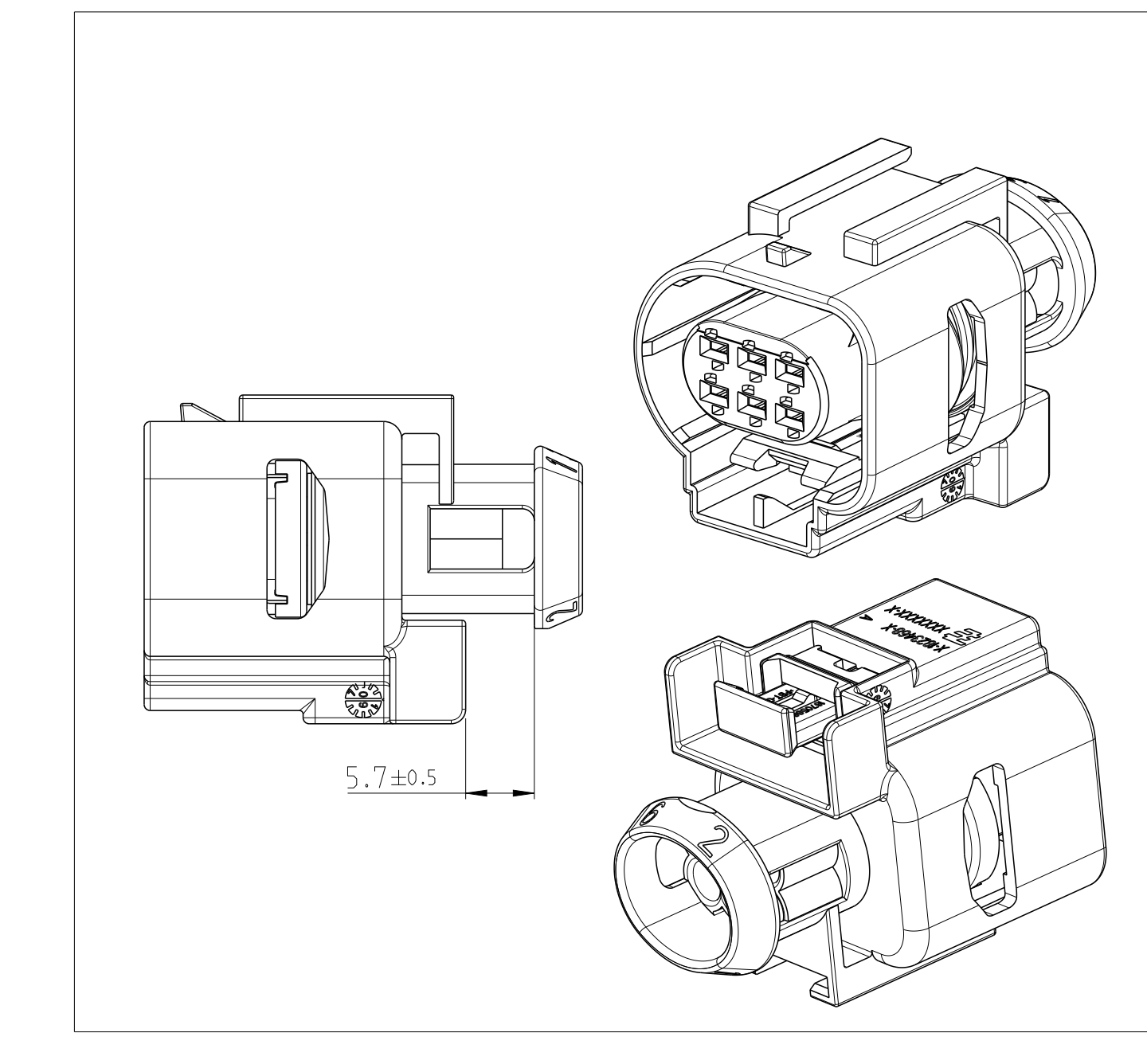
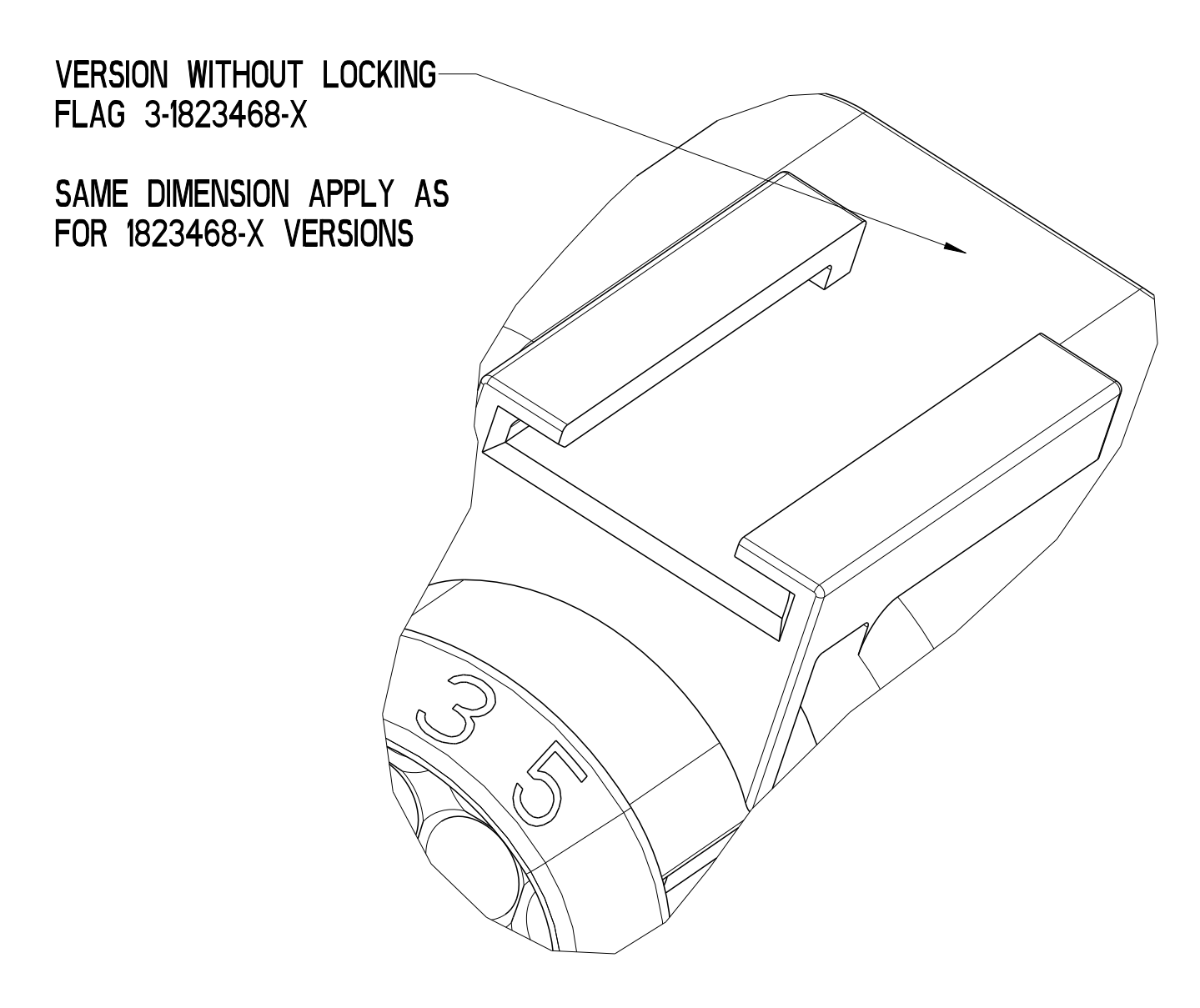
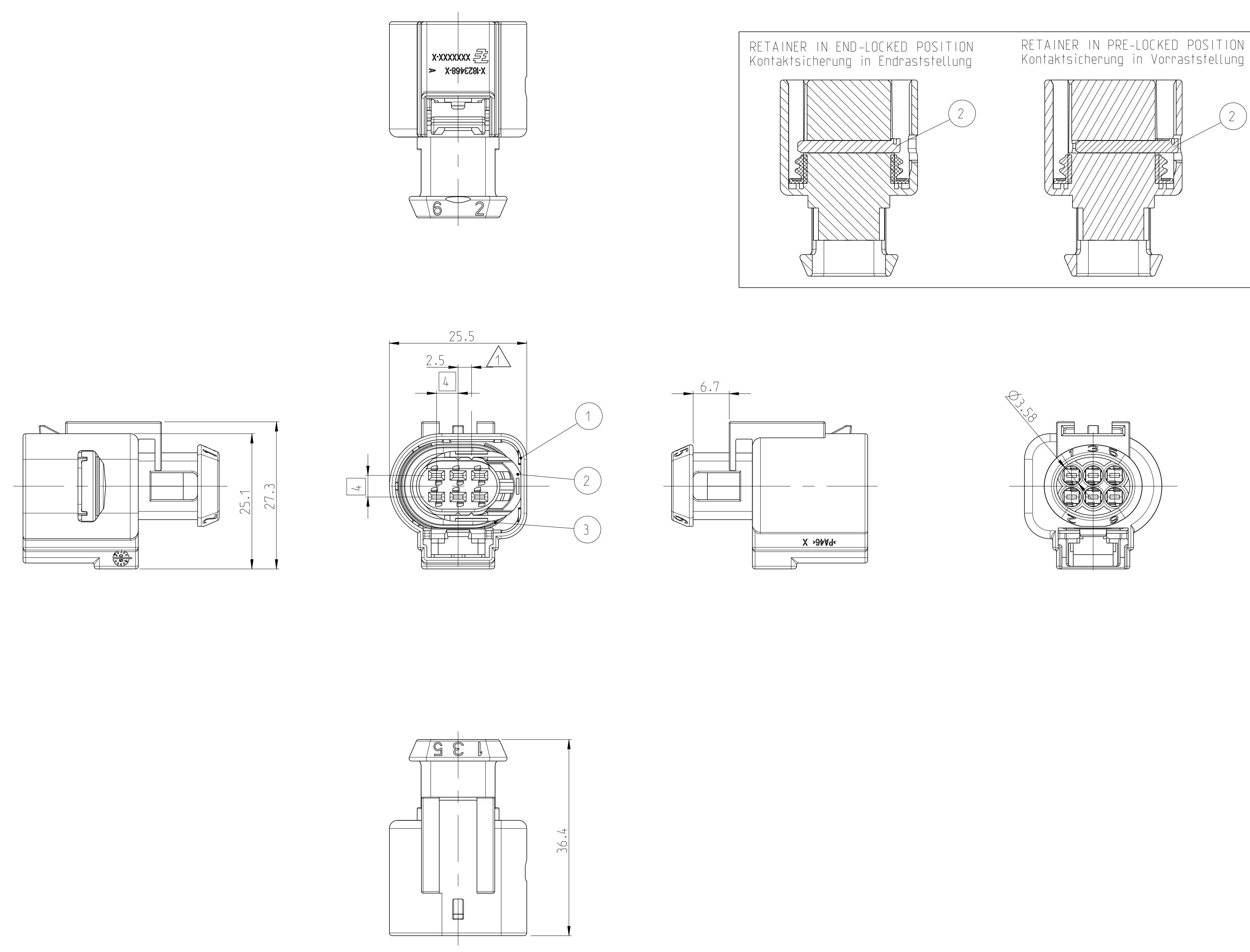
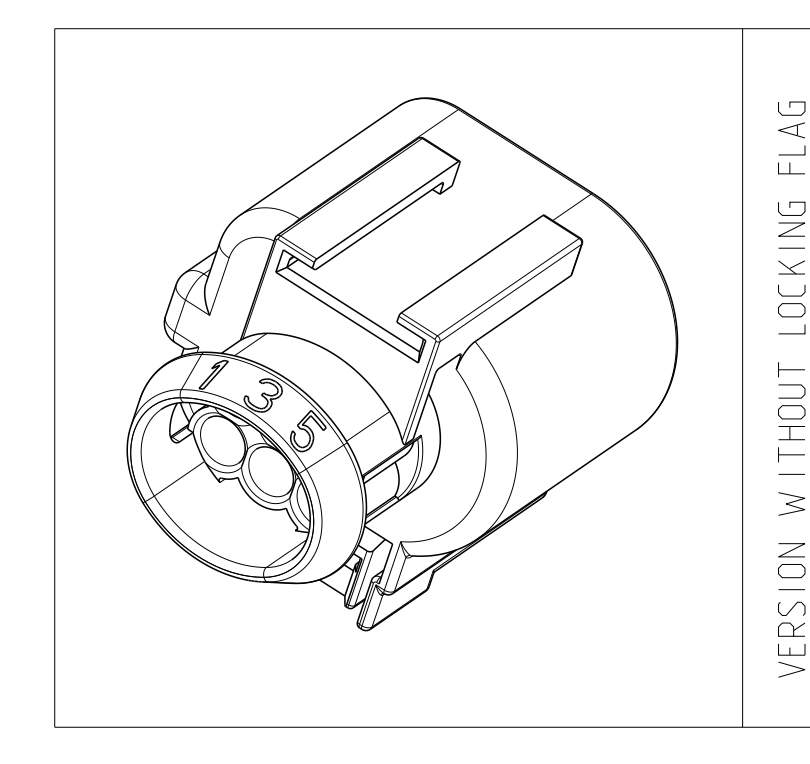


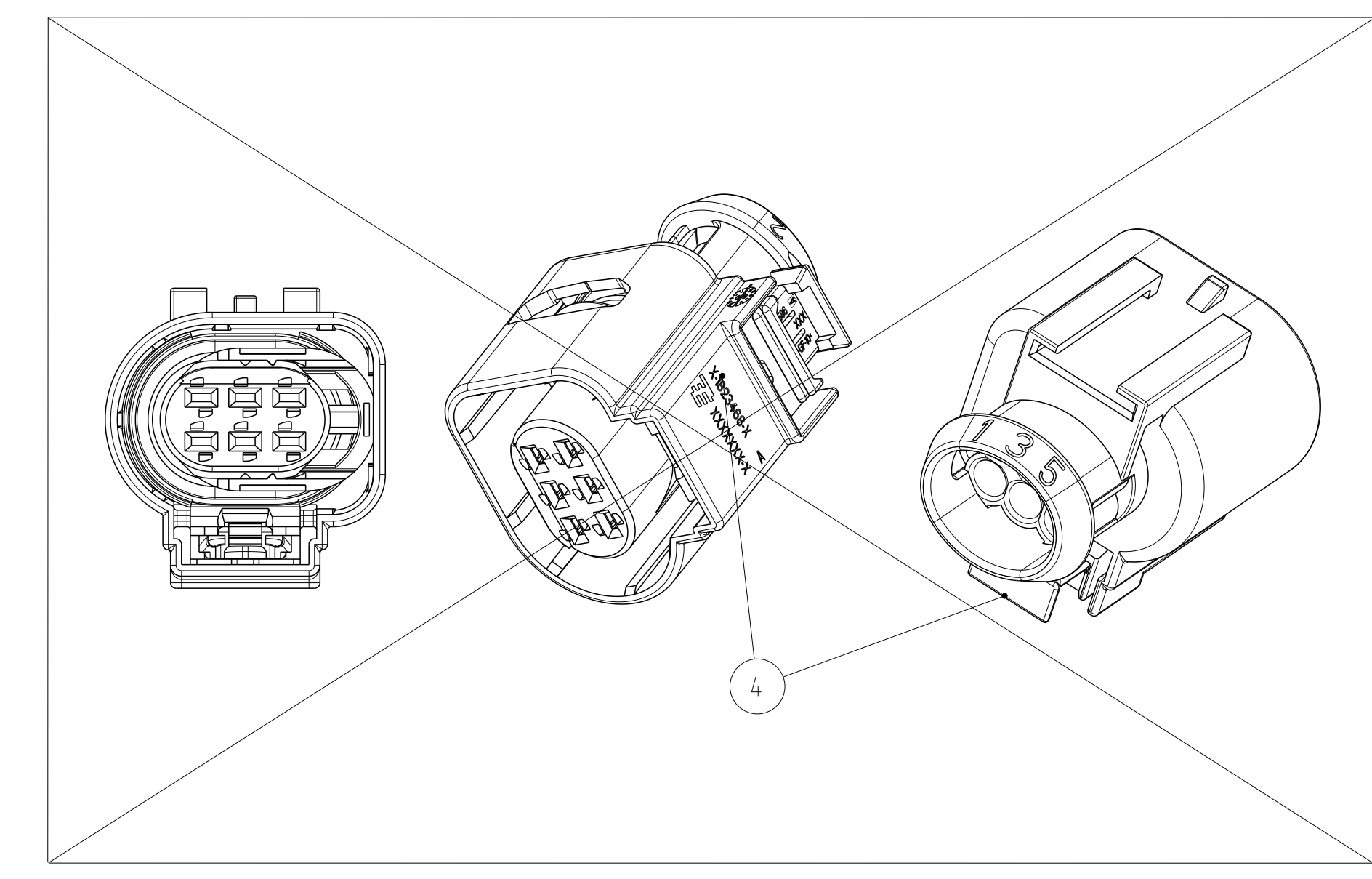
REVOLUTIONS		DATE	BY	APPV
C 9	E-15-010238	17JAN2015	CS	HR
C 10	ECR-15-016262	06NOV2015	SH	HR
C 11	ECR-16-001421	04FEB2016	SMS	YA
C 12	ECR-16-012575	01SEP2016	YA	HR



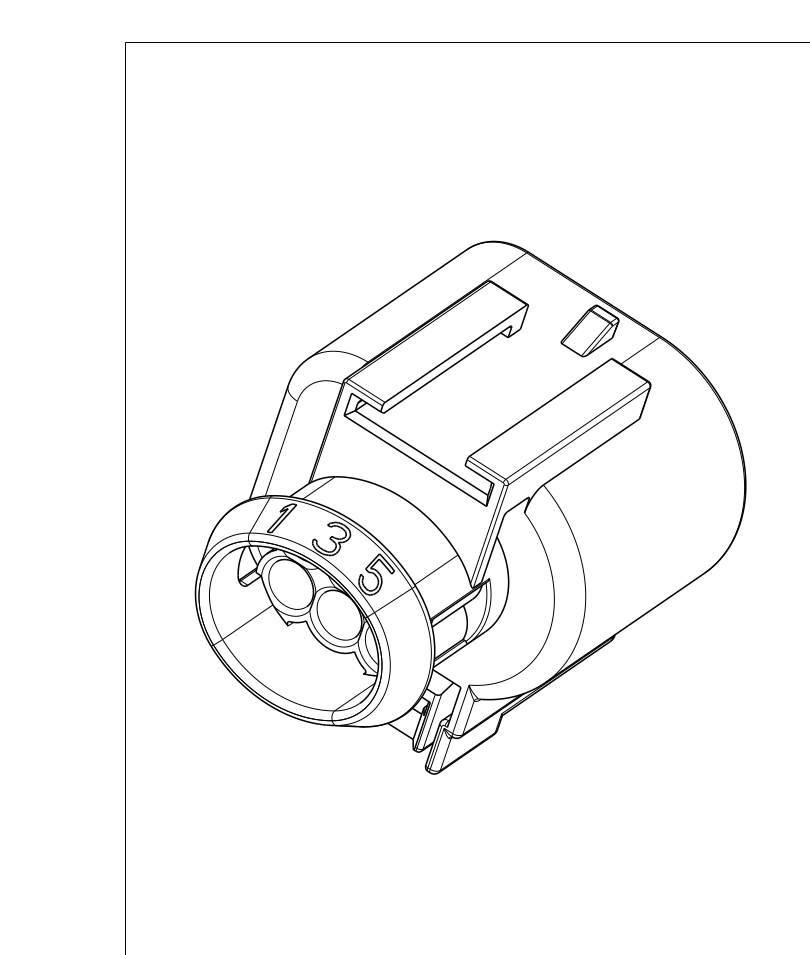
VERS.	REV.	TE-NO	REV	MATERIAL	COLOR	DESCRIPTION	WEIGHT (g)	TYP
H	0-2309220-9	A	MWG	RED	EPA...	RADIAL SEAL...	0.7	3
H	0-2309220-8	A	MWG	RED	EPA...	RADIAL SEAL...	0.7	2
H	5-2309220-8	A	MWG	RED	EPA...	RADIAL SEAL...	0.7	3
H	2-2309220-8	A	MWG	RED	EPA...	RADIAL SEAL...	0.7	2
G	2-2309220-7	A	MWG	RED	EPA...	RADIAL SEAL...	0.7	2
F	2-2309220-6	A	MWG	RED	EPA...	RADIAL SEAL...	0.7	3
E	2-2309220-5	A	MWG	RED	EPA...	RADIAL SEAL...	0.7	2
D	2-2309220-4	A	MWG	RED	EPA...	RADIAL SEAL...	0.7	3
C	2-2309220-3	A	MWG	RED	EPA...	RADIAL SEAL...	0.7	2
B	2-2309220-2	A	MWG	RED	EPA...	RADIAL SEAL...	0.7	3
A	2-2309220-1	A	MWG	RED	EPA...	RADIAL SEAL...	0.5	2



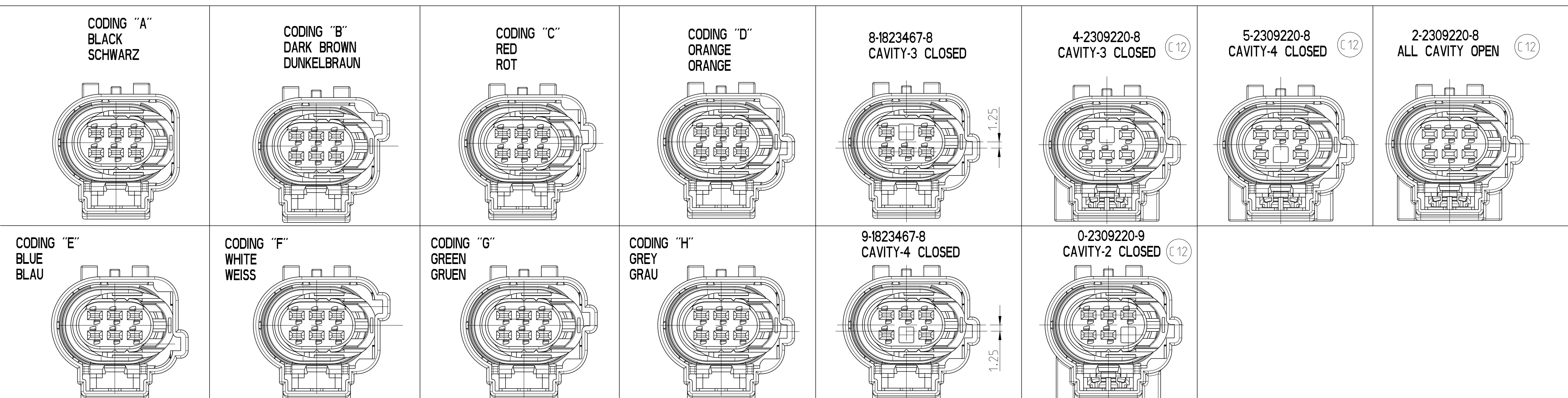
VERS.	REV.	TE-NO	REV	MATERIAL	COLOR	DESCRIPTION	WEIGHT (g)	TYP
H	3-1823467-8	C	MWG	RED	EPA...	RADIAL SEAL...	0.5	2
G	3-1823467-7	C	MWG	RED	EPA...	RADIAL SEAL...	0.5	2
F	3-1823467-6	C	MWG	RED	EPA...	RADIAL SEAL...	0.5	2
E	3-1823467-5	C	MWG	RED	EPA...	RADIAL SEAL...	0.5	2
D	3-1823467-4	C	MWG	RED	EPA...	RADIAL SEAL...	0.5	2
C	3-1823467-3	C	MWG	RED	EPA...	RADIAL SEAL...	0.5	2
B	3-1823467-2	C	MWG	RED	EPA...	RADIAL SEAL...	0.5	2
A	3-1823467-1	C	MWG	RED	EPA...	RADIAL SEAL...	0.5	2



VERS.	REV.	TE-NO	REV	MATERIAL	COLOR	DESCRIPTION	WEIGHT (g)	TYP
H	6-1823467-8	C	MWG	RED	EPA...	RADIAL SEAL...	0.5	2
H	2-1823467-8	C	MWG	RED	EPA...	RADIAL SEAL...	0.5	2
H	1-1823467-8	C	MWG	RED	EPA...	RADIAL SEAL...	0.5	2
G	1-1823467-7	C	MWG	RED	EPA...	RADIAL SEAL...	0.5	2
F	1-1823467-6	C	MWG	RED	EPA...	RADIAL SEAL...	0.5	2
E	1-1823467-5	C	MWG	RED	EPA...	RADIAL SEAL...	0.5	2
D	1-1823467-4	C	MWG	RED	EPA...	RADIAL SEAL...	0.5	2
C	1-1823467-3	C	MWG	RED	EPA...	RADIAL SEAL...	0.5	2
B	1-1823467-2	C	MWG	RED	EPA...	RADIAL SEAL...	0.5	2
A	1-1823467-1	C	MWG	RED	EPA...	RADIAL SEAL...	0.5	2



VERS.	REV.	TE-NO	REV	MATERIAL	COLOR	DESCRIPTION	WEIGHT (g)	TYP
H	8-1823467-8	A	MWG	RED	EPA...	RADIAL SEAL...	0.9	2
H	9-1823467-8	A	MWG	RED	EPA...	RADIAL SEAL...	0.9	2
H	1823467-8	C	MWG	RED	EPA...	RADIAL SEAL...	0.8	2
G	1823467-7	C	MWG	RED	EPA...	RADIAL SEAL...	0.8	2
F	1823467-6	C	MWG	RED	EPA...	RADIAL SEAL...	0.8	2
E	1823467-5	C	MWG	RED	EPA...	RADIAL SEAL...	0.8	2
D	1823467-4	C	MWG	RED	EPA...	RADIAL SEAL...	0.8	2
C	1823467-3	C	MWG	RED	EPA...	RADIAL SEAL...	0.8	2
B	1823467-2	C	MWG	RED	EPA...	RADIAL SEAL...	0.8	2
A	1823467-1	C	MWG	RED	EPA...	RADIAL SEAL...	0.8	2



- NOTES
 Bemerkungen
- DELIVERY CONDITION, RETAINER IN PER-LOCK POSITION
 Anlieferungszustand, Kontaktsicherung in Vorraststellung
 - TERMINALS, SEE TE DRAWING 121436
 Kontakte, siehe TE Zeichnung 121436
 - INTERFACE ACC. TO TE SPECIFICATION NO. 114-18375-1
 Schnittstelle nach TE Spezifikation Nr. 114-18375-1
 - BULK PACKAGED
 Schüttgut verpackt

THIS DRAWING IS A CONTROLLED DOCUMENT. DAY: Ashour 18MAY2009
 CH: J. Ripper 19MAY2009

STE TE Connectivity

6POS. AMP MCP1.5K, REC. HOUSING
 6POLIG. AMP MCP1.5K, BÜCHSENGEHÄUSE
 ASSY

00779 1823467

CUSTOMER DRAWING SCALE: 2:1 SHEET 1 OF 1