

specifications

The rack mount fiber tray and fiber adapter patch panels shall house, organize, manage and protect fiber optic cable, splices, and connectors. Available in both flat and angled versions, patch panels shall accommodate all Panduit pre-terminated MTP* cassettes, fiber adapter panels (FAP), fiber mount panels (FMP), associated trunk cables, connectors, patch cords, and shall include integral cable management. Fiber trays shall be constructed of steel material. Steel cover shall be removable for cabling and connector access during installation. Enclosure shall have multiple knockouts for a variety of trunk cable entry points.



technical information

| | |
|---------------------|---|
| Dimensions: | CFAPPBL1: 19.00"W x 1.72"H x 0.44"D (482.60mm x 43.7mm x 11.2mm) |
| | CFAPPBL1A: 19.00"W x 1.72"H x 4.16"D (482.60mm x 43.7mm x 105.5mm) |
| | CFAPPBL2: 19.00"W x 3.47"H x 0.44"D (482.60mm x 88.1mm x 11.2mm) |
| | CFAPPBL2A: 19.00"W x 3.47"H x 4.16"D (482.60mm x 88.1mm x 105.6mm) |
| | FMT1: 19.00"W x 1.72"H x 11.16"D (482.60mm x 43.7mm x 283.4mm) |
| | FMT1A: 19.00"W x 1.72"H x 11.16"D (482.60mm x 43.7mm x 283.4mm) |
| | FMT2: 19.00"W x 3.47"H x 11.16"D (482.60mm x 88.1mm x 283.4mm) |
| | FMT2A: 19.00"W x 3.47"H x 11.16"D (482.60mm x 88.1mm x 283.4mm) |
| Mounting: | Integral mounting flange for installation in 19" wide EIA-310 racks |
| Accessories: | Mounting hardware and accessory kit with labels included |

key features and benefits

| | |
|--|---|
| Works with all Panduit® Opticom® Fiber Optic Cassettes and Fiber Adapter Panels | Provides versatility and flexibility with a fully modular solution for a variety of pre-terminated installations, FAP and field termination, and splicing installations. Works with all Panduit LC, SC, ST, MT-RJ and MTP* fiber adapter panels and cassettes |
| Provides higher patch field density in fewer rack units saving valuable space | Modular design mounts up to four Opticom® Cassettes or FAP's per RU and up to three Opticom® Cassettes per RU for the angled fiber optic trays |
| Angled design | Angled design allows cable to flow to each side of the rack: patch cords can be routed directly into vertical cable managers |
| Fiber optic splice module | Can fusion splice up to 96 fibers per RU in a single enclosure with one-to-one splice-to-patching ratio |
| Side and rear cable entry | Provides installer with several options to route cable within the tray |
| Patch panel mounting | Hardware provided to allow patch panel to be pre-assembled before mounting to rack |

applications

Opticom® Rack Mount Fiber Trays and Fiber Adapter Patch Panels provide a flexible and modular system for managing fiber termination, connections, and patching for all applications and offer the industry's highest patch field density and fiber counts for all fiber termination methods. Angled fiber optic patch

panels facilitate proper bend radius of each patch cord as it is routed directly into a vertical cable manager, eliminating the need for horizontal cable managers. The high capacity, high-density solution maximizes rack space utilization and reduces floor space requirements for lower overall system costs.

Opticom® Rack Mount Fiber Adapter Patch Panels

| | |
|---|-----------|
| 1 RU for 4 FAP's or cassettes: | CFAPPBL1 |
| 1 RU for 4 FAP's or cassettes, angled: | CFAPPBL1A |
| 2 RU for 8 FAP's or cassettes: | CFAPPBL2 |
| 2 RU for 8 FAP's or cassettes, angled: | CFAPPBL2A |

Opticom® Rack Mount Fiber Trays

| | |
|--------------------------------|-------|
| For use with CFAPPBL1: | FMT1 |
| For use with CFAPPBL1A: | FMT1A |
| For use with CFAPPBL2: | FMT2 |
| For use with CFAPPBL2A: | FMT2A |

Opticom® Fiber Adapter Panels

| | |
|------------------------------|---------------|
| 12 duplex LC, 10Gig™: | FAP12WAQDLCZ |
| 6 duplex LC, 10Gig™: | FAP6WAQDLCZ |
| 12 duplex LC: | FAP12WEIDL |
| 6 duplex LC: | FAP6WEIDL |
| 6 duplex SC, 10Gig™: | FAP6WAQDSCZ |
| 3 duplex SC, 10Gig™: | FAP3WAQDSCZ |
| 6 duplex SC: | FAP6WEIDSC |
| 3 duplex SC: | FAP3WEIDSC |
| 6 simplex ST: | FAP6WST |
| 6 MTP*: | FAPH6W12BLMTP |

OptiCore® Patch Cords

| | |
|-------------------------------|--------------|
| 12 fiber MTP* to MTP*: | F^12D5-5M**Y |
| Duplex LC to LC: | F^E10-10M**Y |
| Duplex SC to SC: | F^D3-3M**Y |
| Duplex SC to LC: | F^D3-10M**Y |

Splice Modules

| | |
|------------------------------------|-------|
| Splice module (fusion): | FOSMF |
| Splice module (mechanical): | FOSMM |

Tools and Accessories

| | |
|---------------------------------|-------|
| Patch cord removal tool: | PCRT1 |
|---------------------------------|-------|

^Substitute for fiber types:
 X = (OM3/OM4 – 10Gig™ 50/125µm)
 5 = (OM2 – 62.5/125µm)
 6 = (OM1 – 62.5/125µm)
 9 = (OS1 – 9/125µm)

*MTP is a registered trademark of US Conec Ltd.
 **Substitute for length in meters: 1, 2, 3, 5 and 10 are standard lengths.

Contact Panduit Customer Service for other available lengths.

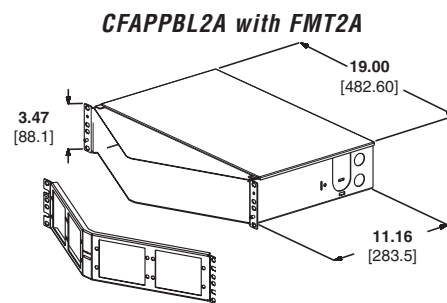
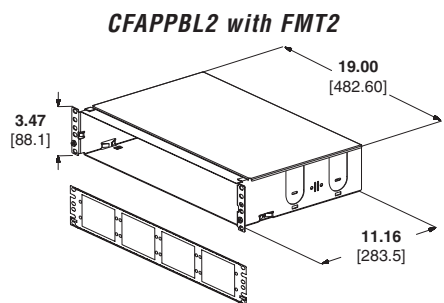
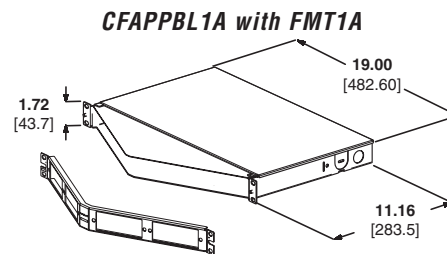
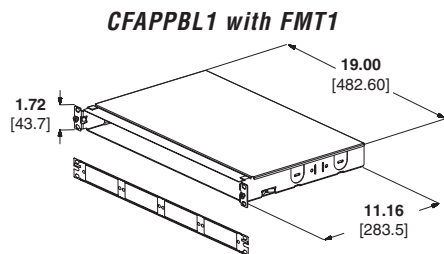
Opticom® Fiber Optic Patch Panels and Trays

Fiber Capacities

| Fiber Adapter Panel Type | Enclosure and Fiber count | | | |
|--------------------------|------------------------------|-------------------------------|------------------------------|-------------------------------|
| | FMT1 (holds up to 4 FAPs) | FMT1A (holds up to 4 FAPs) | FMT2 (holds up to 8 FAPs) | FMT2A (holds up to 8 FAPs) |
| 12 duplex LC adapters | 96 | 96 | 192 | 192 |
| 8 duplex LC adapters | 64 | 64 | 128 | 128 |
| 6 duplex LC adapters | 48 | 48 | 96 | 96 |
| 6 duplex SC adapters | 48 | 48 | 96 | 96 |
| 4 duplex SC adapters | 32 | 32 | 64 | 64 |
| 3 duplex SC adapters | 24 | 24 | 48 | 48 |
| 6 simplex ST adapters | 24 | 24 | 48 | 48 |

| QuickNet® Cassette Type | Enclosure and Fiber count | | | |
|---------------------------------|-----------------------------------|------------------------------------|-----------------------------------|------------------------------------|
| | FMT1 (holds up to 4 cassettes) | FMT1A (holds up to 3 cassettes) | FMT2 (holds up to 8 cassettes) | FMT2A (holds up to 6 cassettes) |
| 12 duplex LC adapters to 2 MTP* | 96 | 72 | 192 | 144 |
| 6 duplex LC adapters to 1 MTP* | 48 | 36 | 96 | 72 |
| 6 duplex SC adapters to 1 MTP* | 48 | 36 | 96 | 72 |
| 3 duplex SC adapters to 1 MTP* | 24 | 18 | 48 | 36 |
| 6 simplex ST adapters to 1 MTP* | 24 | 18 | 48 | 36 |

OptiCom® Fiber Optic Patch Panels and Trays



Dimensions are in inches. [Dimensions in brackets are metric].

WORLDWIDE SUBSIDIARIES AND SALES OFFICES

PANDUIT CANADA
Markham, Ontario
cs-cdn@panduit.com
Phone: 800.777.3300

PANDUIT EUROPE LTD.
London, UK
cs-emea@panduit.com
Phone: 44.20.8601.7200

PANDUIT SINGAPORE PTE. LTD.
Republic of Singapore
cs-ap@panduit.com
Phone: 65.6305.7575

PANDUIT JAPAN
Tokyo, Japan
cs-japan@panduit.com
Phone: 81.3.6863.6000

PANDUIT LATIN AMERICA
Jalisco, Mexico
cs-la@panduit.com
Phone: 52.33.3777.6000

PANDUIT AUSTRALIA PTY. LTD.
Victoria, Australia
cs-aus@panduit.com
Phone: 61.3.9794.9020

For a copy of Panduit product warranties, log on to www.panduit.com/warranty

For more information

Visit us at www.panduit.com

Contact Customer Service by email: cs@panduit.com
or by phone: 800-777-3300 and reference FBSP39

PANDUIT®

©2009 Panduit Corp.
ALL RIGHTS RESERVED.

WW-FBSP39

9/2009