

VSC7110

6.5 Gbps Quad Signal Conditioner

VSC7110 is a high-performance, quad-channel asynchronous buffer that simplifies high-speed signal path designs (up to 6.5 Gbps) by providing Microsemi’s industry-proven signal equalization at both the inputs and the outputs. The device optimizes energy efficiency with innovative Green modes that lower power consumption at lower data rates. Additional power savings can be achieved by deactivating unused channels and configuring optimal output level settings for an application.

The VSC7110 device offers programmable, static, and adaptive equalization settings to provide a comprehensive solution for countering signal degradation over a wide variety of cabling and interconnect transmission paths in server, video, and storage applications.

VSC7110 is fully compatible with the latest server, video, interconnect, and storage protocol data rates including Ethernet, HDMI 2.0, 6G SDI, PCIe Gen 1/ 2, and SAS/SATA.

Loss of signal (LOS) detectors with programmable thresholds are included on every input port. Out-of-band (OOB) signal forwarding can be enabled on each output. The VSC7110 can be configured for pass-through 4-channel buffer, dual 2 × 2 matrix, dual 1:2 duocast, or dual 2:1 selector configurations.

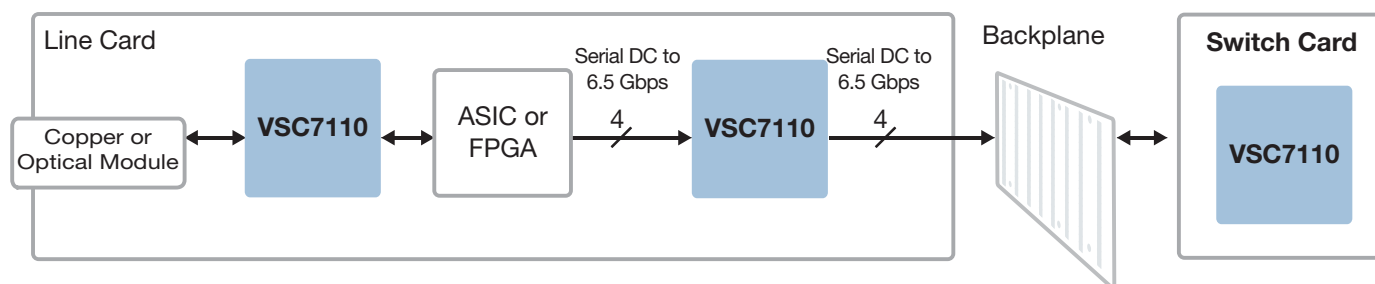
Highlights

- Up to 6.5 Gbps asynchronous operation
- Energy-efficient Green modes
- Adaptive equalization
- Programmable transmit output

Applications

- Blade servers
- Video switches
- Storage interconnect
- High-speed cable and backplane equalization

VSC7110 Line Card and Central Switch Card Applications



Microsemi makes no warranty, representation, or guarantee regarding the information contained herein or the suitability of its products and services for any particular purpose, nor does Microsemi assume any liability whatsoever arising out of the application or use of any product or circuit. The products sold hereunder and any other products sold by Microsemi have been subject to limited testing and should not be used in conjunction with mission-critical equipment or applications. Any performance specifications are believed to be reliable but are not verified, and Buyer must conduct and complete all performance and other testing of the products, alone and together with, or installed in, any end-products. Buyer shall not rely on any data and performance specifications or parameters provided by Microsemi. It is the Buyer's responsibility to independently determine suitability of any products and to test and verify the same. The information provided by Microsemi hereunder is provided "as is, where is" and with all faults, and the entire risk associated with such information is entirely with the Buyer. Microsemi does not grant, explicitly or implicitly, to any party any patent rights, licenses, or any other IP rights, whether with regard to such information itself or anything described by such information. Information provided in this document is proprietary to Microsemi, and Microsemi reserves the right to make any changes to the information in this document or to any products and services at any time without notice.

VSC7110

6.5 Gbps Quad Signal Conditioner

Flexible Architecture

- 0 Gbps to 6.5 Gbps asynchronous operation
- 4-channel buffer, dual 2 × 2 matrix, dual 1:2 duocast, or dual 2:1 selector configurations

Best-in-Class EQ

- Input EQ of 22 dB at 6.5 Gbps
- 6 dB transmit pre-emphasis with 15 output levels (maximum 1600 mV differential peak-to-peak)
- Input sensitivity 100 mV differential peak-to-peak

Protocols

- Gigabit Ethernet, XAUI, and RXAUI Ethernet formats
- HDMI 2.0 and 6G SDI data rate support
- PCIe Gen 1/2 receive detection and state machine
- SAS/SATA-compatible loss of signal (LOS) detection and out-of-band (OOB) forwarding

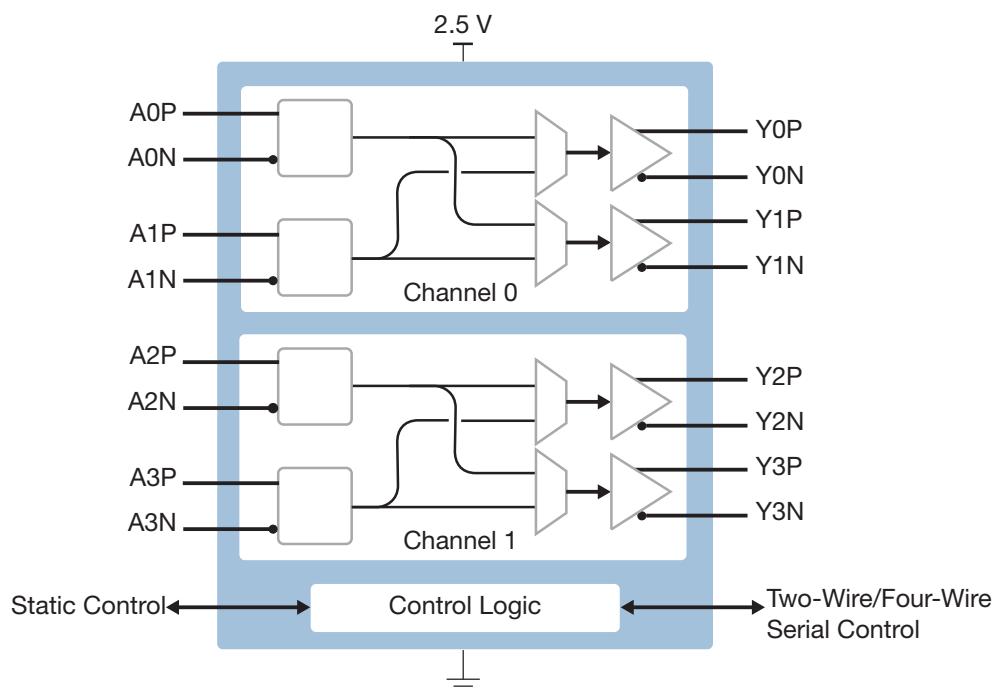
Key Specifications

- 2.5 V power supply
- 118 mW typical power consumption per channel in Green mode
- 32-pin, 5 mm × 5 mm QFN package
- Extended temperature range of -40 °C ambient to 110 °C junction

Related Products

Visit www.microsemi.com for information about these related products:

- Crosspoint Switches
- Ethernet Switches
- 1G and 10G PHYs



Microsemi

Microsemi Corporate Headquarters
 One Enterprise, Aliso Viejo, CA 92656 USA
 Within the USA: +1 (800) 713-4113
 Outside the USA: +1 (949) 380-6100
 Sales: +1 (949) 380-6136
 Fax: +1 (949) 215-4996
 email: sales.support@microsemi.com
www.microsemi.com

Microsemi Corporation (Nasdaq: MSCC) offers a comprehensive portfolio of semiconductor and system solutions for communications, defense and security, aerospace, and industrial markets. Products include high-performance and radiation-hardened analog mixed-signal integrated circuits, FPGAs, SoCs, and ASICs; power management products; timing and synchronization devices and precise time solutions; voice processing devices; RF solutions; discrete components; enterprise storage and communications solutions, security technologies, and scalable anti-tamper products; Ethernet solutions; Power-over-Ethernet ICs and midspans; custom design capabilities and services. Microsemi is headquartered in Aliso Viejo, California, and has approximately 4,800 employees worldwide. Learn more at www.microsemi.com.