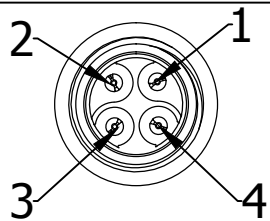


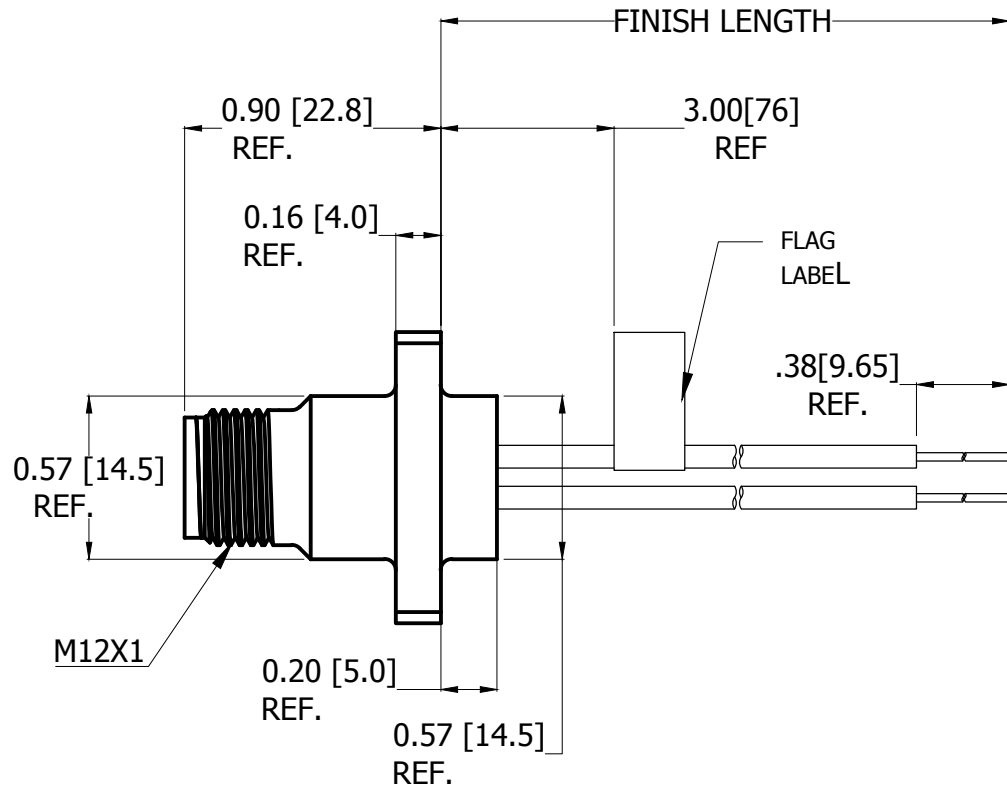
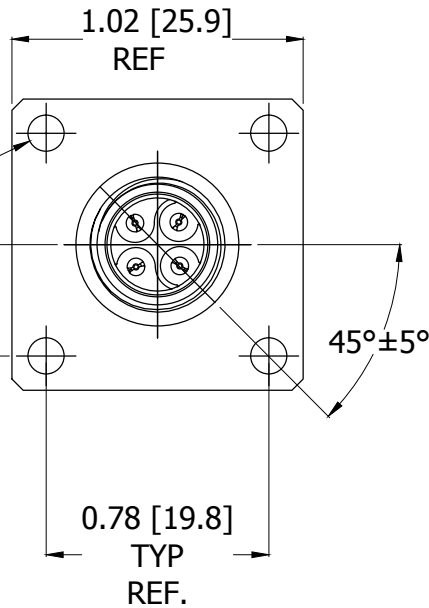
MALE FACE VIEW



- 1 GRAY
- 2 BROWN
- 3 BLUE
- 4 BLACK

Ø0.13 [Ø3.2]
TYP 4PLCs
REF.

0.39 [9.9]
TYP 4PLCs
REF



④ FRP4G06F01M0103

Wire type
14/1C AWG PPE

wire length
M005 = 0.5 Meter
M010 = 1 Meter
M100 = 10 Meter

MECHANICAL
 CONTACT: GOLD/NICKEL OVER COPPER ALLOY
 INSERT: BLACK NYLON
 GASKET: BLACK EPDM
 RECEPTACLE SHELL: NICKEL PLATED BRASS
 WIRE: 14 AWG CONDUCTORS, PPE

WIRE MARKING: xxxxx ECDWIRE TM 14 AWG Exxxxxx
 RU AWM 11028 105C 600V VW-1 ---
 CRU AWM I A/B 105C 600V FT1 CE ROHS

ELECTRICAL
 VOLTAGE RATING: 300V AC/DC
 AMPERAGE: 16A

ENVIRONMENTAL
 PROTECTION: IP67

OPERATING TEMP: -20°C TO 105°C

UPDATE MATRIX NUMBER EC NO: IPG2017-0983 DRWN: MZIELINS 2017/03/20 CHKD: TWOLDEGE 2017/03/22 APPR: BWOODMAN2013/12/17	QUALITY SYMBOL	GENERAL TOLERANCES (UNLESS SPECIFIED)	DIMENSION STYLE INCH/MM	SCALE 4:1	DESIGN UNITS INCH	THIRD ANGLE PROJECTION
	▽=0	mm INCH	DRAWN BY DATE	TITLE		
	▽=0	4 PLACES ±--- ±---	TWOLDEGE 2013/06/18	M12-POWER ASSEMBLY		
		3 PLACES ±--- ±.005	CHECKED BY DATE	4-POLE MALE FLANGEMOUNT		
	2 PLACES ±.13 ±.010	BRUPERT	14/1C AWG PPE WIRE LEADS			
	1 PLACE ±.25 ±.020	APPROVED BY DATE	MOLEX INCORPORATED			
	ANGULAR ±.5°	BWOODMAN 2013/12/17	DOCUMENT NO. SD-120502-001			
	DRAFT WHERE APPLICABLE MUST REMAIN WITHIN DIMENSIONS	MATERIAL NO.	SHEET NO. 1 OF 1			
		SIZE C	THIS DRAWING CONTAINS INFORMATION THAT IS PROPRIETARY TO MOLEX INCORPORATED AND SHOULD NOT BE USED WITHOUT WRITTEN PERMISSION			