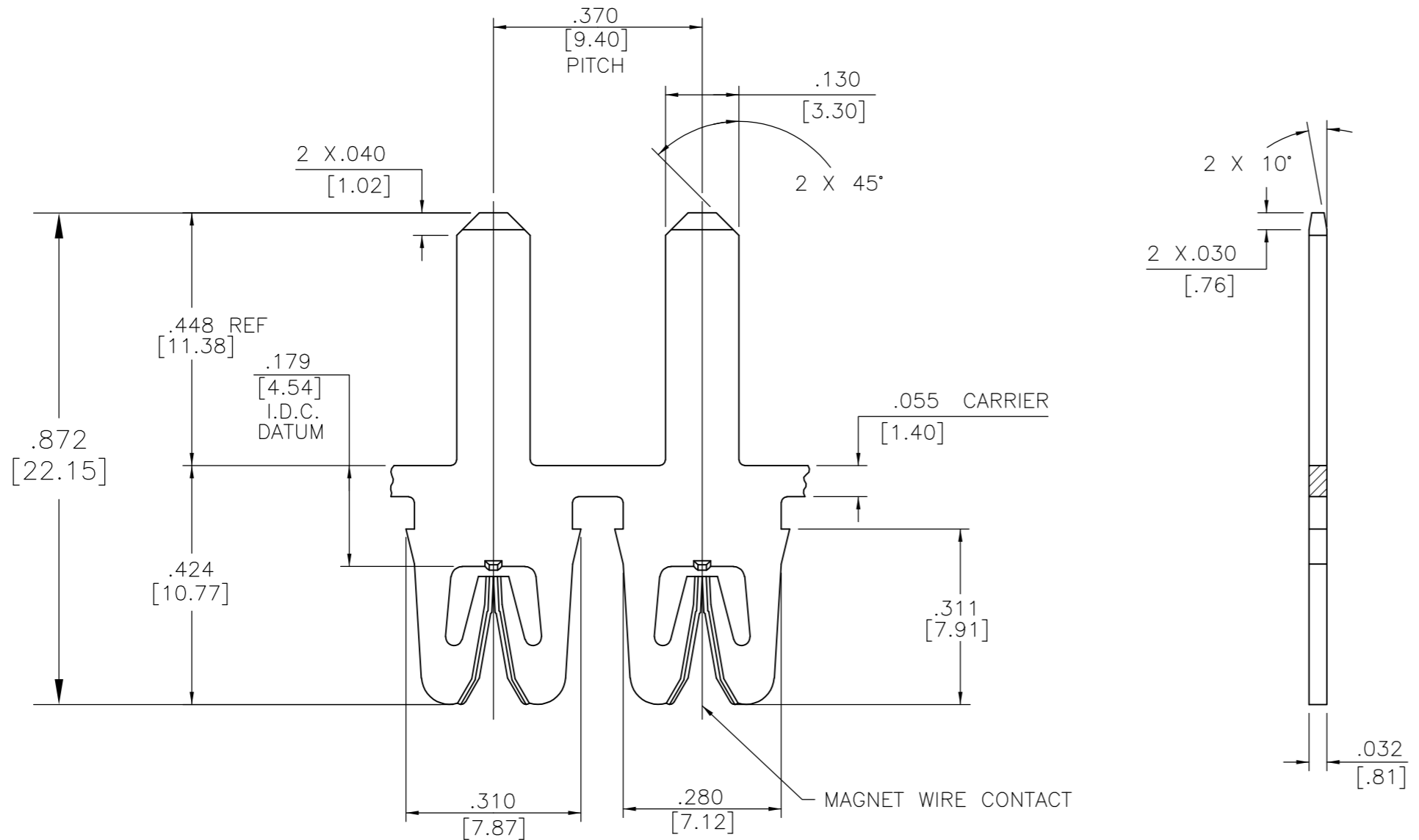
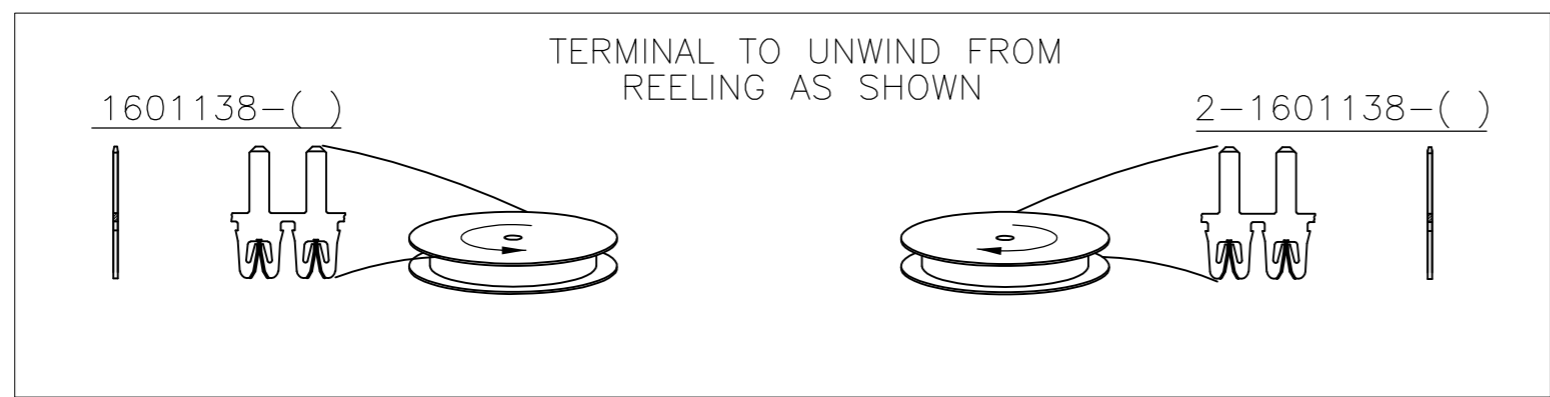
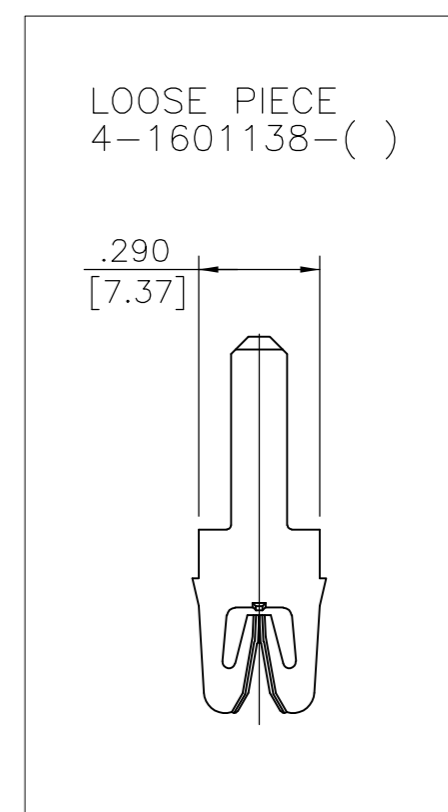


THIS DRAWING IS UNPUBLISHED. RELEASED FOR PUBLICATION
 © COPYRIGHT BY TYCO ELECTRONICS CORPORATION. ALL RIGHTS RESERVED.

LOC	DIST	REVISIONS			
P	LTR	DESCRIPTION	DATE	DWN	APVD
AF	50	D1	REVISED PER ECR-07-029275	10DEC07	HMR GJ



- 1 SPECIFICATIONS:
MAGNET WIRE #12 - #23 AWG,
.081"(2.06mm)-.022"(0.56mm) DIA COPPER.
OTHER SIZES MAY BE ACCOMMODATED,
CONSULT TYCO ELECTRONICS FOR APPROVAL.
- 2 POCKET RECOMMENDATION: #1601438
- 3 TERMINAL APPLICATION TO COMPLY WITH TYCO ELECTRONICS SPECIFICATION 114-13210 FIGURE 4.
- 4 TERMINALS SUPPLIED ON REELS, CAN BE SUPPLIED LOOSE PIECE.



-	-	-
-	-	-
-	-	-
-	-	-
UNPLATED	151-006-000	2-1601138-1
UNPLATED	151-005-000	1601138-1
FINISH	REFERENCE PART NUMBER	TE PART NUMBER
THIS DRAWING IS A CONTROLLED DOCUMENT.		
DIMENSIONS: INCHES TOLERANCES UNLESS OTHERWISE SPECIFIED: 0 PLC ± - 1 PLC ± - 2 PLC ± .01[0.25] 3 PLC ± .005[0.13] 4 PLC ± - ANGLES ± 2°		DWN J.WELLER 11JAN2002 CHK M.FEHER 11JAN2002 APVD K.RANDOLPH 11JAN2002 PRODUCT SPEC 108-2239 APPLICATION SPEC 3
MATERIAL: BRASS, SPRING HARD		FINISH: SEE TABLE
WEIGHT: -		SCALE: 4:1
CUSTOMER DRAWING		SHEET 1 OF 1
Tyco Electronics Corporation Harrisburg, PA 17105-3608		RESTRICTED TO
MEDIUM RANGE WIRE TO .130 X .032 TAB SIAMEZE TERMINAL		REV D1