

Plastic Tuning Fork Crystals

Cardinal's CPF crystals offer real time frequency control in a sturdy thermoplastic encasement with a 2.5 mm height.

Series **CPFB**



Part Numbering Example: CPFB Z - A1 C5 - 32.768K D12.5

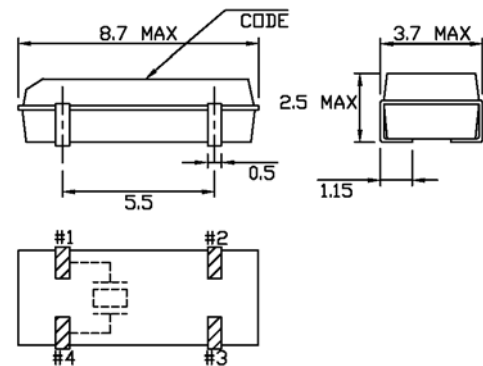
CPFB	Z	A2*	C5	32.768	D12.5
SERIES	ADDED FEATURES	OPERATING TEMP	TOLERANCE	FREQUENCY	LOAD CAP
CPFB	BLANK = BULK PACK Z = TAPE AND REEL	A2 = -40°C ~ +85°C	C5 = ± 20		D6 = 6.0 pF D12.5 = 12.5 pF

**NOTE: The above ABC combinations cover basic specification options. We tailor our crystal specifications to meet customer requirements. Please contact our sales department if you don't see exactly what you need.*

Specifications:

Frequency Range:	32.768 KHz
Operating Temperature:	-40°C ~ +85°C <i>Standard</i>
Temperature Coefficient:	-(0.035 ± 0.008) ppm/°C ² BT-CUT
Frequency Tolerance:	± 20 ppm (at 25°C)
Load Capacitance:	12.5 pF <i>Typical</i>
Shunt Capacitance:	1.35 pF <i>Typical</i>
Resistance:	50,000Ω Max
Drive Level:	1.0 μW Max
Aging:	± 3.0 ppm per year
Packaging:	Tape and Reel (3K per Reel)

CPFB



RECOMMENDED SOLDER PAD LAYOUT

