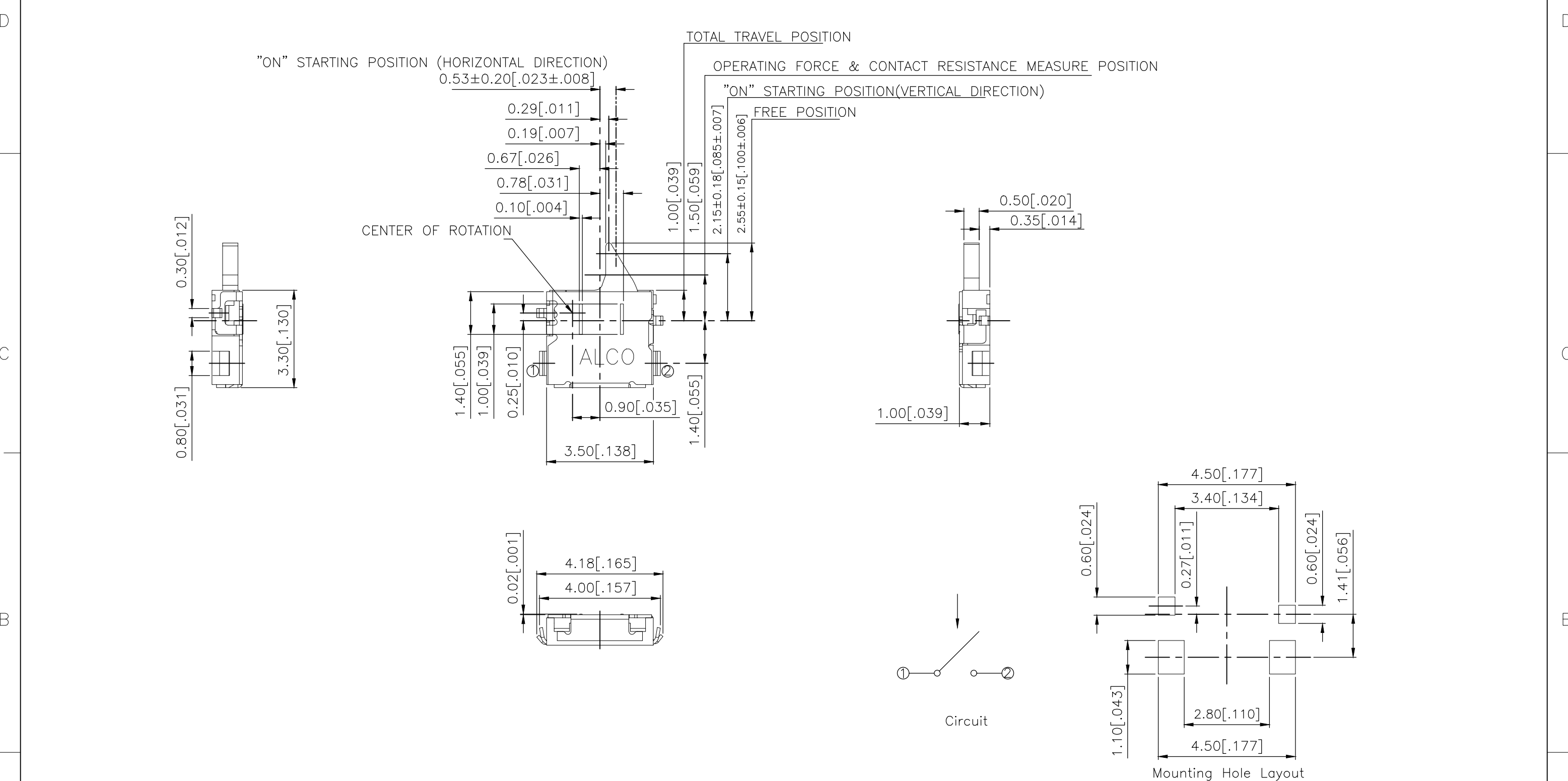


THIS DRAWING IS UNPUBLISHED. RELEASED FOR PUBLICATION
 © COPYRIGHT - TE Connectivity Ltd. ALL RIGHTS RESERVED.

REVISIONS				
P	LTR	DESCRIPTION	DATE	APVD
A	ECR-18-012767		14AUG2018	NG AS

2331388-1
AS SHOWN



THIS DRAWING IS A CONTROLLED DOCUMENT.		DWN	GANESH C M 07MAR2018		 TE Connectivity Ltd.
DIMENSIONS: mm [INCHES]		CHK	ALEXANDER SHARPE 07MAR2018		
TOLERANCES UNLESS OTHERWISE SPECIFIED:		APVD	ALEXANDER SHARPE 07MAR2018		
0 PLC ± - 1 PLC ± - 2 PLC ± 0.20 [0.008] 3 PLC ± - 4 PLC ± - ANGLES ± -		PRODUCT SPEC	-		
MATERIAL		FINISH	-		NAME
-		-	-		SWITCH, DETECTOR, JJC SERIES, 3.5X3.3mm, HORIZONTAL, SMT, OPEN
		WEIGHT	-		SIZE
			-		A3
			-		CAGE CODE
			-		00779
			-		DRAWING NO
			-		C-2331388
			-		RESTRICTED TO
			-		-
			-		SCALE
			-		NTS
			-		SHEET
			-		1 OF 3
			-		REV
			-		A

THIS DRAWING IS UNPUBLISHED.

RELEASED FOR PUBLICATION

© COPYRIGHT - TE Connectivity Ltd.

ALL RIGHTS RESERVED.

REVISIONS

P	LTR	DESCRIPTION	DATE	DWN	APVD
-	-	SEE SHEET 1	-	-	-

NOTES:

1. MATERIALS:

ACTUATOR: THERMOPLASTIC, UL 94V-0, BLACK
 BODY: THERMOPLASTIC, UL 94V-0, BLACK
 COVER: NICKEL SILVER
 TERMINAL: COPPER ALLOY, SILVER PLATE
 SPRING: STAINLESS STEEL

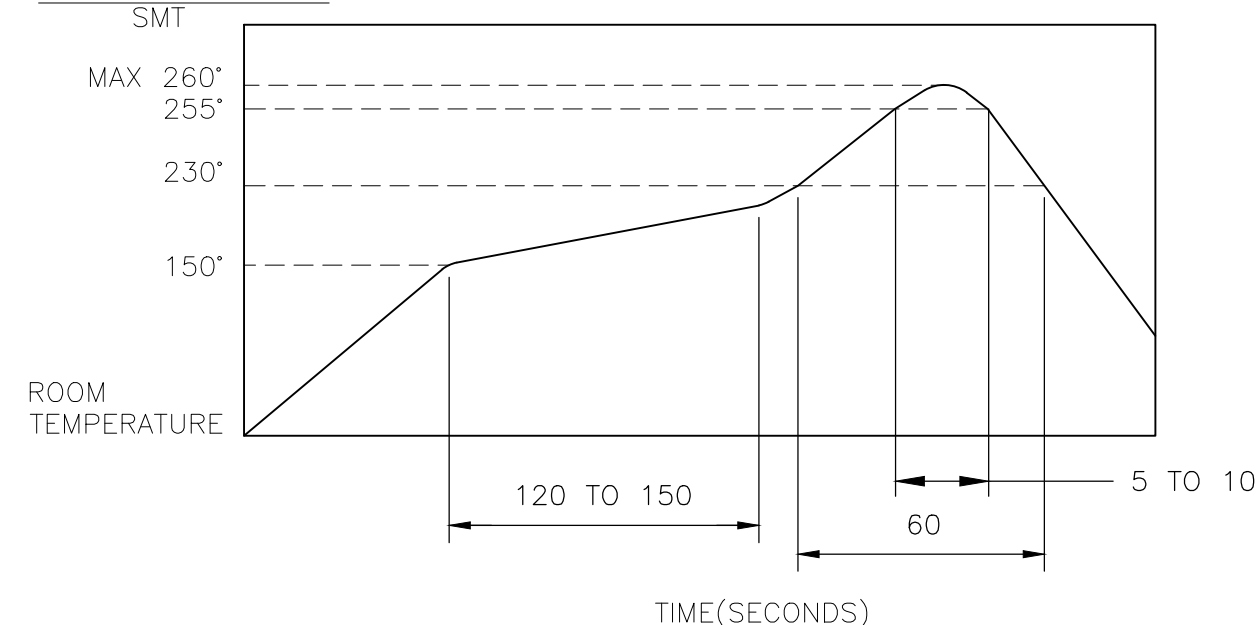
2. COMPLIANCE:

ALL MATERIALS AND FINISHES SHALL COMPLY WITH EU DIRECTIVE 2002/95/EC OF 27JAN2003(RoHS)

3. SPECIFICATIONS:

RATING: 1mA, 5V DC TO 50µA, 3V DC
 CONTACT RESISTANCE: 2Ω MAXIMUM(INITIAL)
 INSULATION RESISTANCE: 100MΩ MINIMUM AT 100 V DC
 DIELECTRIC STRENGTH: 100 V AC, 1 MINUTE
 OPERATING LIFE: 50,000 CYCLES WITH LOAD
 TOTAL TRAVEL: 1.55 [.061]
 ACTUATION FORCE: 35gf MAXIMUM
 OPERATING TEMPERATURE: -10°C TO 60° C
 STORAGE TEMPERATURE: -40°C TO 85° C

4. SOLDER CONDITIONS:



THE CONDITION MENTIONED ABOVE IS THE TEMPERATURE ON THE CU FOIL OF THE PCB SURFACE. THERE ARE CASES WHERE THE BOARD'S TEMPERATURE GREATLY DIFFERS FROM THE SWITCH'S SURFACE. DO NOT ALLOW SWITCH'S SURFACE TEMPERATURE TO EXCEED 260°C

MANUAL SOLDERING

SOLDERING TEMPERATURE	350°C±5°C.
CONTINUOUS SOLDERING TIME	5 SECONDS MAX.

PRECAUTIONS IN HANDLING

1. CARE SHOULD BE EXERCISED SO THAT FLUX FROM THE UPPER PART OF THE PRINTED CIRCUIT BOARD DOES NOT ADHERE TO THE SWITCH.

JJCHLUJ100NONMRTR	2331388-1
SMART PART NUMBER	PART NUMBER

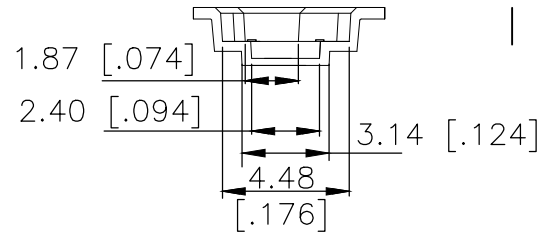
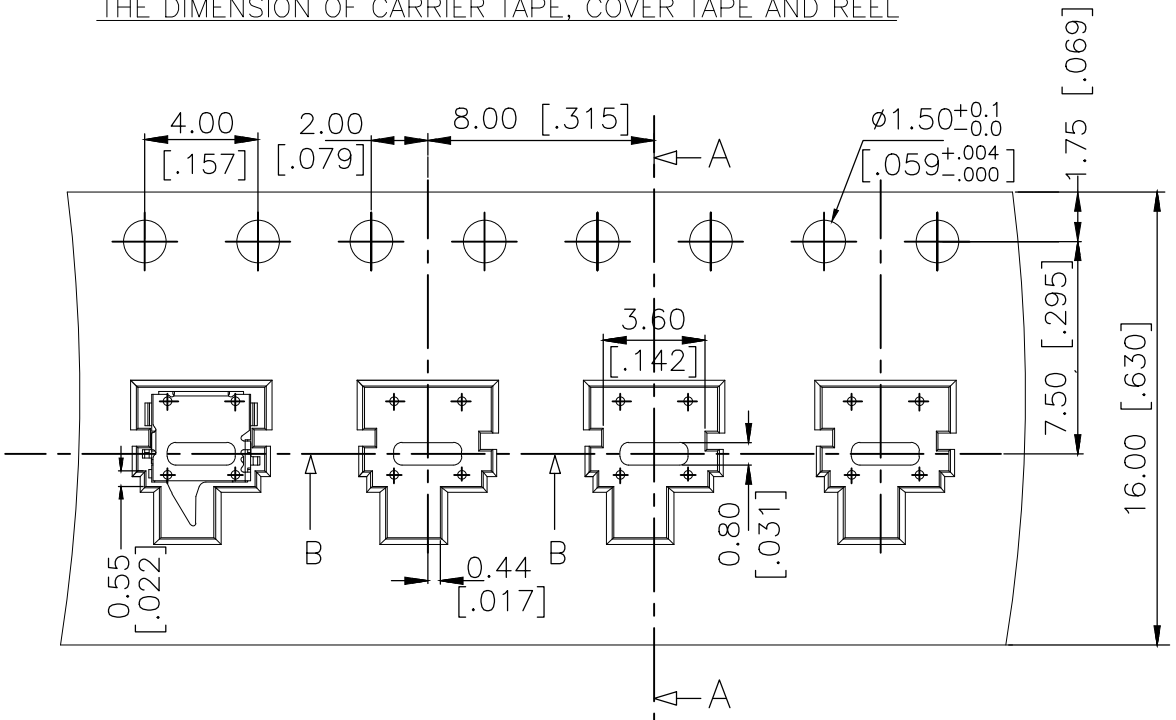
THIS DRAWING IS A CONTROLLED DOCUMENT.		DWN	07MAR2018	TE Connectivity Ltd.		
		CHK	07MAR2018			
DIMENSIONS: mm [INCHES]		TOLERANCES UNLESS OTHERWISE SPECIFIED:		NAME		
		0 PLC ± -		ALEXANDER SHARPE		
		1 PLC ± -		APVD 07MAR2018		
2 PLC ± 0.20 [.008]		3 PLC ± -		PRODUCT SPEC		
3 PLC ± -		4 PLC ± -		APPLICATION SPEC		
4 PLC ± -		ANGLES ± -		SIZE		
MATERIAL		FINISH		CAGE CODE		
-		-		DRAWING NO		
				RESTRICTED TO		
				A3 00779 C-2331388		
				CUSTOMER DRAWING		
				SCALE NTS		
				SHEET 2 OF 3		
				REV A		

THIS DRAWING IS UNPUBLISHED. RELEASED FOR PUBLICATION
 © COPYRIGHT - TE Connectivity Ltd. ALL RIGHTS RESERVED.

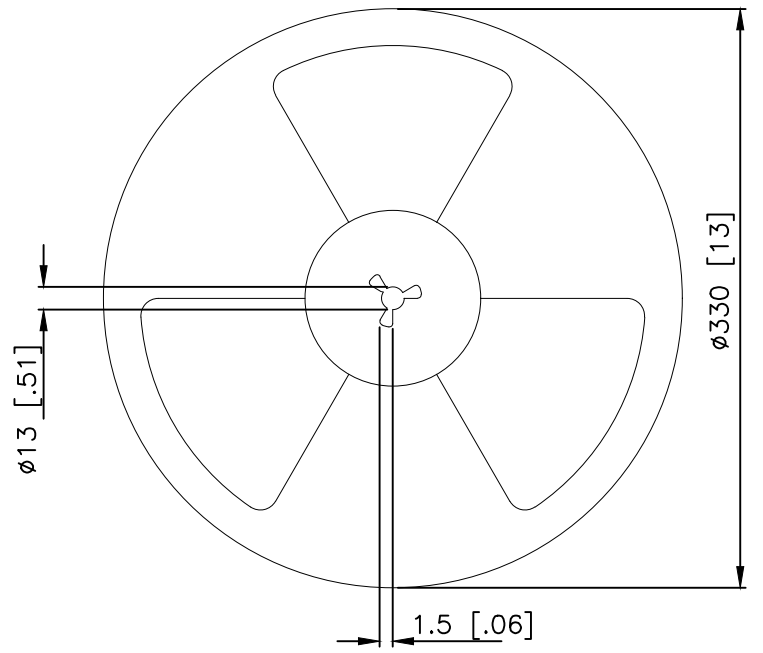
REVISIONS					
P	LTR	DESCRIPTION	DATE	DWN	APVD
-	-	SEE SHEET 1	-	-	-

PACKAGING:
 3500 SWITCHES PER REEL

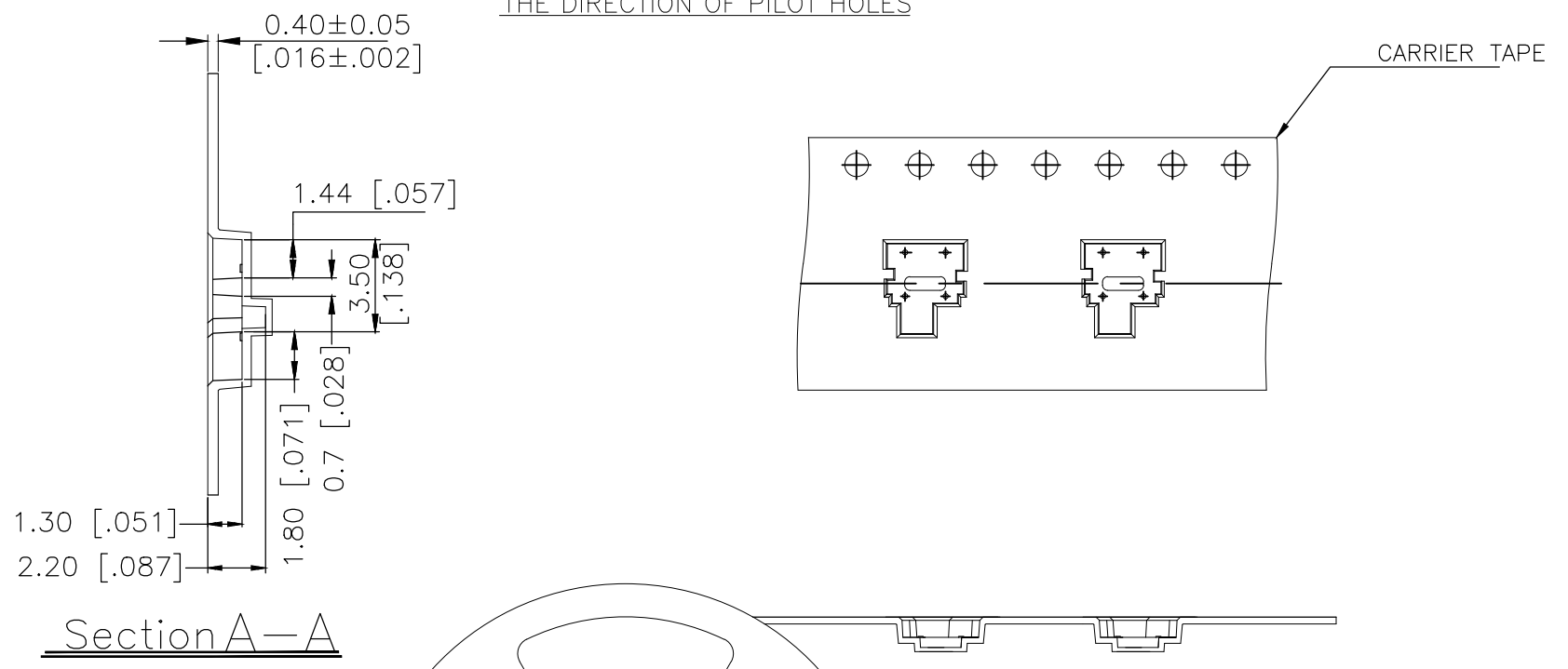
THE DIMENSION OF CARRIER TAPE, COVER TAPE AND REEL



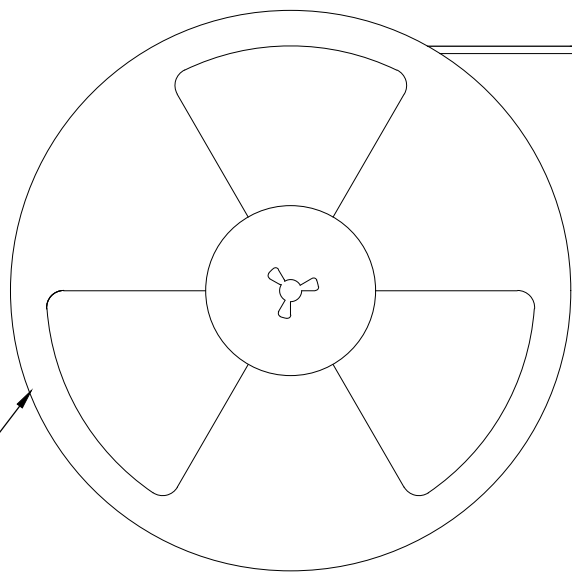
Section B-B



THE DIRECTION OF PILOT HOLES



Section A-A



DRAWING DIRECTION

THIS DRAWING IS A CONTROLLED DOCUMENT.		DWN GANESH C M 07MAR2018	TE Connectivity Ltd.			
DIMENSIONS: mm [INCHES]		CHK ALEXANDER SHARPE 07MAR2018				NAME SWITCH, DETECTOR, JJC SERIES, 3.5X3.3mm, HORIZONTAL, SMT, OPEN
TOLERANCES UNLESS OTHERWISE SPECIFIED:		APVD ALEXANDER SHARPE 07MAR2018	PRODUCT SPEC			
0 PLC ± - 1 PLC ± - 2 PLC ± 0.20 [.008] 3 PLC ± - 4 PLC ± - ANGLES ± -		APPLICATION SPEC	RESTRICTED TO			
MATERIAL		FINISH	WEIGHT	SIZE A3	CAGE CODE 00779	DRAWING NO C-2331388
CUSTOMER DRAWING			SCALE NTS	SHEET 3 OF 3	REV A	