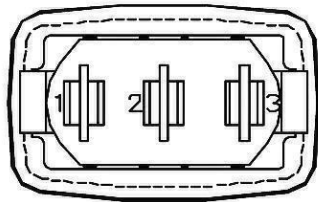
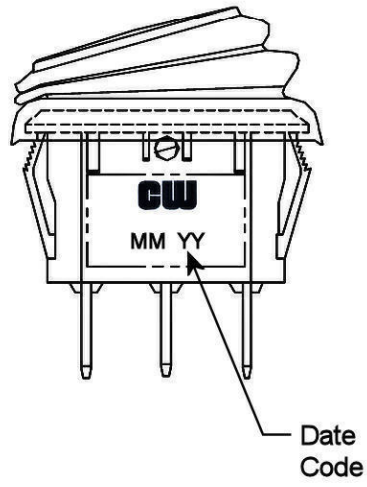
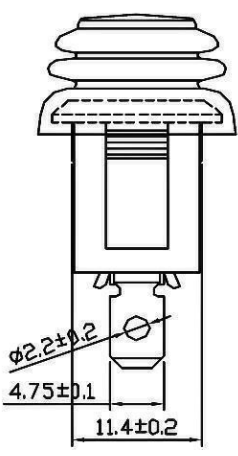
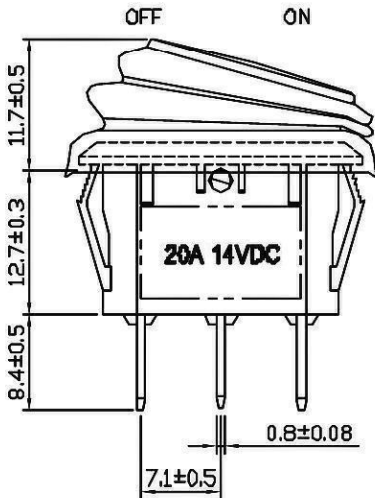
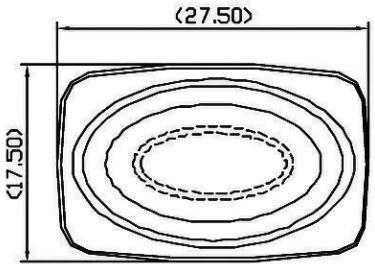


THIS INFORMATION IS CONFIDENTIAL AND PROPRIETARY TO CW INDUSTRIES INCORPORATED AND ITS AFFILIATES. IT MAY NOT BE DISCLOSED TO ANYONE, OTHER THAN CW INDUSTRIES PERSONNEL, WITHOUT WRITTEN AUTHORIZATION FROM CW INDUSTRIES INCORPORATED, SOUTHAMPTON, PENNSYLVANIA USA.

Rating	20A 14VDC	Mounting Hole 	Circuit Diagram 	
Contact Resistance	50m ohm Max.			
Insulation Resistance	DC 500V 100M ohm Min.			
Dielectric Strength	AC 1500V 1 minute			
Operation Temperature	25°C~85°C			
Switch Function	3P SPST ON - OFF Lamp Dependent	Thickness	X	Y
		0.75...1.5	23.3+0.1	11.6+0.1
		1.5...2.5	23.6+0.1	11.6+0.1
Lamp Type	LED 12VDC 14V w/resistor			

***MATERIAL:**
 Frame: Black, Nylon 66 (94-V2)
 Actuator: Red, PC clear (94-V2)
 Waterproof Rubber: Black, Silicone
 Printed: None
***Waterproof: IP65**



RoHS Compliant

1 | Added Dependent to function & Lamp Type. 3/22/12.

CW INDUSTRIES
 Southampton, Pa. 18966
 Tel 215.355.7080/www.cwind.com

Date Drawn: 2/06/09

Rev. 1

Unit: mm

Checked By: *G. Gold*

Title: **ROCKER SWITCH**

CW P/N: **GRB278B802BR1**