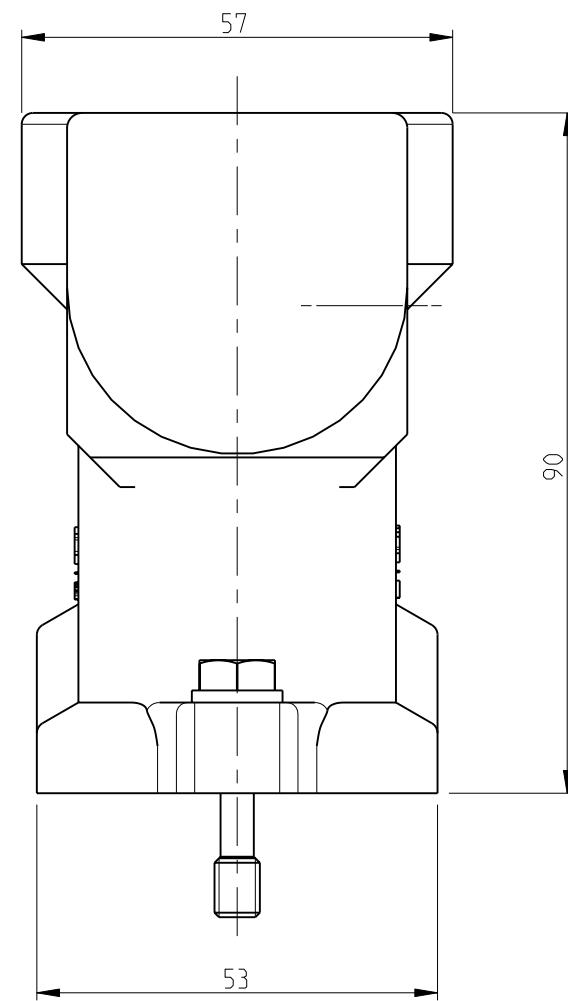
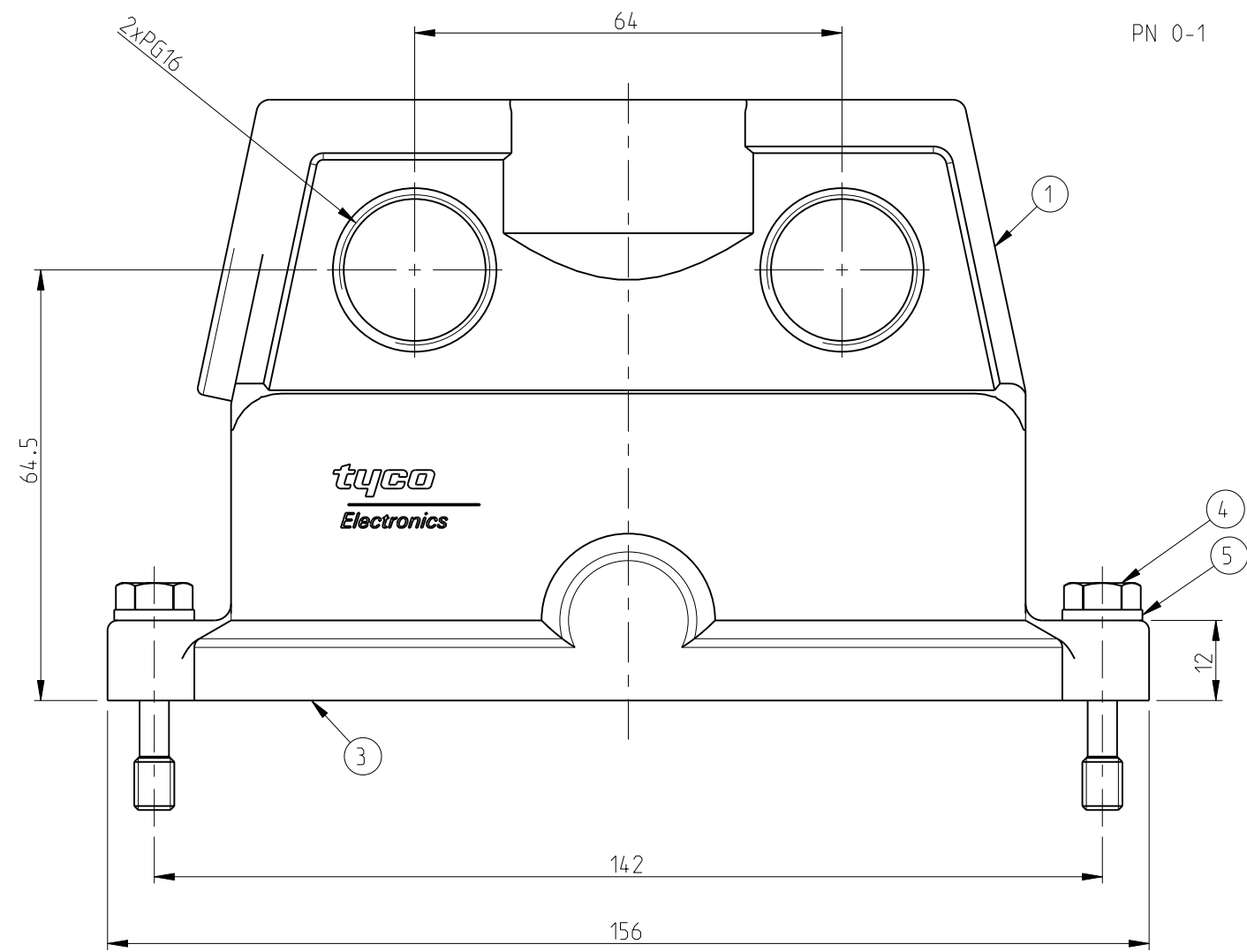
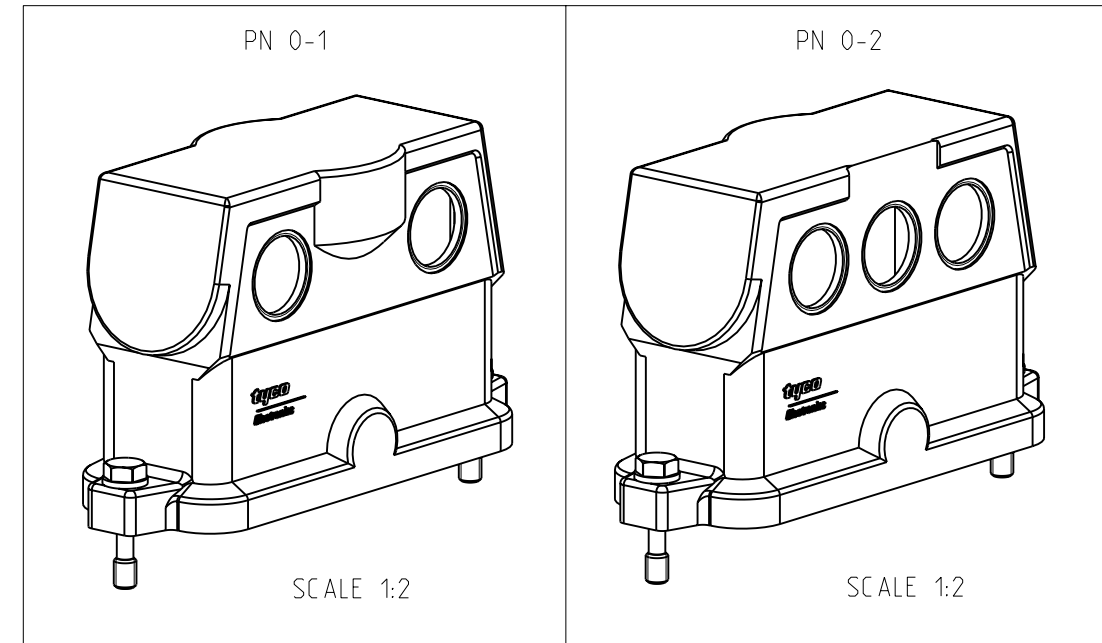
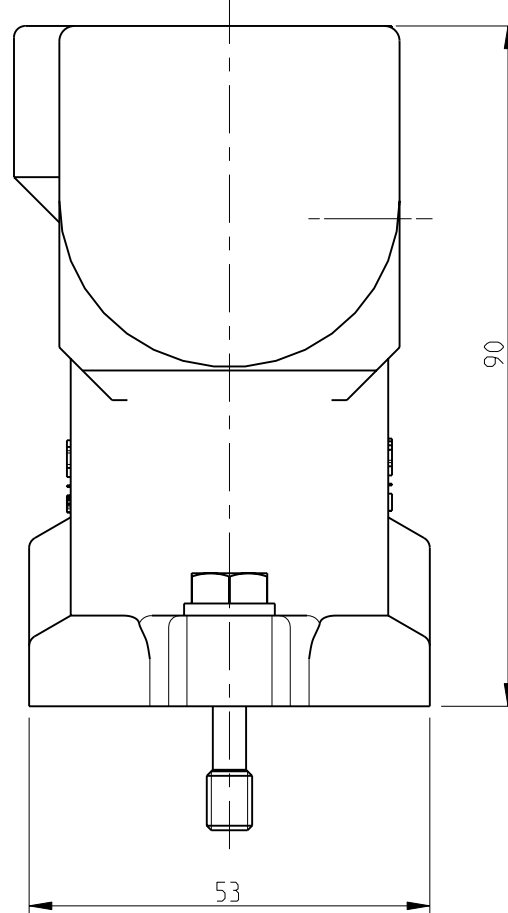
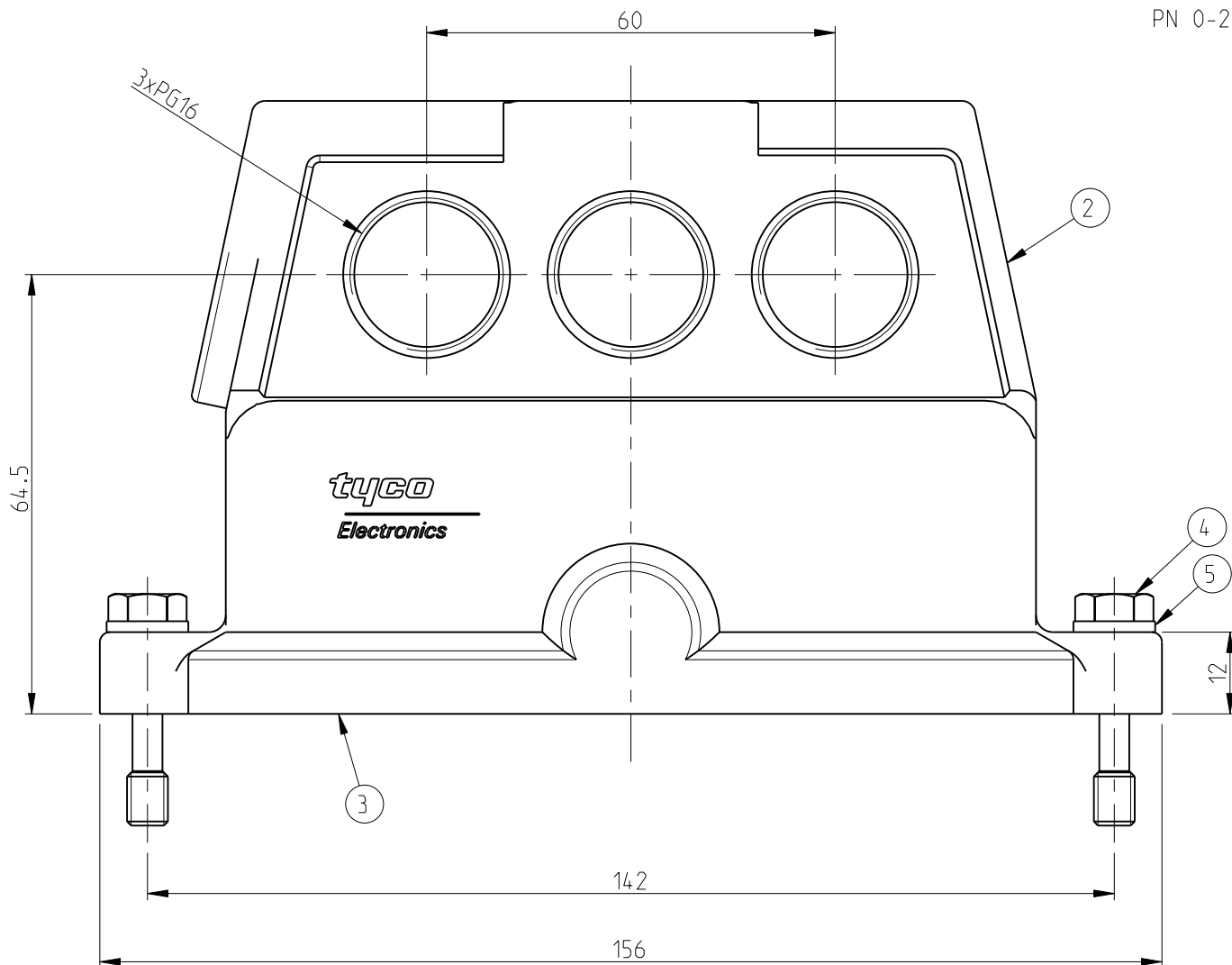


THIS DRAWING IS UNPUBLISHED. RELEASED FOR PUBLICATION .1997
 © COPYRIGHT 1997 BY TYCO ELECTRONICS CORPORATION. ALL RIGHTS RESERVED.

LOC		DIST		REVISIONS			
P	LTR	DESCRIPTION	DATE	DWN	APVD		
A	1	-					
	A3	Released as per ECR-07-030419	17.12.07	SP	TS		



- NOTES
- 1 Material: Housing: Aluminium Diecasting Alloy
Seals: Neoprene
 - 2 Surface:- varnish-grey
Aluminium oxide+
Varnish black
 - 3 Varnish on the inside not necessary
 - 4 Packaging quantity: 5 pieces in a box



QTY	DESCRIPTION	MATERIAL	SURFACE	COLOR	ITEM NO	REMARKS
2	Spring washer	Stainless steel	Blank		5	B6.4
2	Fixing screw	Stainless steel	Blank		4	M6x30
1	Seal Bg8	Neoprene	-	Black	3	
1	Hood HIP	Aluminium	-	Grey	2	
-	Hood HIP-K	Aluminium	Aluminium oxide	Black	1	

ORDERING TEXT
 HIP-K.24/64.STW.2.16.G
 HIP.24/64.STW.3.16.G

<small>THIS DRAWING IS A CONTROLLED DOCUMENT FOR TYCO ELECTRONICS CORPORATION IT IS SUBJECT TO CHANGE AND THE CONTROLLING ENGINEERING ORGANIZATION SHOULD BE CONTACTED FOR THE LATEST REVISION.</small>		DWN Schneider 28.06.2000 CHK Schweiger 28.06.2000 APVD - PRODUCT SPEC 108-74030 APPLICATION SPEC 114-74017 WEIGHT 540 g CUSTOMER DRAWING	Tyco Electronics, AMP, GmbH D-53819, Neunkirchen, Germany NAME Hood HIP.24/64.STW With PG-Thread SIZE A2 CAGE CODE 00779 DRAWING NO C=1102791 RESTRICTED TO - SCALE 1:1 SHEET 1 OF 1 REV A3
---	--	--	---