

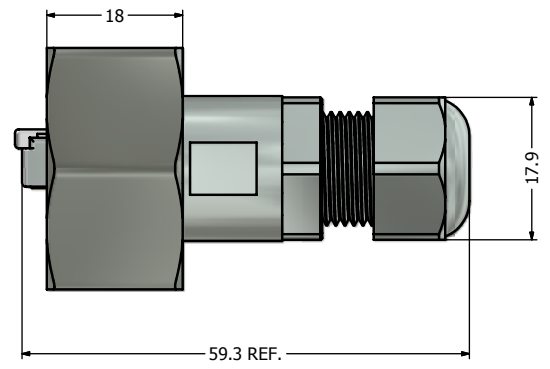
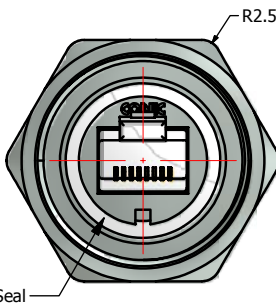
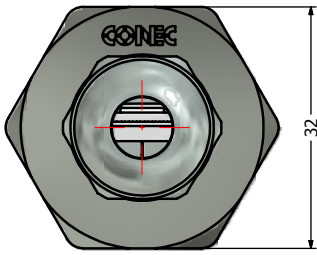
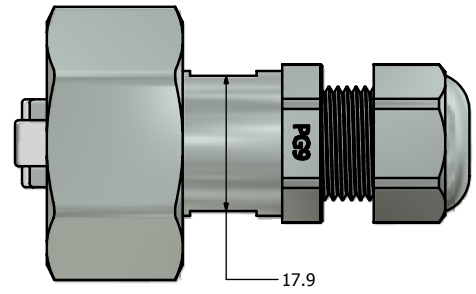
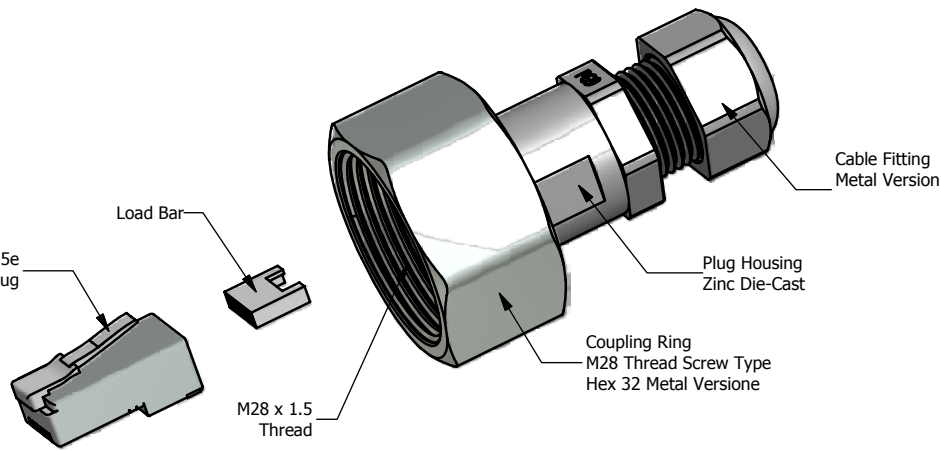
6 5 4 3 2 1

D

C

B

A



Notes:

- Electrical Specifications:
 - Meets EIA/TIA-568-B.2 Cat.5e Specification
 - Contact Resistance: 20mOhm max.
 - Insulation Resistance: 500MOhm min. @ 100 VDC
 - Current Rating: 1.2A max. at 25°C
 - Working Voltage: 100 VDC
 - DWV: 1000 VDC/60s Contact to Contact, 1500 VDC/60s Contact to Metal Shell
 - Operating Temperature: -40°C to +85°C
- Material and Finish:
 - Metal Hex Coupling Ring: Brass, Nickel Plated
 - Plug Housing: Zinc Die-Cast, Nickel Plated
 - Interfacial Seal: Silicon, Color: White
 - Cable Fitting: Brass, Nickel Plated
 - Cable Fitting Rubber Ring: NBR, Color: Black
 - RJ45 Plug Metal Shell: Copper Alloy, Nickel Plated
 - RJ45 Plug Plastic Housing: Clear Polycarbonate UL94 V-2
 - RJ45 Plug Contacts: Phosphor Bronze, Finish: 50u" Gold min. over Nickel
- RJ45 Plug accepts both Stranded and Solid Cables with Outer Diameter of 4.83mm to 6.73mm
- Cable Gland accepts Cable Outer Diameter Range of 4.5mm to 8mm
- IP67 rated when fully mated with appropriate mating connector
- RoHS compliant

Directive 2002/95/EC RoHS Compliant

THIS DRAWING MAY NOT BE COPIED, OR REPRODUCED IN ANY WAY AND MAY NOT BE PASSED ON TO A THIRD PARTY WITHOUT WRITTEN PERMISSION. OWNERSHIP AND COPYRIGHT OF CONEC CORPORATION. DO NOT ALTER CAD DRAWING BY HAND	Customer:			Tolerance Unless otherwise specified			Scale: 1.5:1	Dim. in mm
	Name	Title	Approval Date	0 PLC ±0.50	1 PLC ±0.38		Material: See Notes	
				2 PLC ±0.25	3 PLC ±0.10	Title: RJ45 Plug Kit (Full Metal Version)		
				ANGLES ±3		with HEX 32 M28 Coupling Ring		
				2010	Date	Name	and with shielded Cat. 5e RJ45 Plug	
				Draw.	Feb. 24	Vincent Ke	Drawing No.: 17K1A160	
				Appd.	Feb. 24	J. Chaudry	Part No.: 17-101864	
				Norm			DIN A3	
				D-old			Sheet 1/1	
		b	Jul/06/2011	Vincent ke				
	a	original						
	Rev.	Changes	Date	Name				

6 5 4 3 2 1

