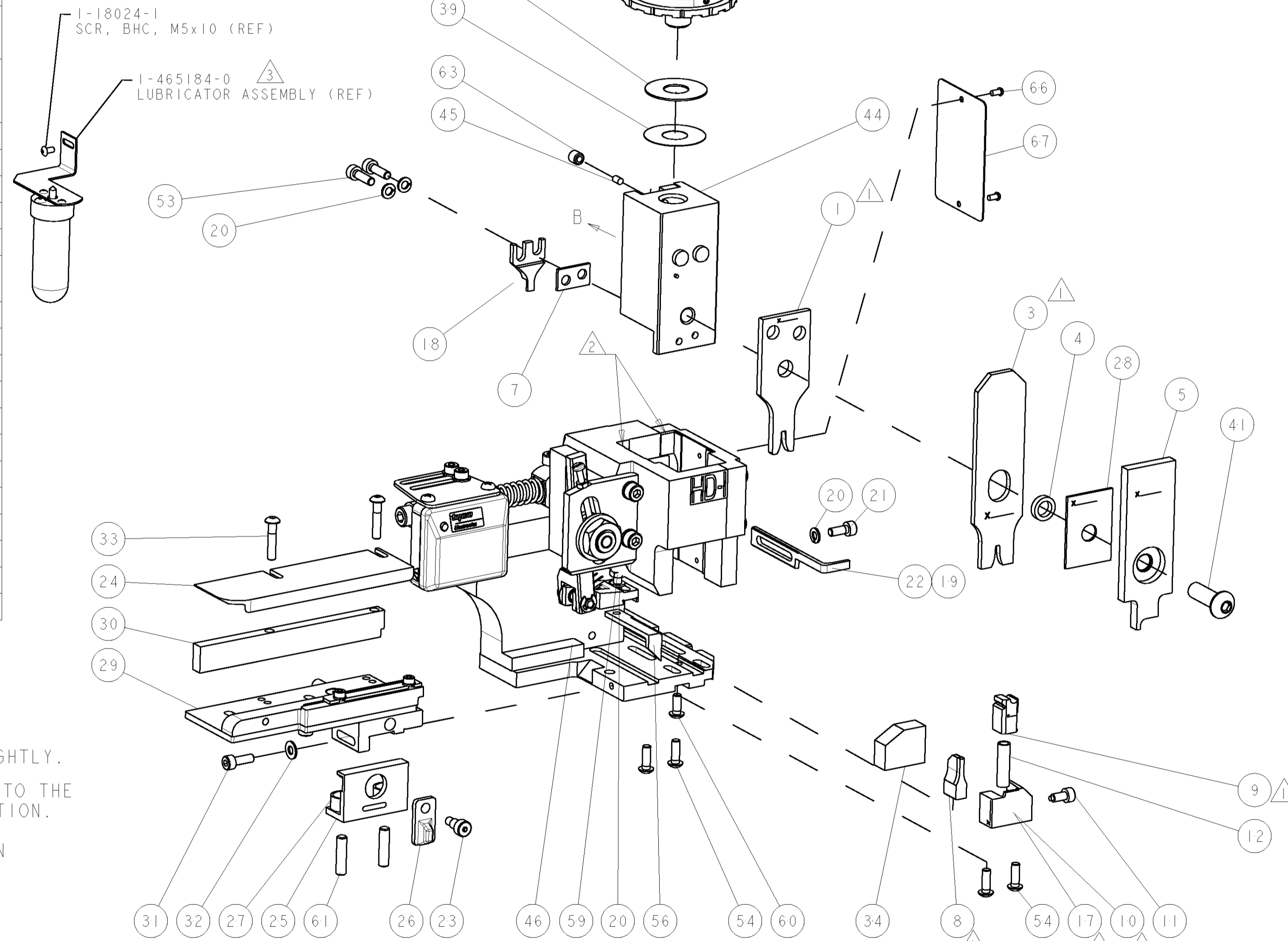
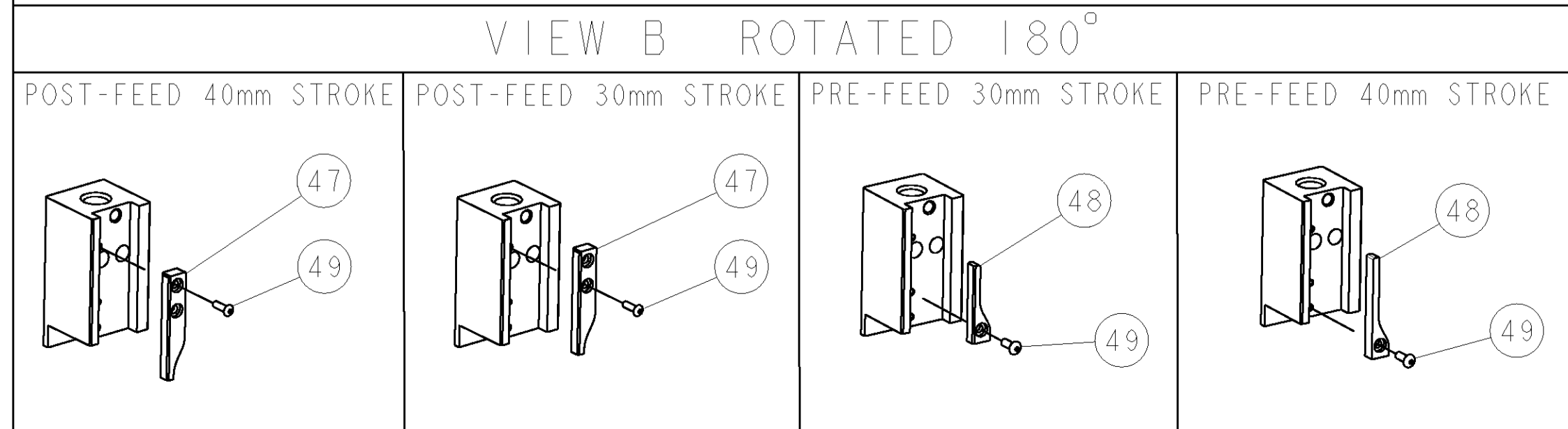


Table with columns: PART NUMBER, REV, TERMINATOR, FEED TYPE, DESCRIPTION. Lists various part numbers and their descriptions.

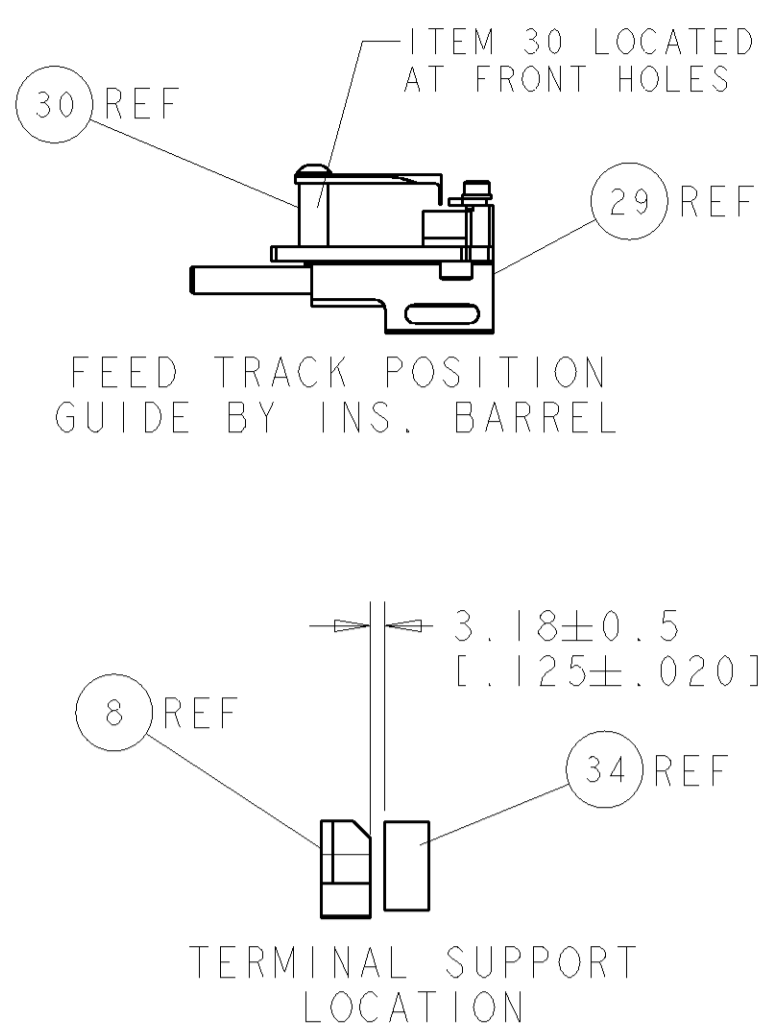
CRIMP DATA PACKARD TERMINAL PACKARD CRIMP SPECS. Includes terminal name, crimp size, type, range, wire and insulation details, wire strip length, and crimp height settings.

- RECOMMENDED SPARE PARTS.
2. GREASE RAM, CAM, CAM FOLLOWER AND FEED ROD LIGHTLY.
3. CERTAIN TERMINALS REQUIRE LUBRICATION. REFER TO THE APPLICATOR INSTRUCTION SHEET FOR MORE INFORMATION.
4. LUBRICATE DAILY PER THE APPLICATOR INSTRUCTION SHEET SUPPLIED WITH THE APPLICATOR.



\* WARNING ON INSTALLATION, SET WIRE DISC TO LARGEST WIRE SIZE SETTING. USE OF SETTINGS BELOW MIN. REQUIRED CRIMP HEIGHT SETTING WILL CAUSE DAMAGE TO CRIMP TOOLING.

Table with columns: PART NO, DESCRIPTION, ITEM NO. Lists part numbers and descriptions for various components.



SET UP GAGE 458637-3. Includes a table with columns: LOC, DIST, P, LTR, DESCRIPTION, DATE, DWN, APVD.

Large table with columns: PART NO, DESCRIPTION, ITEM NO. Lists a comprehensive list of parts and their descriptions.