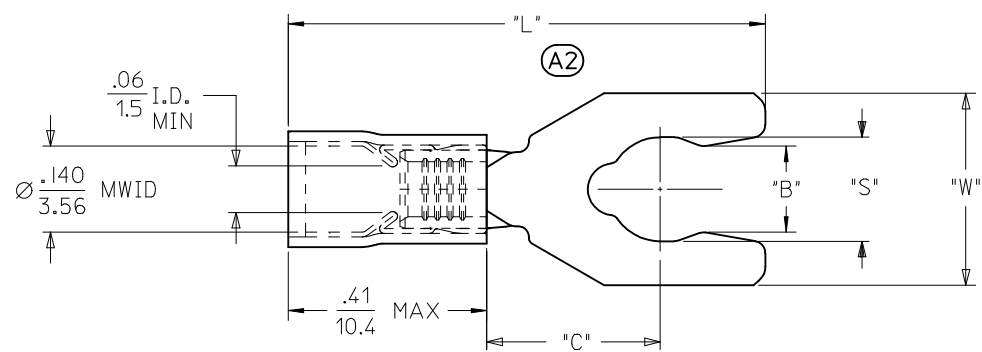
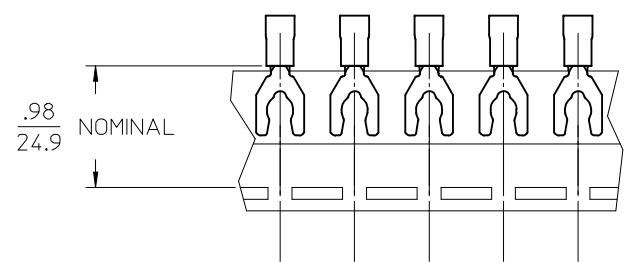


MATERIAL NUMBER	ALTERNATE NUMBER	STUD SIZE	"S" ±.010/0.25	"W" ±.010/0.25	"C" MIN	"L" MAX	"B"	PACKAGING
191150007	AA-8704-05	5	.126/3.20	.255/6.48	.23/5.8	.81/20.6	.105/2.67	LOOSE PIECE
191150009	AA-8704-06	6	.140/3.56	.255/6.48	.23/5.8	.81/20.6	.114/2.90	
191150012	AA-8714-08	8	.168/4.27	.310/7.87	.26/6.6	.88/22.2	.139/3.53	
191150014	AA-8715-10	10	.192/4.88	.330/8.38	.26/6.6	.92/23.4	.156/3.96	
191150008	AA-8704-05T	5	.126/3.20	.255/6.48	.23/5.8	.81/20.6	.105/2.67	TAPE MOUNTED
191150010	AA-8704-06T	6	.140/3.56	.255/6.48	.23/5.8	.81/20.6	.114/2.90	
191150013	AA-8714-08T	8	.168/4.27	.310/7.87	.26/6.6	.88/22.2	.139/3.53	
191150015	AA-8715-10T	10	.192/4.88	.330/8.38	.26/6.6	.92/23.4	.156/3.96	



NOTES:  
 1. MATERIAL: COPPER  
 PLATING: ELECTROPLATE TIN  
 2. FERRULE: TIN-PLATED BRASS  
 3. INSULATION: LIGHT RED NYLON  
 4. MWID=MAXIMUM WIRE INSULATION DIA.  
 5. PARTS ARE ROHS COMPLIANT.

REVISION "L" DIM EC NO: PG2013-0981 DRAWING: GROSAS01 2013/01/02 CHKD: JMCNEIL 2013/01/02 APPR: JMCNEIL 2013/01/31 A2	QUALITY SYMBOLS ▽=0 ▽=0	GENERAL TOLERANCES (UNLESS SPECIFIED) mm INCH 4 PLACES ± --- ± --- 3 PLACES ± --- ± .005 2 PLACES ± 0.13 ± .010 1 PLACE ± 0.25 ± .020 ANGULAR ± 1/2°	DIMENSION STYLE IN/MM DRAWN BY DATE ETHRODAHL 2010/06/04 CHECKED BY DATE JMCNEIL 2010/06/09 APPROVED BY DATE JMCNEIL 2010/06/22	SCALE --- DESIGN UNITS INCH THIRD ANGLE PROJECTION	TITLE SNAP SPADE TERMINAL AVIKRIMP 22-18 AWG
	DRAFT WHERE APPLICABLE MUST REMAIN WITHIN DIMENSIONS		MATERIAL NO. SEE CHART	DOCUMENT NO. SD-19115-001	SHEET NO. 1 OF 1
	THIS DRAWING CONTAINS INFORMATION THAT IS PROPRIETARY TO MOLEX INCORPORATED AND SHOULD NOT BE USED WITHOUT WRITTEN PERMISSION				
	MOLEX INCORPORATED				