

THIS DRAWING IS UNPUBLISHED.

RELEASED FOR PUBLICATION

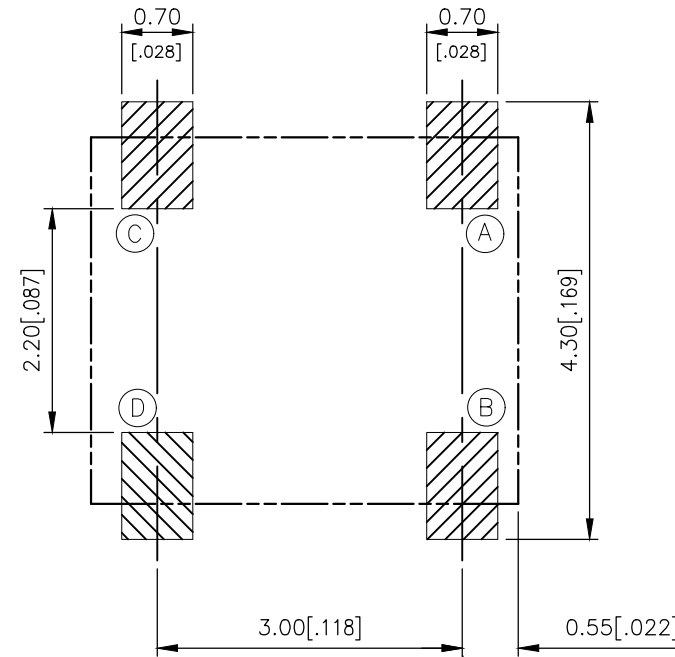
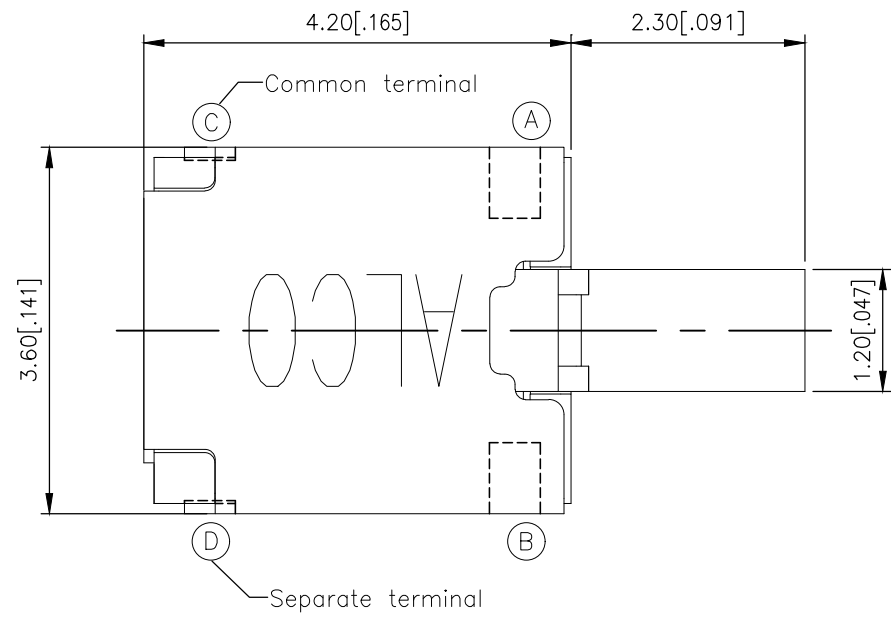
REVISIONS

© COPYRIGHT - TE Connectivity Ltd.

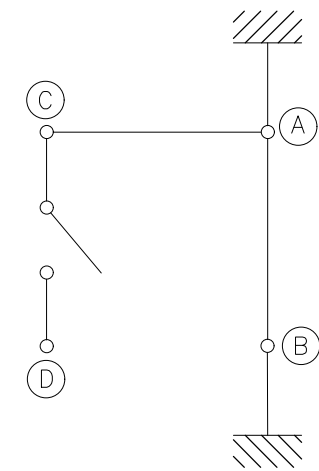
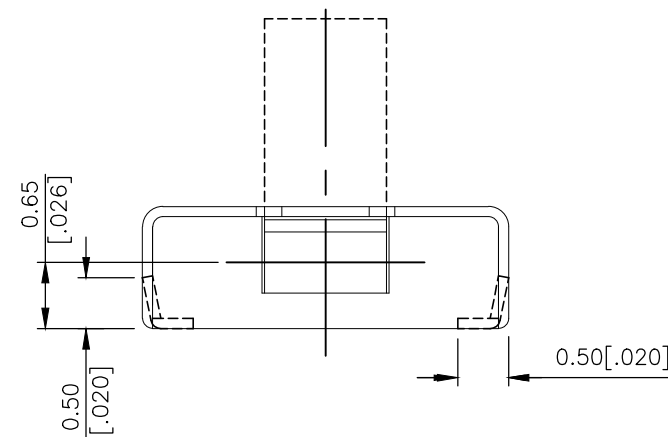
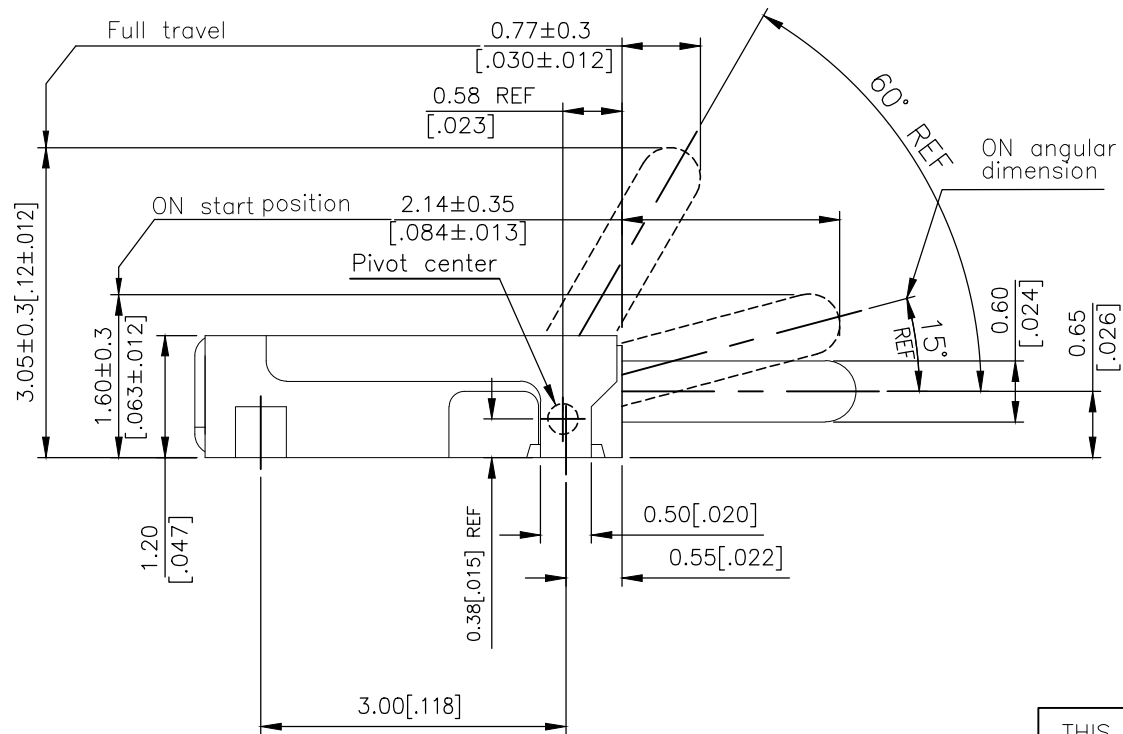
ALL RIGHTS RESERVED.

P	LTR	DESCRIPTION	DATE	DWN	APVD
A		ECR-18-012767	14AUG2018	DHC	AS

2331411-1  
AS SHOWN



P.C.B. LAYOUT



CIRCUIT DIAGRAM

THIS DRAWING IS A CONTROLLED DOCUMENT.

DWN GANESH C M 07MAR2018

CHK ALEXANDER SHARPE 07MAR2018

APVD ALEXANDER SHARPE 07MAR2018

PRODUCT SPEC

APPLICATION SPEC

WEIGHT

CUSTOMER DRAWING

**STE** TE Connectivity Ltd.

NAME SWITCH, DETECTOR, JJD SERIES, 4.2X3.6mm, VERTICAL ACTUATION, UPLIFT, SMT

SIZE CAGE CODE DRAWING NO RESTRICTED TO

A3 00779 C-2331411

SCALE NTS SHEET 1 of 3 REV A

DIMENSIONS:  
mm [INCHES]

TOLERANCES UNLESS OTHERWISE SPECIFIED:

- 0 PLC ± -
- 1 PLC ± -
- 2 PLC ± 0.20 [.008]
- 3 PLC ± -
- 4 PLC ± -
- ANGLES ± -

MATERIAL

FINISH

THIS DRAWING IS UNPUBLISHED.

RELEASED FOR PUBLICATION

---

REVISIONS

© COPYRIGHT - TE Connectivity Ltd.

ALL RIGHTS RESERVED.

P	LTR	DESCRIPTION	DATE	DWN	APVD
-	-	SEE SHEET 1	-	-	-

NOTES:

1. MATERIALS

ACTUATOR: THERMOPLASTIC, UL 94V-0, BLACK  
 BODY: THERMOPLASTIC, UL 94V-0, BLACK  
 COVER: NICKEL SILVER  
 TERMINAL: COPPER ALLOY, SILVER PLATE  
 CONTACT: COPPER ALLOY, SILVER PLATE  
 SILICONE: SILICONE, BLACK  
 STEM: THERMOPLASTIC, BLACK

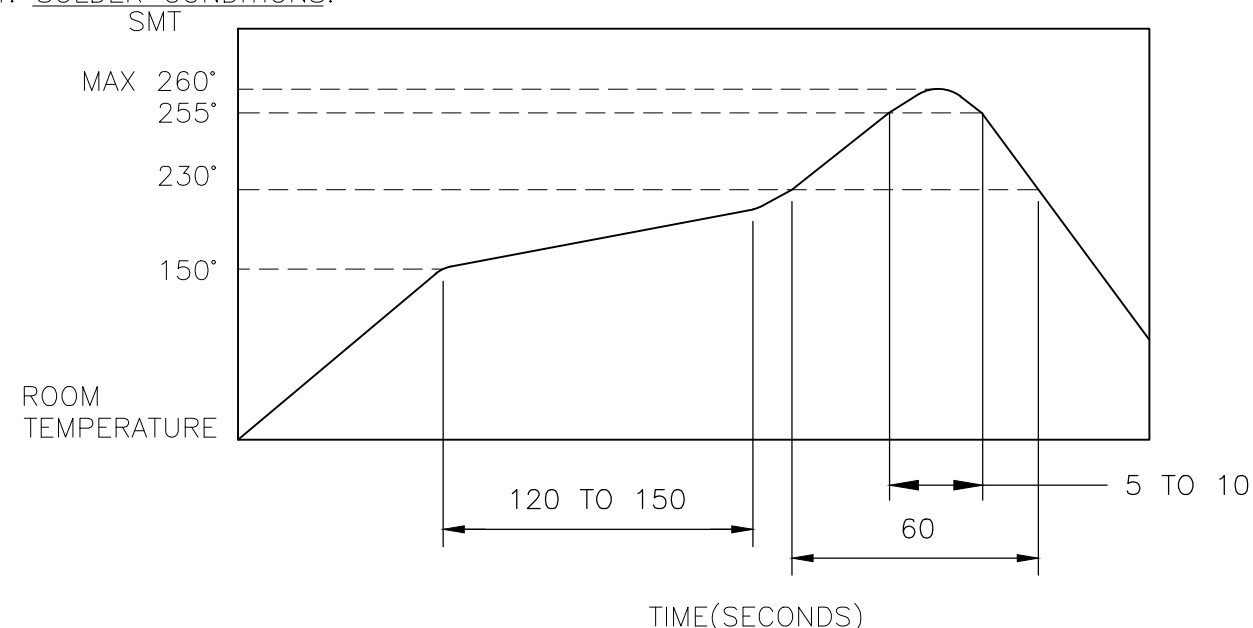
2. COMPLIANCE:

ALL MATERIALS AND FINISHES SHALL COMPLY WITH EU  
 DIRECTIVE 2002/95/EC OF 27JAN2003(RoHS)

3. SPECIFICATIONS:

RATING: DC 3V, 50 mA TO DC 5V, 10mA  
 CONTACT RESISTANCE: 500mΩ MAXIMUM (INITIAL)  
 INSULATION RESISTANCE: 100MΩ MINIMUM AT 100 V DC  
 DIELECTRIC STRENGTH: 100 V AC, 1 MINUTE  
 OPERATING LIFE: 50,000 CYCLES WITH LOAD  
 TOTAL TRAVEL: 60°  
 ACTUATION FORCE: 40gf MAXIMUM  
 OPERATING TEMPERATURE: -10°C TO 60° C  
 STORAGE TEMPERATURE: -20°C TO 70° C

4. SOLDER CONDITIONS:



THE CONDITION MENTIONED ABOVE IS THE TEMPERATURE ON THE CU FOIL OF THE PCB SURFACE. THERE ARE CASES WHERE THE BOARD'S TEMPERATURE GREATLY DIFFERS FROM THE SWITCH'S SURFACE. DO NOT ALLOW SWITCH'S SURFACE TEMPERATURE TO EXCEED 260°C

MANUAL SOLDERING

SOLDERING TEMPERATURE	MAX.350°C.
CONTINUOUS SOLDERING TIME	MAX. 5 SECONDS.

PRECAUTIONS IN HANDLING

1. CARE SHOULD BE EXERCISED SO THAT FLUX FROM THE UPPER PART OF THE PRINTED CIRCUIT BOARD DOES NOT ADHERE TO THE SWITCH.

JJDVUUJ305NONMRTR	2331411-1
SMART PART NUMBER	PART NUMBER

THIS DRAWING IS A CONTROLLED DOCUMENT.		DWN	07MAR2018	<b>STE</b> TE Connectivity Ltd.		
		CHK	07MAR2018			
DIMENSIONS: mm [INCHES]		TOLERANCES UNLESS OTHERWISE SPECIFIED:		NAME		
		0 PLC ± -		ALEXANDER SHARPE		
		1 PLC ± -		APVD 07MAR2018		
		2 PLC ± 0.20 [.008]		ALEXANDER SHARPE		
		3 PLC ± -		PRODUCT SPEC		
4 PLC ± -		APPLICAITON SPEC		SIZE		
ANGLES ± -		FINISH		CAGE CODE		
MATERIAL				DRAWING NO		
				RESTRICTED TO		
				A300779		
				G=2331411		
CUSTOMER DRAWING				SCALE	SHEET	REV
				NTS	2 OF 3	A

THIS DRAWING IS UNPUBLISHED.

RELEASED FOR PUBLICATION

© COPYRIGHT - TE Connectivity Ltd.

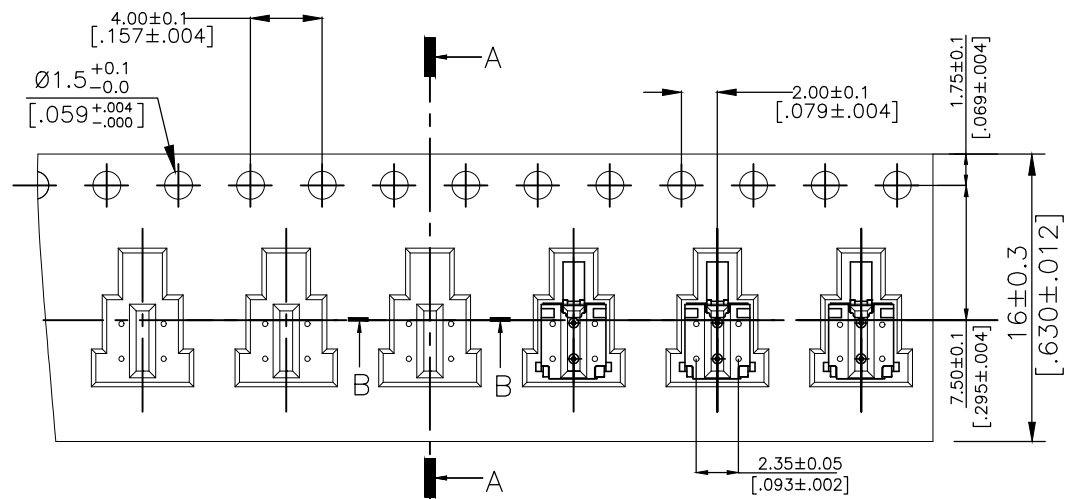
ALL RIGHTS RESERVED.

REVISIONS

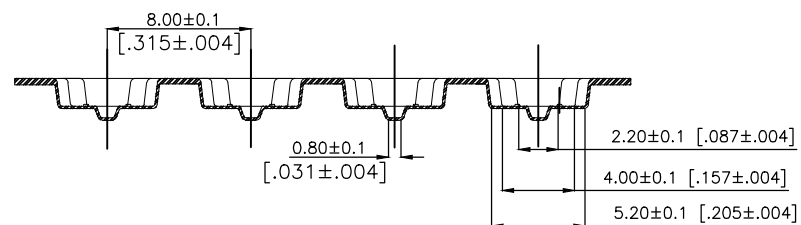
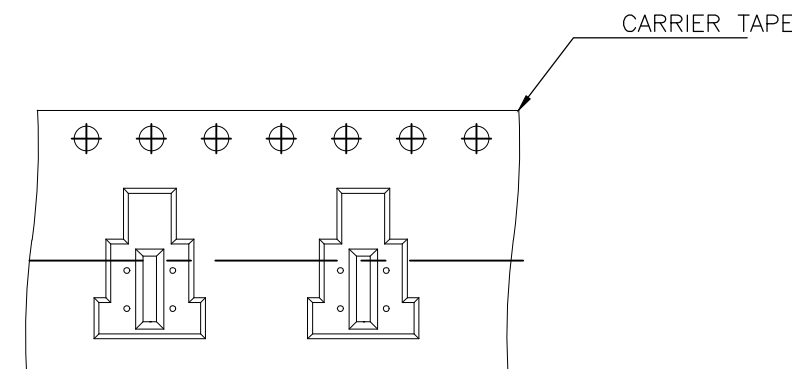
P	LTR	DESCRIPTION	DATE	DWN	APVD
-	-	SEE SHEET 1	-	-	-

PACKAGING:  
3600 SWITCHES PER REEL

THE DIMENSION OF CARRIER TAPE, COVER TAPE AND REEL

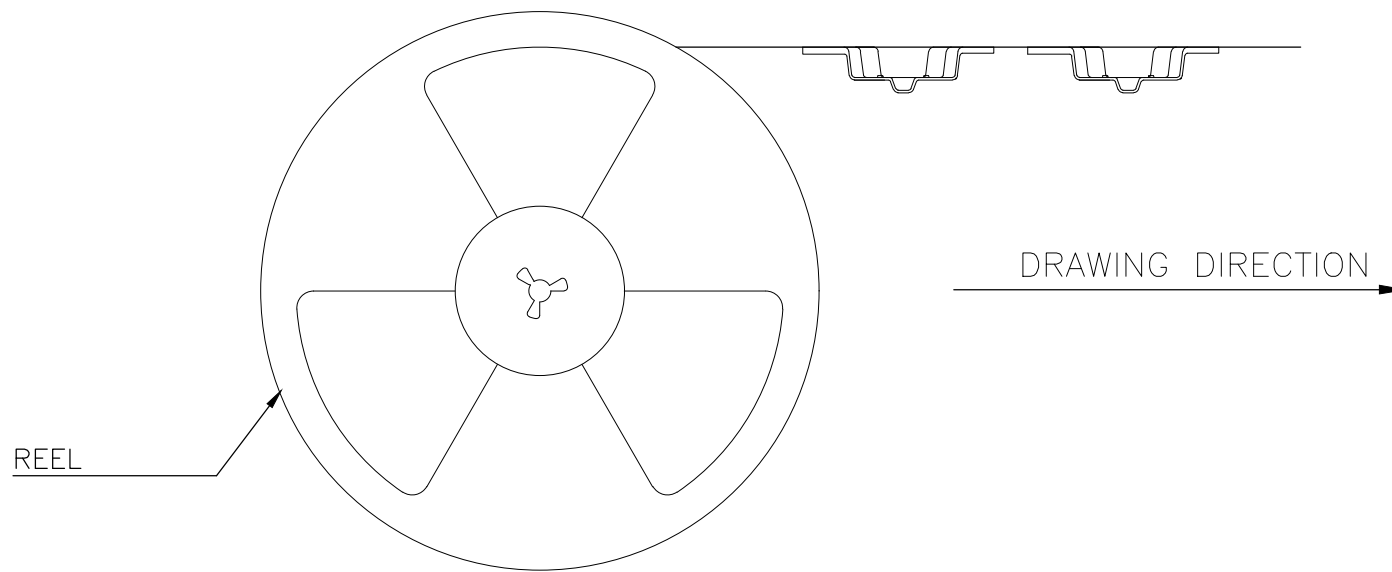
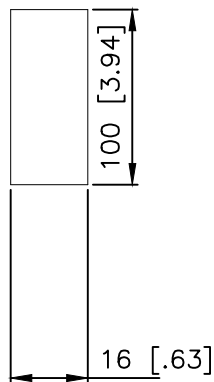
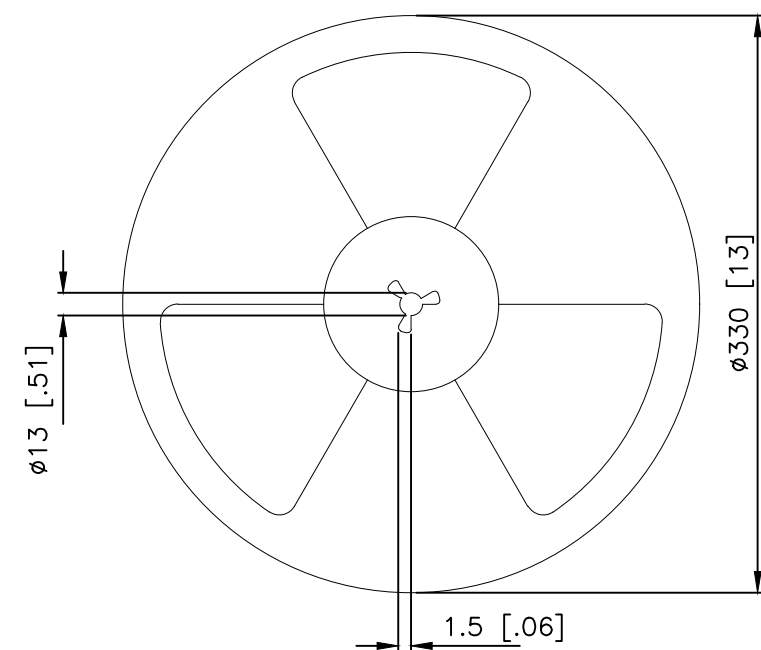
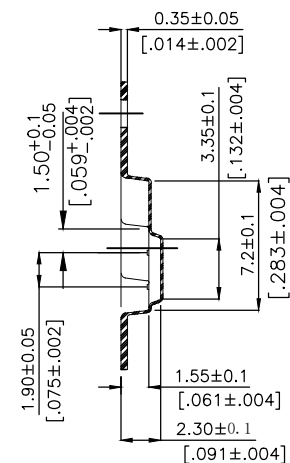


THE DIRECTION OF PILOT HOLES



SECTION B-B

SECTION A-A



THIS DRAWING IS A CONTROLLED DOCUMENT.		DWN GANESH C M 07MAR2018	TE Connectivity Ltd.		
DIMENSIONS: mm [INCHES]		CHK ALEXANDER SHARPE 07MAR2018			
TOLERANCES UNLESS OTHERWISE SPECIFIED:		APVD ALEXANDER SHARPE 07MAR2018	NAME SWITCH, DETECTOR, JJD SERIES, 4.2X3.6mm, VERTICAL ACTUATION, UPLIFT, SMT		
0 PLC ± - 1 PLC ± - 2 PLC ± 0.20 [.008] 3 PLC ± - 4 PLC ± - ANGLES ± -		PRODUCT SPEC -	APPLICATION SPEC -		
MATERIAL -		FINISH -	WEIGHT -	SIZE A3	CAGE CODE 00779
CUSTOMER DRAWING			DRAWING NO C-2331411	RESTRICTED TO -	SCALE NTS
			SHEET 3 of 3	REV A	