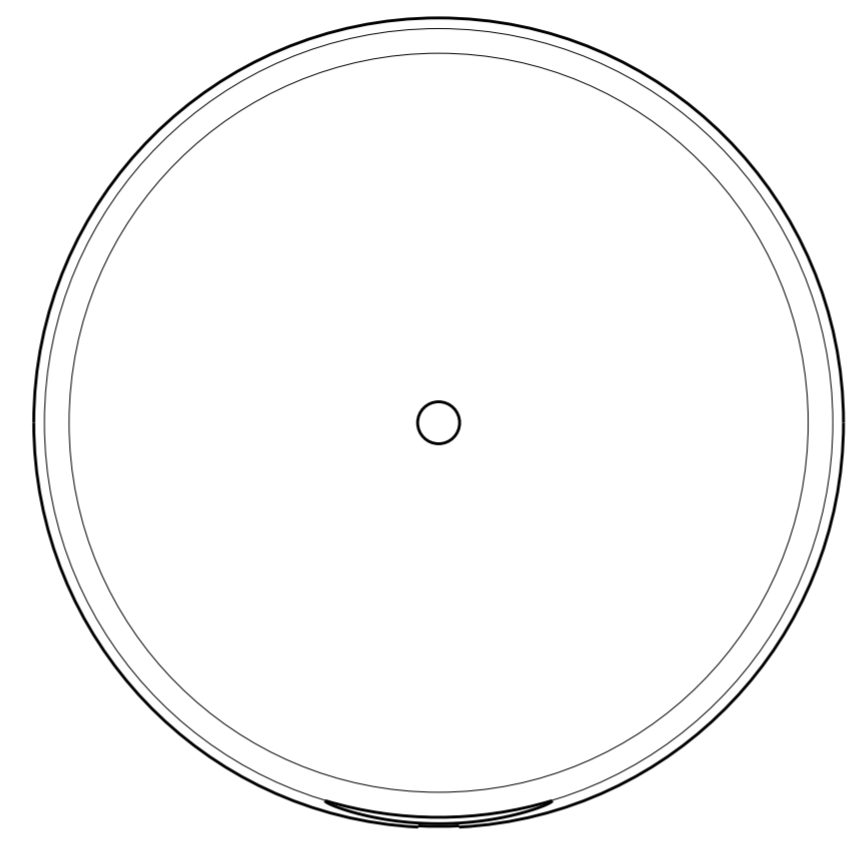
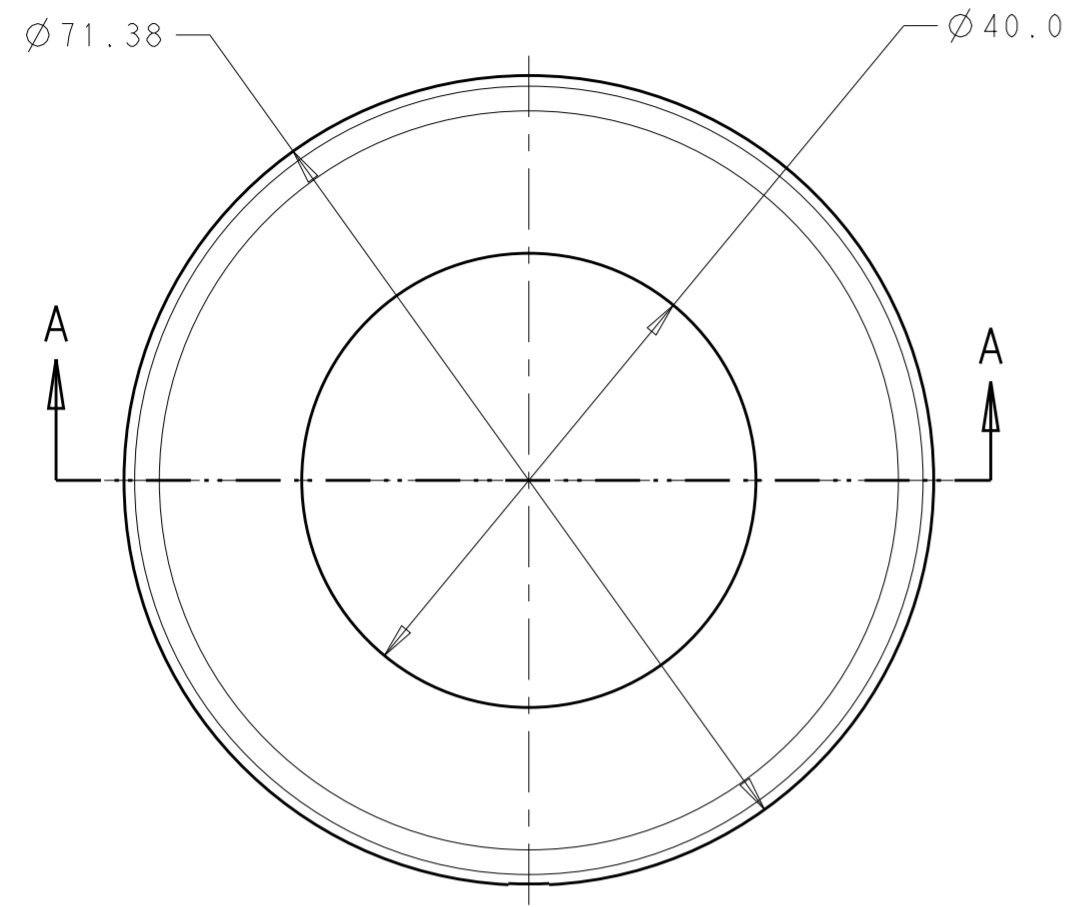


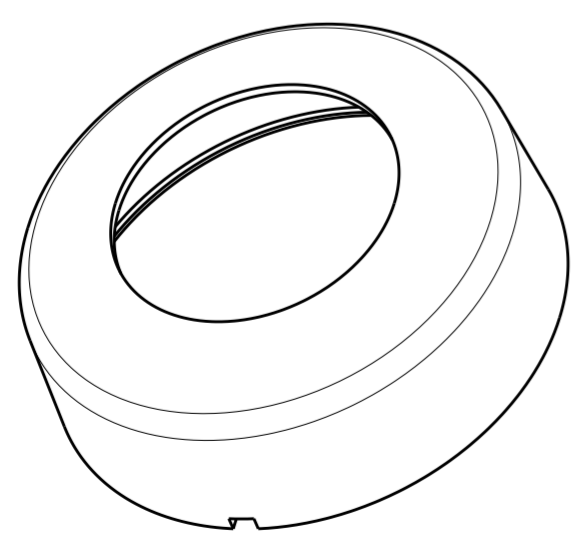
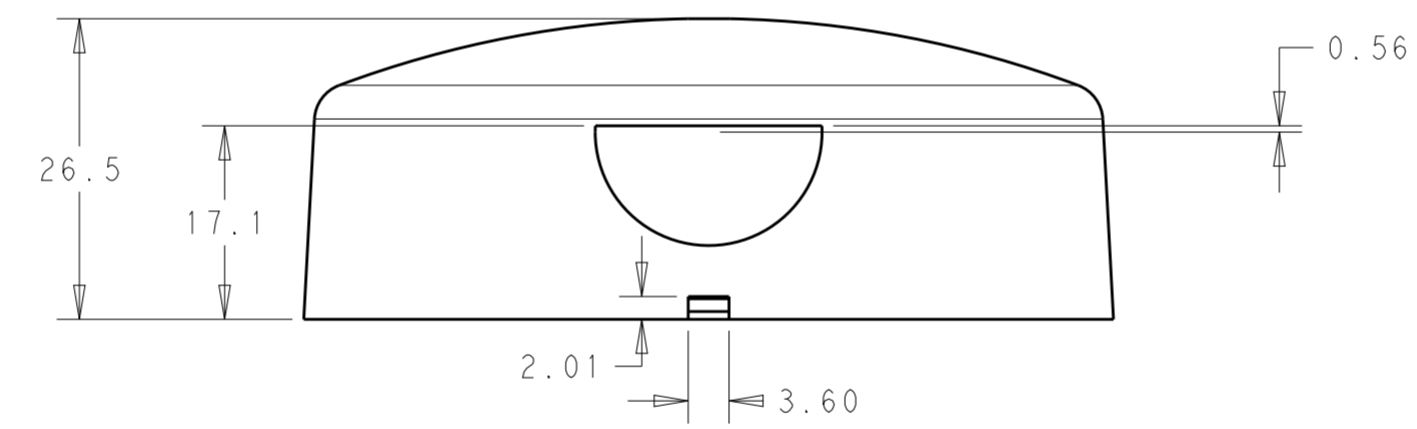
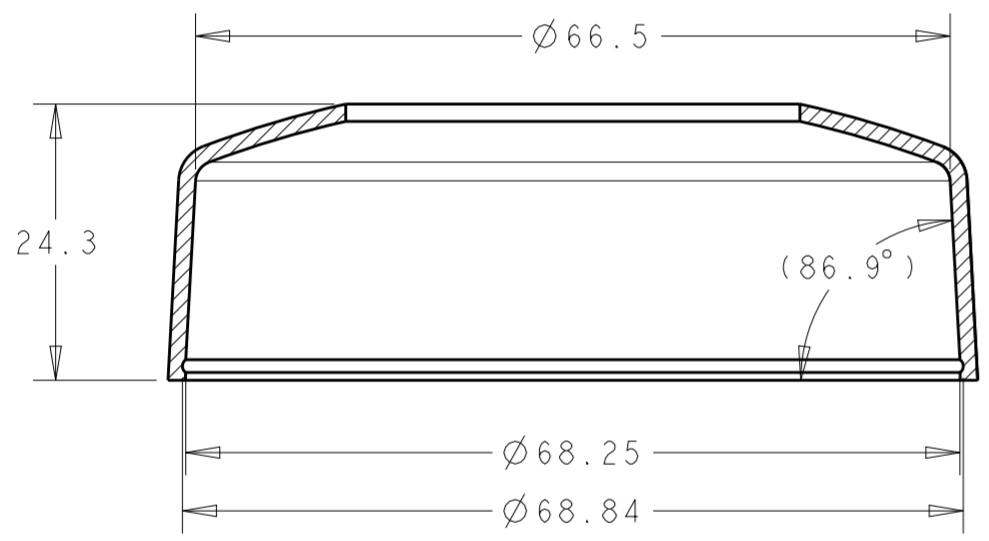
THIS DRAWING IS UNPUBLISHED. RELEASED FOR PUBLICATION 20  
 © COPYRIGHT 20 BY - ALL RIGHTS RESERVED.

REVISIONS				
P	LTR	DESCRIPTION	DATE	APVD
	A	REVISED PER ECO-17-010648	21JUL2017	RK DD

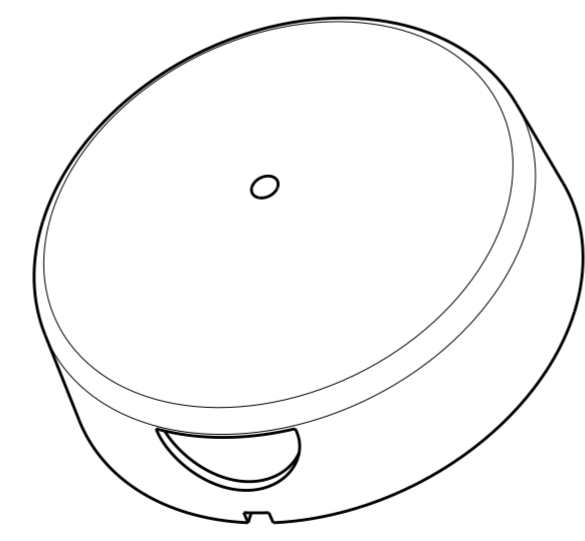


NOTES:

- 1 MATERIAL: PBT
- 2 MATING LIGHT CONTROLLER BASE ASSEMBLY TE P/N 2213871-1 AND 1-2213871-1.
- 3. THIS PRODUCT HAS NOT COMPLETED VALIDATION TESTING.
- 4 DELETED.
- 5 DOME P/N 2306128-1 OR 1-2306128-1 TO BE USED WITH SLEEVE P/N 2306132.
- 6 MAX ALLOWABLE PCB DIAMETER=  $\varnothing 66.625$



1-2306132-1  
SHOWN



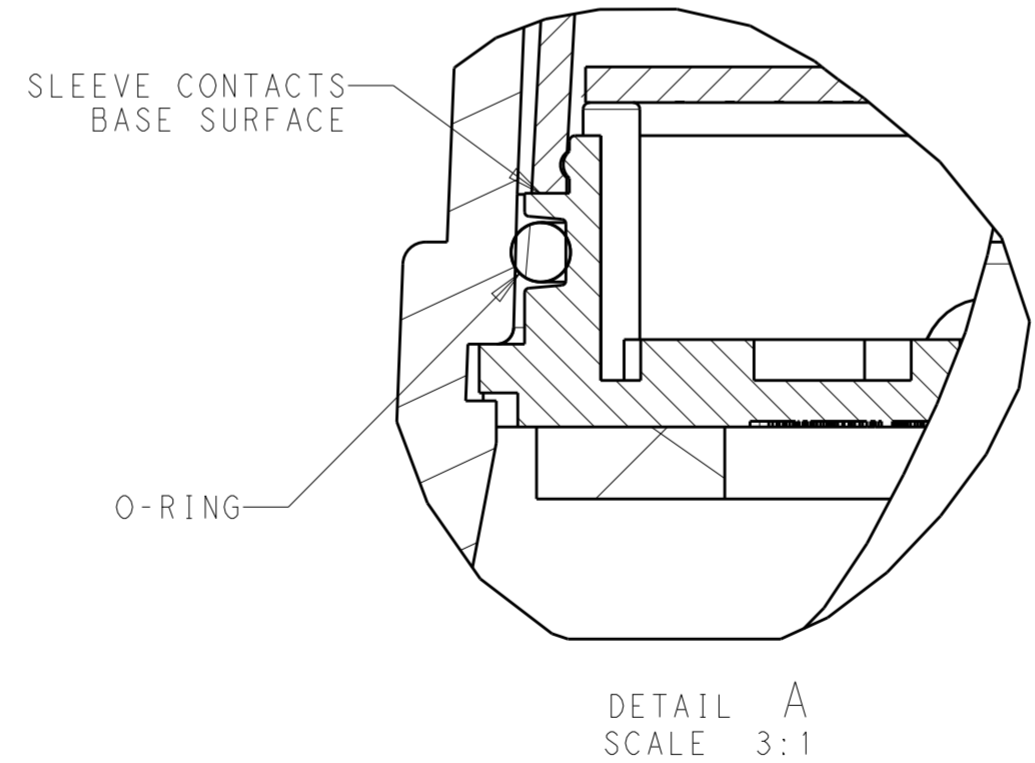
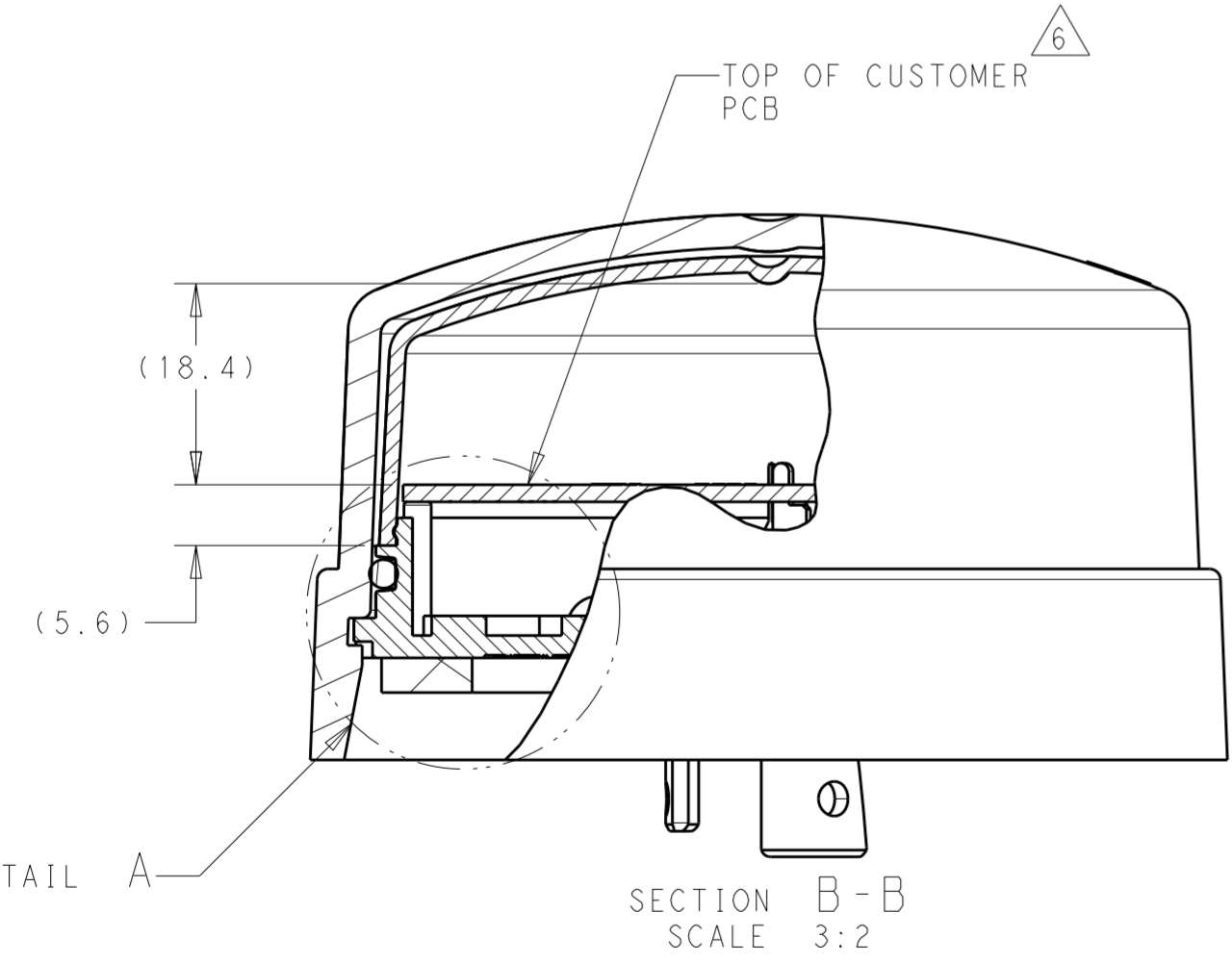
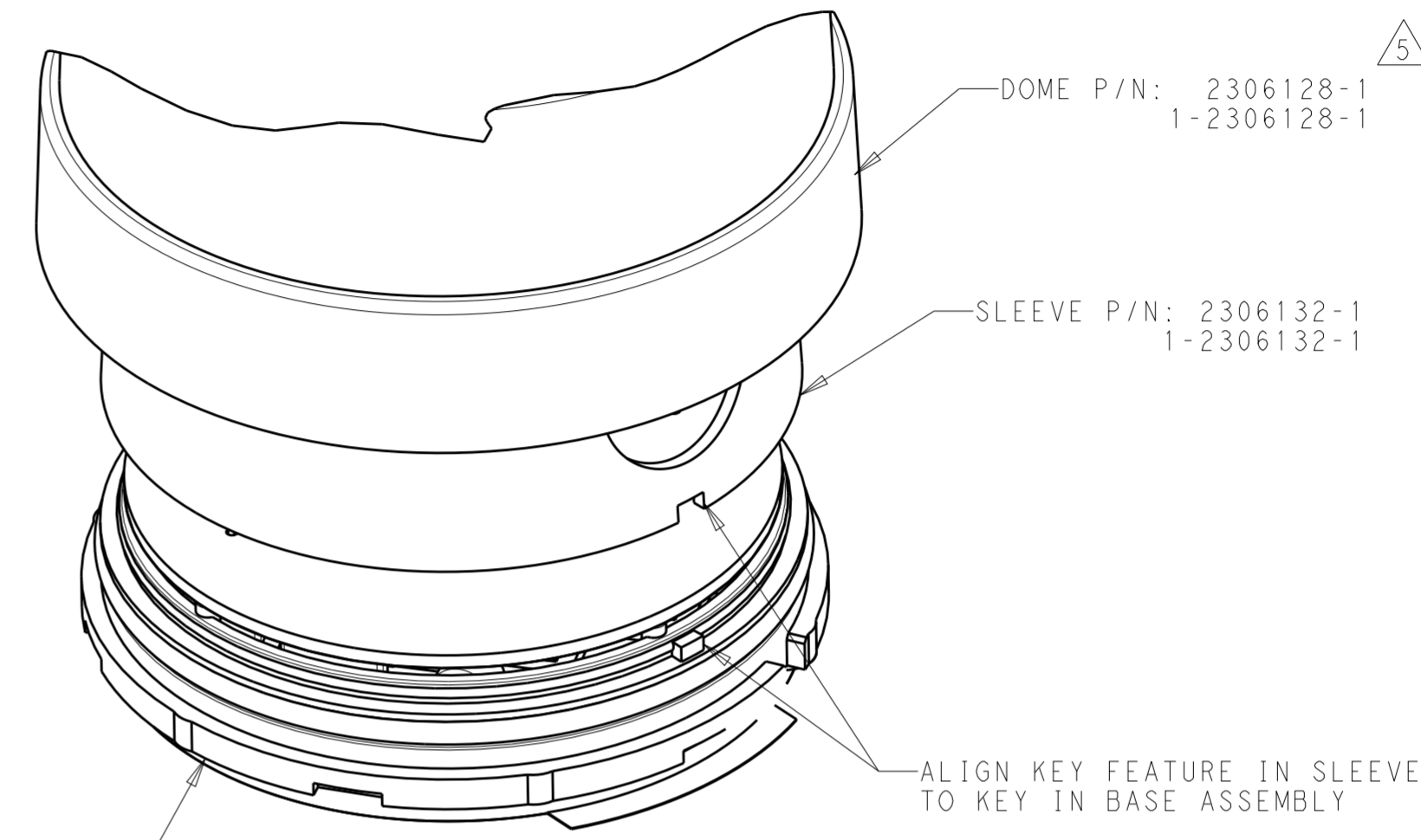
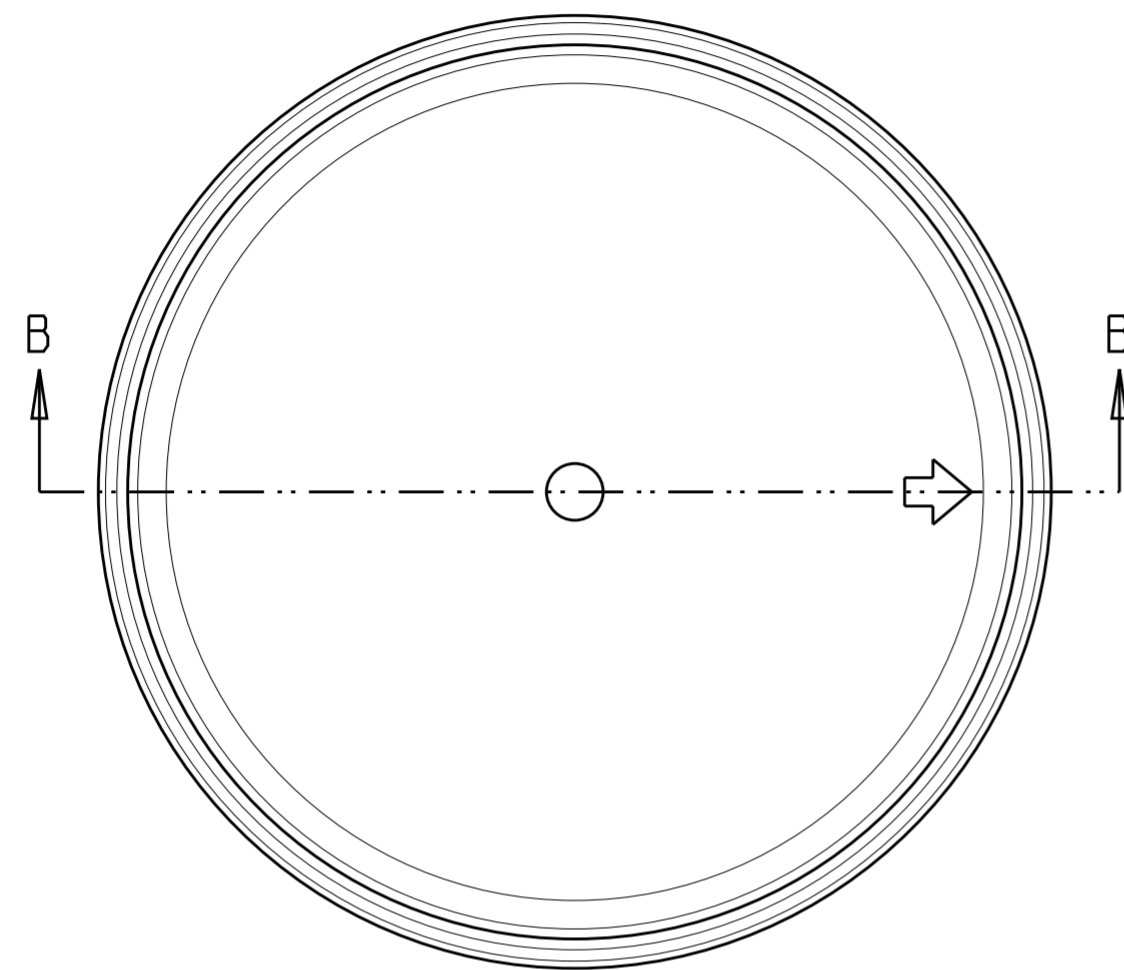
2306132-1  
SHOWN

TOP HOLE	JET BLACK	1-2306132-1
SIDE HOLE	JET BLACK	2306132-1
DESCRIPTION	COLOR	PART NO.

THIS DRAWING IS A CONTROLLED DOCUMENT.		DWN J. SHAFFER 18JUL2016	TE Connectivity		
		CHK E. HOWARD 18JUL2016			
DIMENSIONS: mm		TOLERANCES UNLESS OTHERWISE SPECIFIED: 0 PLC ± 1 PLC ±0.3 2 PLC ±0.25 3 PLC ± 4 PLC ± ANGLES ± FINISH -		NAME SLEEVE, CONTROLLER, LIGHT BASE, SHORT, 76 DIA	
		PRODUCT SPEC 108-32125		SIZE A2	
MATERIAL 1		APPLICATION SPEC 114-32159		CAGE CODE -	
		WEIGHT -		DRAWING NO C-2306132	
		CUSTOMER DRAWING		RESTRICTED TO -	
		SCALE 1:1		SHEET 1 OF 2 REV A	

THIS DRAWING IS UNPUBLISHED. RELEASED FOR PUBLICATION 20  
 © COPYRIGHT 20 BY - ALL RIGHTS RESERVED.

REVISIONS				
P	LTR	DESCRIPTION	DATE	APVD
-	-	SEE SHEET 1	-	-



THIS DRAWING IS A CONTROLLED DOCUMENT.		DWN J. SHAFFER 18 JUL 2016	TE Connectivity	
		CHK E. HOWARD 18 JUL 2016		
DIMENSIONS: mm		APVD -	NAME SLEEVE, CONTROLLER, LIGHT BASE, SHORT, 76 DIA	
TOLERANCES UNLESS OTHERWISE SPECIFIED: 0 PLC ± 1 PLC ±0.3 2 PLC ±0.25 3 PLC ± 4 PLC ± ANGLES ± FINISH -		PRODUCT SPEC 108-32125	RESTRICTED TO	
MATERIAL		APPLICATION SPEC 114-32159	SIZE A2	CAGE CODE -
		WEIGHT -	DRAWING NO C-2306132	SCALE 1:1
		CUSTOMER DRAWING	SHEET 2 OF 2	REV A