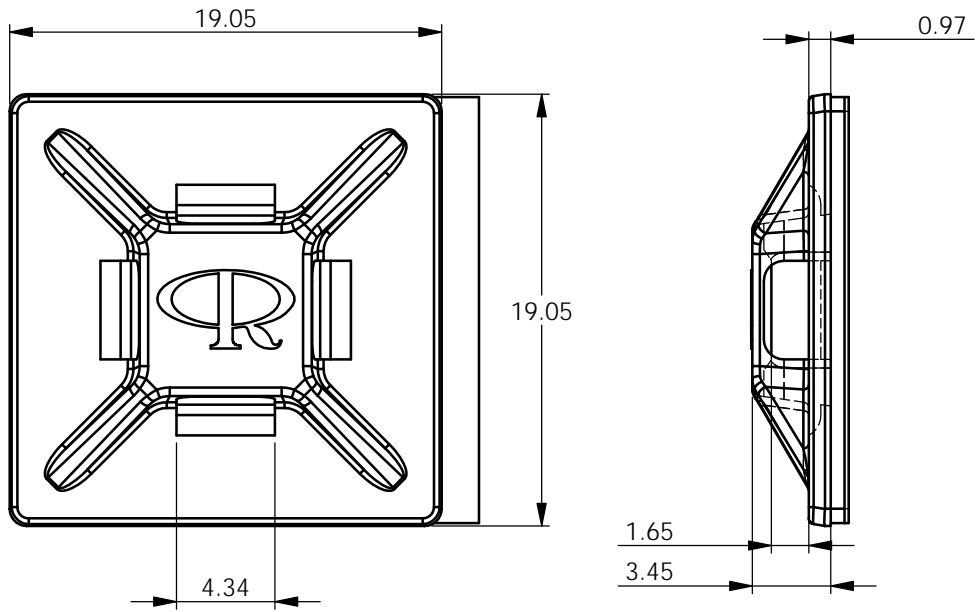


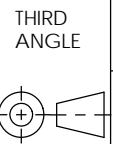
| REV. | MODIFICATION. | DATE | DRN |
|------|---------------|----------|-----|
| 01 | CO2011087 | 21/02/11 | SF |



INFORMATION CONTAINED IN THIS DOCUMENT IS CONFIDENTIAL TO RICHCO INTERNATIONAL Co. Ltd. AND MAY NOT BE DISCLOSED OR REPRODUCED IN WHOLE OR PART WITHOUT THEIR WRITTEN CONSENT.

RICHCO, INC.
WWW.RICHCO-INC.COM

ALL DIMENSIONS IN mm
GENERAL TOLERANCES ± 0.25
UNLESS OTHERWISE STATED
1 DECIMAL PLACE \pm
2 DECIMAL PLACES \pm
ANGULAR $\pm 1^\circ$



| MATERIAL: ABS, RMS-02 COLOUR: WHITE | | |
|-------------------------------------|---|--|
| PART No. | CABLE TIE ACCEPTED | ADHESIVE |
| FTH-40 | ALL RG CABLE TIES UP TO SIZE RG-210/310 | NONE |
| FTH-40A-RT | | 0.8 THICK DOUBLE SIDED ACRYLIC ADHESIVE TAPE, RMS-15 |
| FTH-40A1-RT | | 0.8 THICK DOUBLE SIDED RUBBER ADHESIVE TAPE, RMS-102 |

| | | | |
|---------------------------------|---------------------|-----------------------|------------------|
| MATERIAL: SEE TABLE | | COLOUR: SEE TABLE | |
| DESCRIPTION: FLAT TIE HOLDER | | PART No: SEE TABLE | |
| DRG No: 011-034 | NPR No: | SHEET SIZE A4 | |
| DRN SF | DATE 21/02/11 | CHKD JK | DATE 21/02/11 |
| SCALE NTS | SHEET No. 1 OF 1 | | |