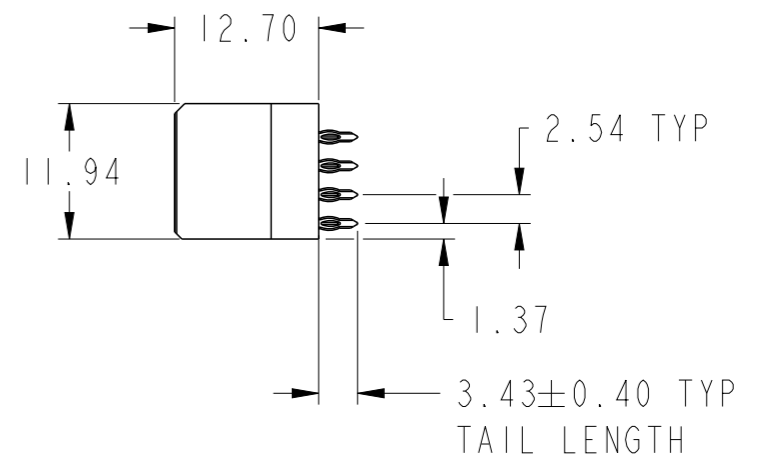
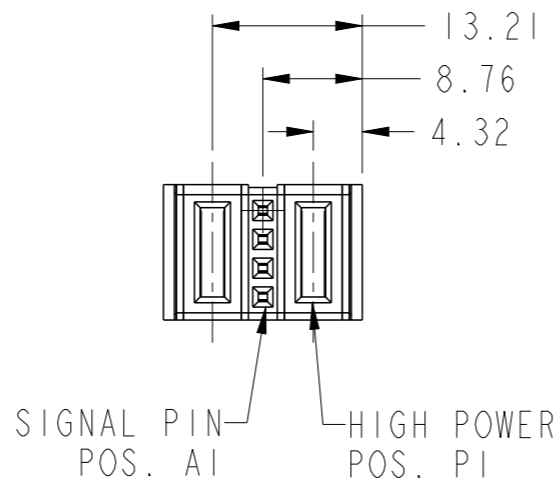
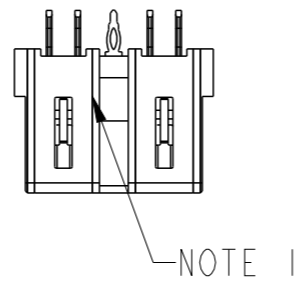
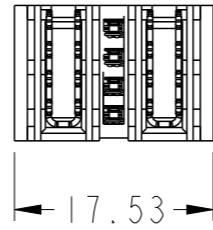


PRODUCT NUMBER SEE SHEET 2

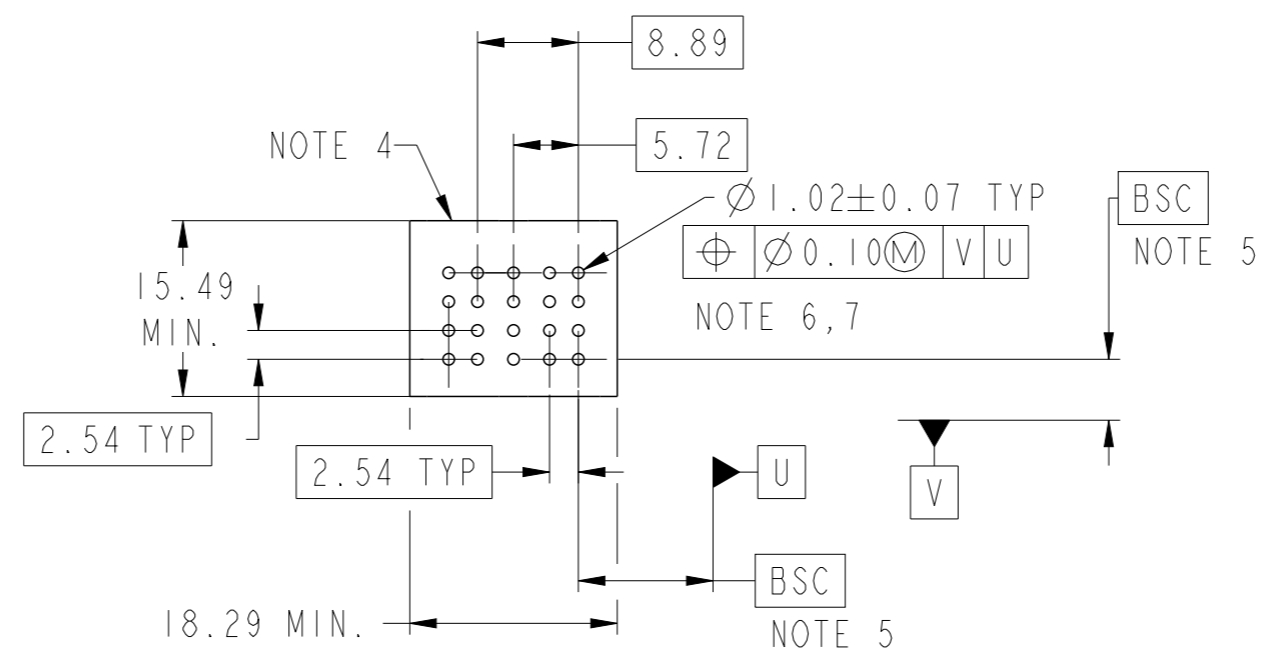


spec ref		dr	Rainbow Zhan	2014/12/22	projection	MM	size	A3	scale	3:2
tolerance std ASME Y14.5		TOLERANCES UNLESS OTHERWISE SPECIFIED			eng	Rainbow Zhan	2015/01/21	ecn no	ELX-DG-20018-1	
		chr			product family		PowerBlade+	rel level		
		appr	Pei-Ming Zheng	2015/01/22					Released	
surface	✓	linear	0.X	±0.50		title		IP + 4S + IP	dwg no 10106269-2001002	rev
			0.XX	±0.25				VT PF RECEPTACLE		B
			0.XXX	±0.10						
ASME Y14.5		angular	0°	±2°	www.fci.com	cat. no.	Product - Customer Drw		sheet 1 of 3	

Copyright FCI. FCI

PRODUCT NO.	ROWS	HP S HP	
		E1 P2 1 P1 E2	
10106269-2001002LF	D C B A	HG	F F F HD

CODE	DESCRIPTION
F	STD SIGNAL CONTACT
HD	MFBL HIGH POWER CONTACT (3.43)
HG	STD HIGH POWER CONTACT (3.43)



Copyright FCI.

dr	Rainbow Zhan	2014/12/22	projection	MM	size	A3	scale	3:2
eng	Rainbow Zhan	2015/01/21			ecn no ELX-DG-20018-1			
chr	-	-			product family PowerBlade+		rel level Released	
appr	Pei-Ming Zheng	2015/01/22			title IP + 4S + IP VT PF RECEPTACLE		dwg no 10106269-2001002	rev B
www.fci.com			cat. no.		Product - Customer Drw		sheet 2 of 3	

A

B

C

D

A

B

C

D

NOTES:

- 1) "FCI", PART NUMBER AND DATE CODE TO BE MARKED ON THIS SURFACE.  
THE MARK CAN BE OMITTED IF THERE IS NOT ENOUGH SPACE ON THIS SURFACE.
- 2) MATERIALS:  
-HOUSING - GLASS FILLED WITH HIGH TEMP THERMOPLASTIC, UL94V-0.  
-SIGNAL CONTACT - COPPER ALLOY.  
-POWER CONTACT - HIGH CONDUCTIVITY COPPER ALLOY.
- 3) PLATING SPECIFICATION REFER TO FCI 10116351
- 4) DENOTES CONNECTOR KEEP OUT ZONE.
- 5) DATUM AND BASIC DIMENSIONS WERE ESTABLISHED BY CUSTOMER.
- 6) ALL HOLE DIAMETERS ARE FINISHED HOLE SIZES.
- 7)  $1.15 \pm 0.025$ MM DRILLED HOLE PLATED WITH 0.00762MM MIN Sn  
OVER 0.0254-0.0762MM Cu PLATING TO ACHIEVE A  $1.02 \pm 0.07$ MM HOLE.
- 8) PRODUCT SPECIFICATION REFER TO FCI GS-12-658.  
APPLICATION SPECIFICATION REFER TO FCI GS-20-141.  
PRODUCT PACKAGED IN TRAYS, REFER TO FCI GS-14-1502.
- 9) THE VOID CORING IN BETWEEN POWER MODULES, SIGNAL  
MODULES AND END MODULES ARE OPTIONAL AND THE SHAPE  
MAY BE DIFFERENT FOR OPTIMIZE THE MOLDING PROCESS. THE  
VOID CORING WILL NOT EFFECT TO PRODUCT FUNCTION.
- 10) A  $\triangle B$  SYMBOL WILL BE NEXT TO ANY DIMENSION, VIEW, OR NOTE WHICH  
HAS BEEN MODIFIED WITH THE CURRENT DRAWING REVISION.



Copyright FCI.

dr	Rainbow Zhan	2014/12/22	projection 	MM 	size	A3	scale	1:1
eng	Rainbow Zhan	2015/01/21			ecn no	ELX-DG-20018-1		
chr	-	-	product family	PowerBlade+	rel level		Released	
appr	Pei-Ming Zheng	2015/01/22			www.fci.com		cat. no.	Product - Customer Drw
			title		IP + 4S + IP	dwg no	10106269-2001002	rev
					VT PF RECEPTACLE			B