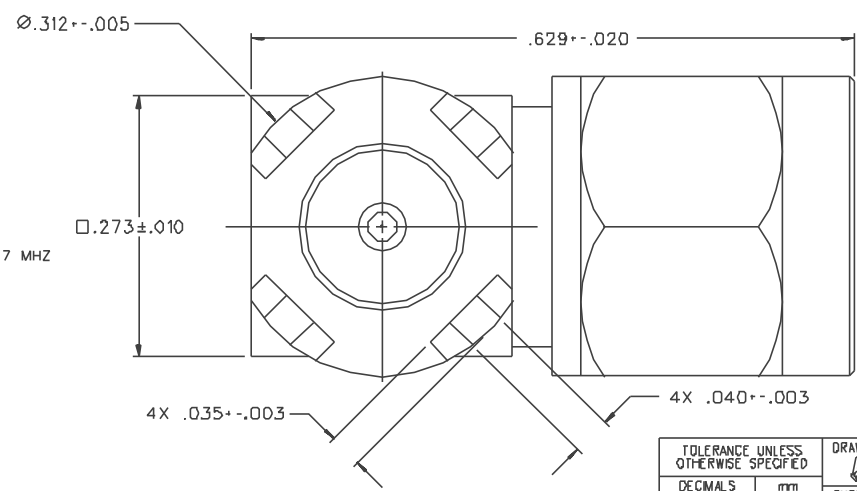
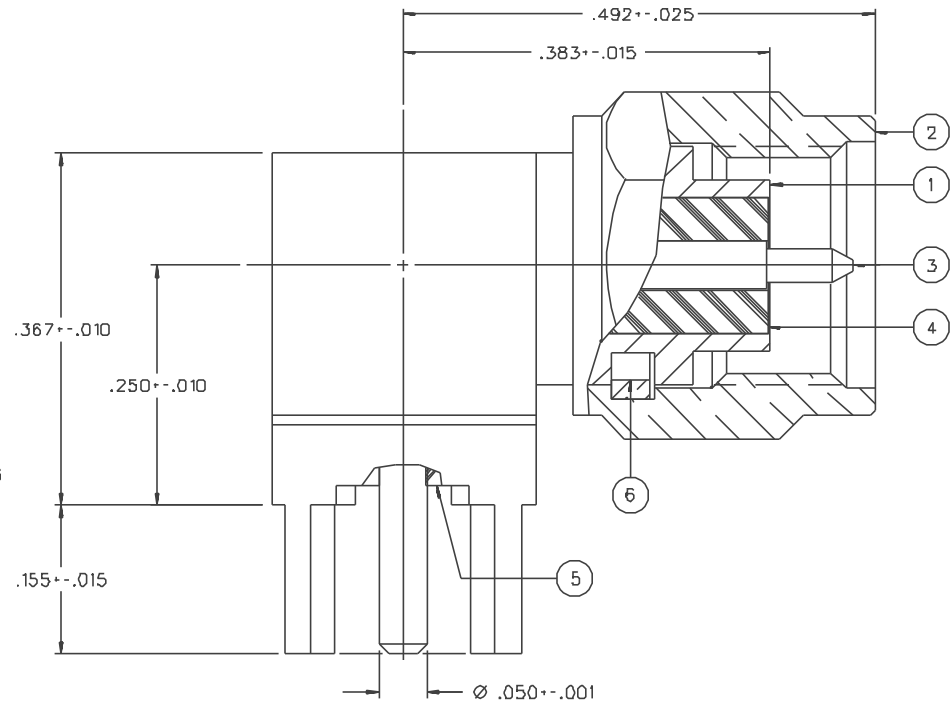
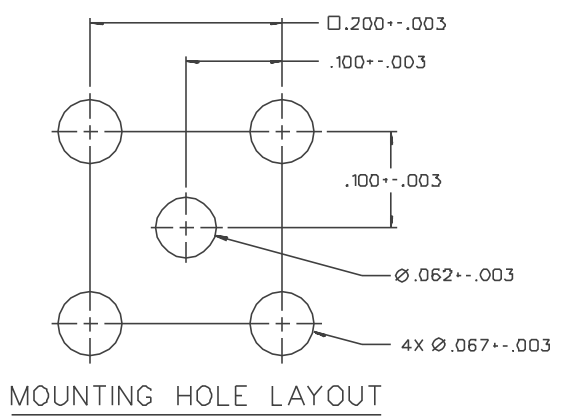


| PART NUMBER | ITEM ① BODY | ITEM ② NUT | ITEM ③ CONTACT (ONE PIECE) | ITEM ④ INSULATOR | ITEM ⑤ INSULATOR | ITEM ⑥ RETENTION SPRING |
|--------------|---|---|---|---------------------|---------------------|------------------------------|
| 142-DB01-301 | BRASS GOLD PL .00001 MIN OVER NICKEL PL .00005 MIN OVER COPPER PL .00005 MIN | BRASS GOLD PL .00001 MIN OVER NICKEL PL .00005 MIN OVER COPPER PL .00005 MIN | BRASS GOLD PL .00003 MIN OVER NICKEL PL .00005 MIN OVER COPPER PL .00005 MIN | TEFLON | TEFLON | BERYLLIUM COPPER UNPLATED |
| 142-DB01-306 | BRASS NICKEL PL .0001 MIN OVER COPPER PL .00005 MIN | BRASS NICKEL PL .0001 MIN OVER COPPER PL .00005 MIN | BRASS GOLD PL .00003 MIN OVER NICKEL PL .00005 MIN OVER COPPER PL .00005 MIN | TEFLON | TEFLON | BERYLLIUM COPPER UNPLATED |

| | |
|--|------------------------------|
| DRAWING NO. C - 142-0801-301/310 | |
| 0 REVISIONS | |
| ENGINEERING RELEASE | |
| 01 05-21-90 | E J B W 5-30-90 ECO 24650 |
| ADDED: □ .273±.010 | |
| 2 2-11-91 | R J A W 2-18-91 ECO 40024 |
| CHANGED: UPDATED GRAPHICS | |
| 3 12-18-97 | R S B W ECN 45137 |
| VERSION UPDATE | |
| * REVISION NUMBER FOLLOWED BY AN ALPHA * | |
| * CHARACTER INDICATES DRAWING CLASSIF. * | |
| * CATION OR PART NUMBER ADDITION ONLY. * | |
| 3a 2-20-98 | R S B W ECN 45354 |



NOTES:

1. SPECIFICATIONS:

IMPEDANCE: 50 OHMS
 FREQUENCY RANGE: 0-18 GHZ
 VSWR: NOT APPLICABLE
 WORKING VOLTAGE: 335 VRMS MAX AT SEA LEVEL
 DIELECTRIC WITHSTANDING VOLTAGE: 1000 VRMS MIN AT SEA LEVEL
 INSULATION RESISTANCE: 5000 MEGOHM MIN
 CONTACT RESISTANCE:
 CENTER CONTACT - INITIAL 3.0 MILLIOHM MAX, AFTER ENVIRONMENTAL 4.0 MILLIOHM MAX
 OUTER CONDUCTOR - INITIAL 2.0 MILLIOHM MAX AFTER ENVIRONMENTAL NOT APPLICABLE
 BRAID TO BODY - NOT APPLICABLE
 CORONA LEVEL: 250 VOLTS MIN AT 70,000 FEET
 INSERTION LOSS: NOT APPLICABLE
 RF LEAKAGE: NOT APPLICABLE
 RF HIGH POTENTIAL WITHSTANDING VOLTAGE: 670 VRMS MIN AT 4 AND 7 MHZ

MECHANICAL:

ENGAGE/DISENGAGE TORQUE: 2 INCH-POUNDS MAX
 MATING TORQUE: 7-10 INCH POUNDS
 COUPLING PROOF TORQUE: NOT APPLICABLE
 COUPLING NUT RETENTION: 6D LBS MIN
 CONTACT RETENTION: 6 LBS MIN AXIAL FORCE
 CABLE ACCEPTABILITY: NOT APPLICABLE
 CABLE HEX CRIMP SIZE: NOT APPLICABLE
 CABLE RETENTION: NOT APPLICABLE
 DURABILITY: 500 CYCLES MIN

ENVIRONMENTAL:

(MEETS OR EXCEEDS THE APPLICABLE PARAGRAPH OF MIL-C-39012)
 THERMAL SHOCK: MIL-STD-202, METHOD 107, CONDITION B
 OPERATING TEMPERATURE: -65 DEG C TO 165 DEG C
 CORROSION: MIL-STD-202, METHOD 101, CONDITION B
 SHOCK: MIL-STD-202, METHOD 213, CONDITION I
 VIBRATION: ML-STD-202, METHOD 204, CONDITION D
 MOISTURE RESISTANCE: MIL STD 202, METHOD 106

CUSTOMER DRAWING

THIS DRAWING TO BE INTERPRETED PER ANSI Y 14.5M - 1982

"μSTATION"

COMPANY CONFIDENTIAL

| | | | | |
|--------------------------------------|--------------------|-----------------|---|-------------------------------------|
| TOLERANCE UNLESS OTHERWISE SPECIFIED | DRAWN BY EJ | DATE 1-23-90 | JOHNSON Cinch Connectivity Solutions 299 Johnson Ave. Ste. 100 Worcester, MA 02093 1-800-247-8256 | |
| DECIMALS _____ mm | CHECKED BY | DATE | TITLE | PLUG ASSEMBLY RA PC MOUNT SMA |
| .XXX _____ | APPROVED BY GLO | DATE 5-22-90 | CODE NO. | DRAWING NO. C - 142-0801-301/310 |
| MATL _____ | APPROVED BY RJB | DATE 5-22-90 | SCALE | 10:1 U/M INCH SHEET 2 OF 2 |
| FINISH _____ | RELEASE DATE | 5-30-90 | | |