

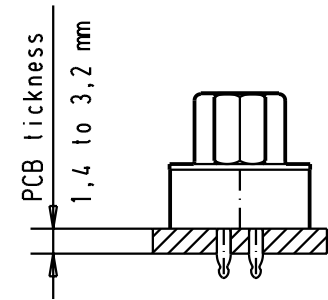
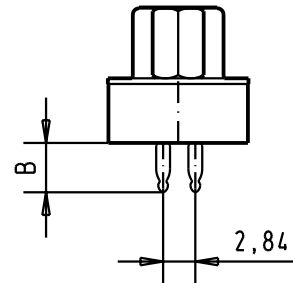
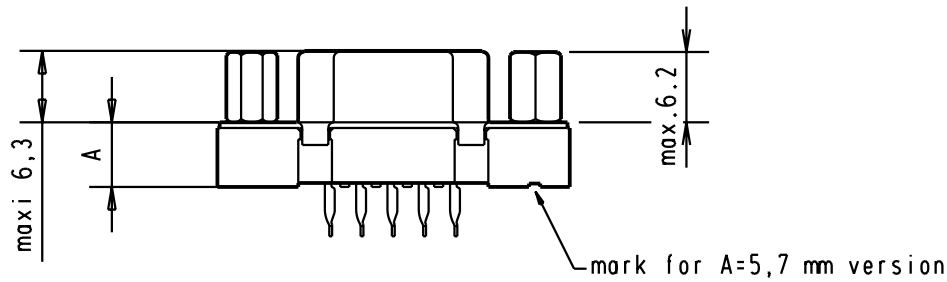
5

4

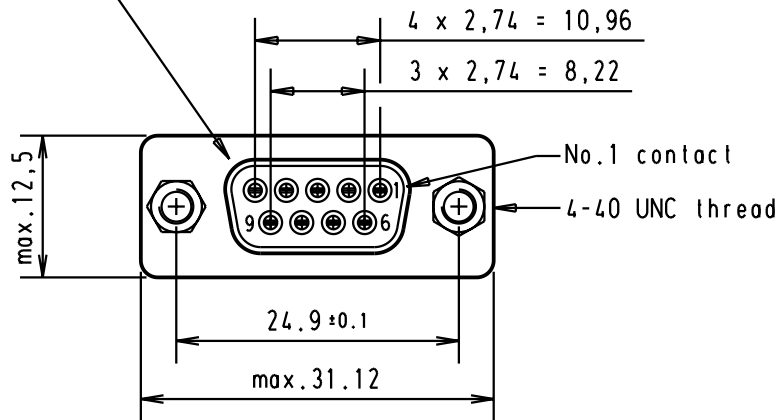
3

2

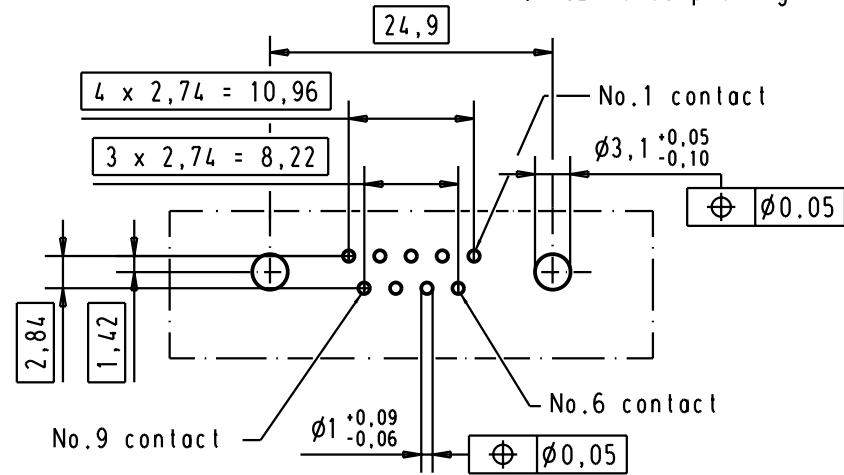
1



Mating face according to : MIL-C-24308 / DIN 41652 / CECC 75301-802

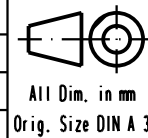


PCB layout hole component side (PCB holes plating : Tin)



09661147503	3	6	4.20							
09661146503	2	6	4.20							
09661145503	0.76 μm Au	6	4.20	31079	29-AUG-02	CV				
09661147507	3	5.7	4.35	27980	05/03/01	jfb				
09661146507	2	5.7	4.35	26574	14/02/00	jfb				
09661145507	0.76 μm Au	5.7	4.35	17910	27/12/95	jfb				
Part number	Performance level	A ± 0.2	B ± 0.2	Mod.	Dat.	Name				

	Dat.	Name
Detail.	27/12/95	jfb
Insp.		
Stand.		



D-Sub 09 poles straight female connector with press-in termination, version nut and screw lock.

Moßstab/
Scale
2,5:1

HARTING EURL
F-95972 Paris



TB 0966114x50x
Sub.

Blatt/ Page
4