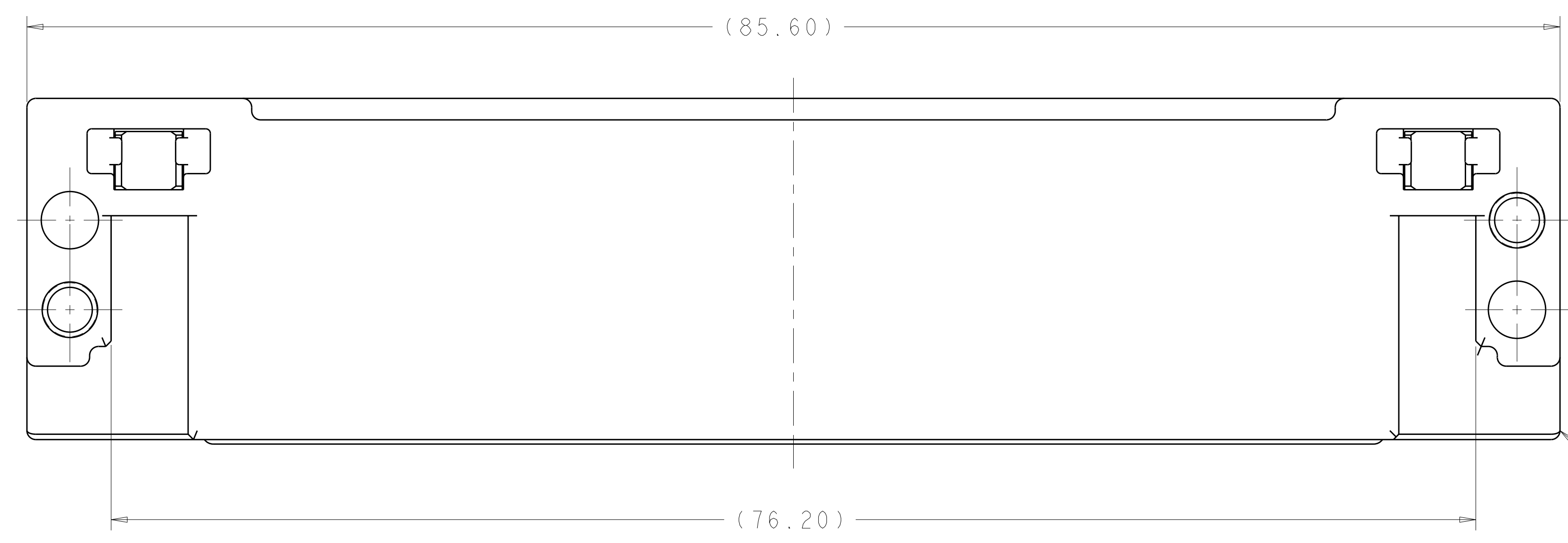
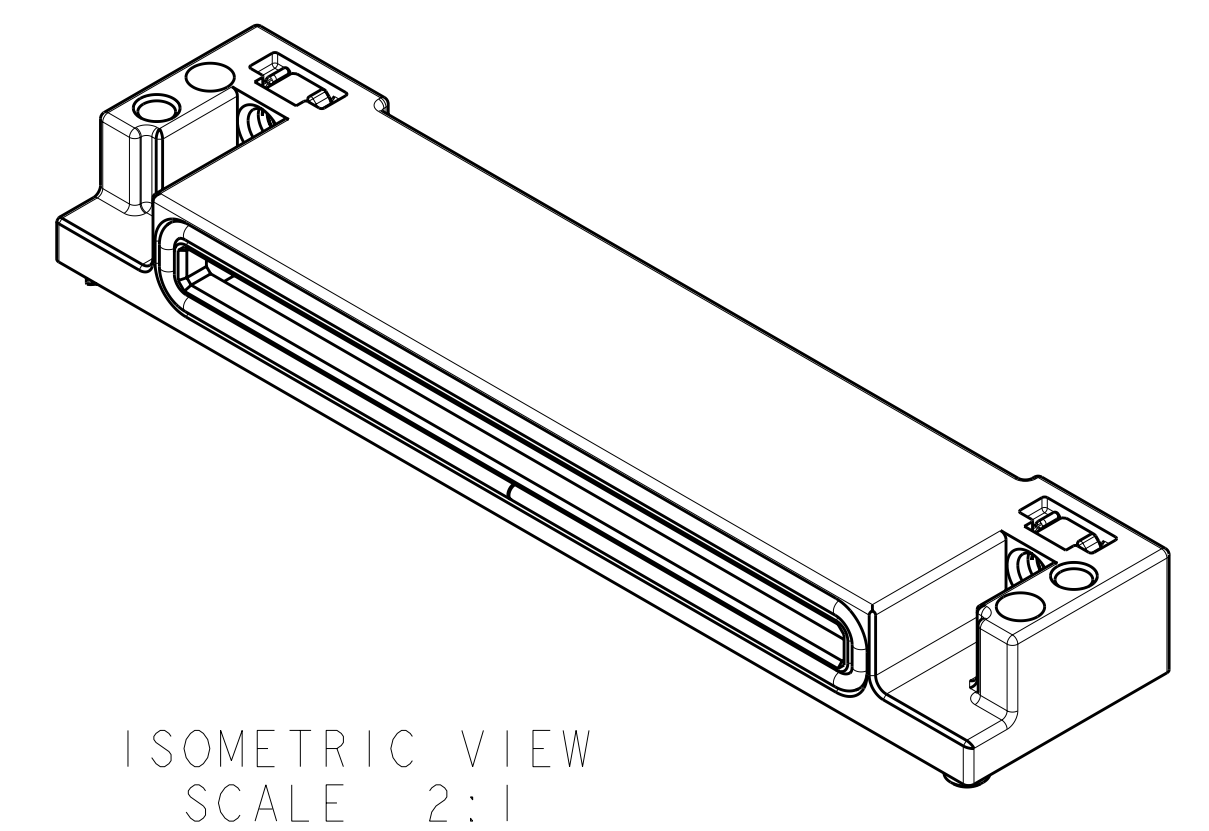
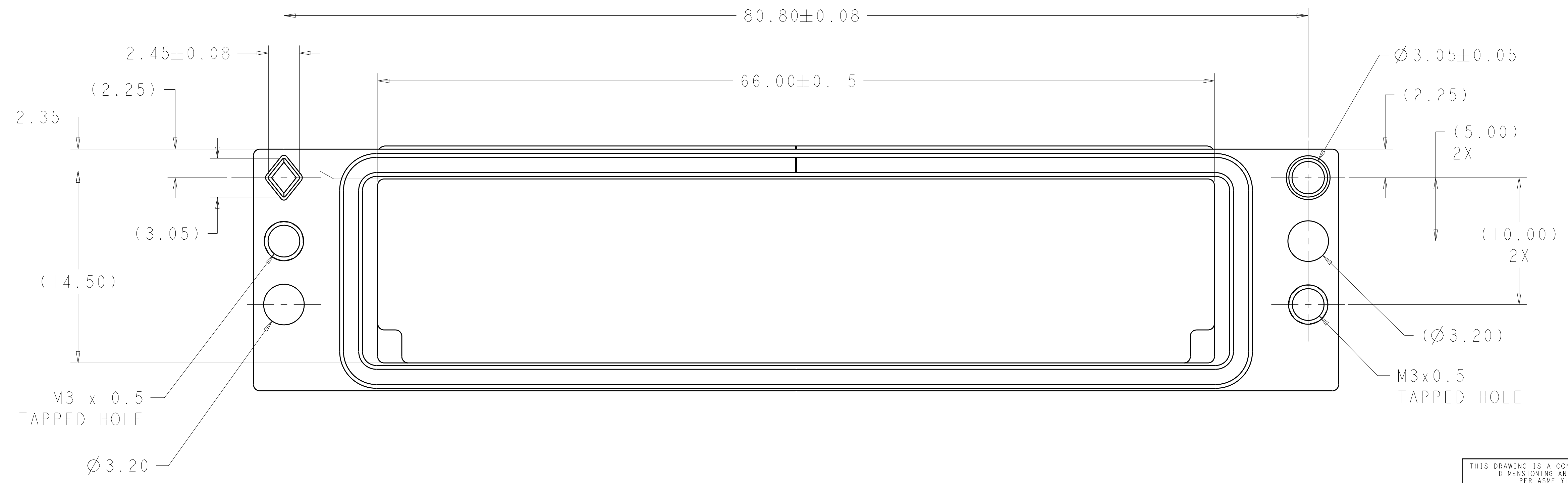
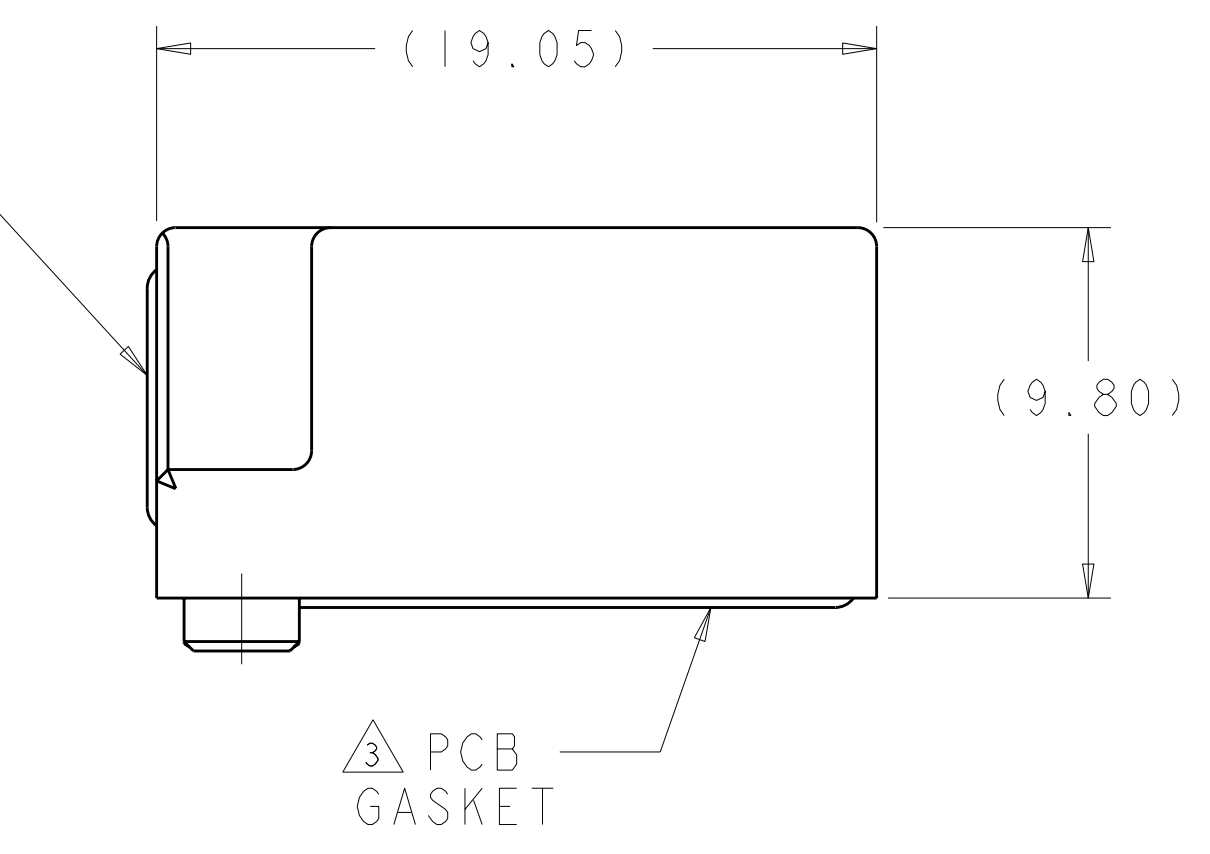
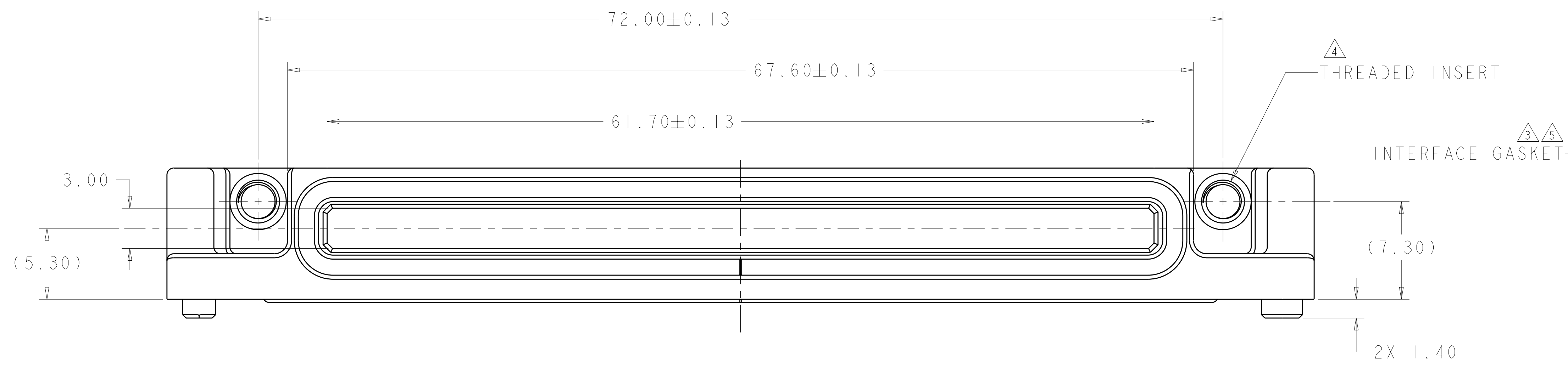


LOC	DIST	REV	DATE	BY	APPD
GP	00	A	14MAY2012	CJV	MRS
		REVISIONS			
		DESCRIPTION	DATE	DWN	APPD
		RELEASED PER ECO-12-006362	14MAY2012	CJV	MRS



- △ ZINC ALLOY PER ASTM-B-86, ALLOY AG40A.
- △ NICKEL PLATE PER QQ-N-290.
- △ CHO SEAL 1273 SILVER PLATED COPPER IN SILICONE.
- △ STAINLESS STEEL PER ASTM-A-582, TYPE 303.
- △ ONE-PART SILICONE ADHESIVE.



2057631-1
PART NUMBER

THIS DRAWING IS A CONTROLLED DOCUMENT. DIMENSIONING AND TOLERANCING PER ASME Y14.5M-2009.		DWN P. KERLIN 07NOV2008	TE Connectivity	
DIMENSIONS: mm		CHK E. BRIGHT 07NOV2008	NAME COVER ASSEMBLY, HOST CONNECTOR, 100 GIG, CFP	
TOLERANCES UNLESS OTHERWISE SPECIFIED:		APVD	PRODUCT SPEC 108-2399	
0 PLC ±		APPLICATION SPEC		
1 PLC ±0.10		SIZE CAGE CODE DRAWING NO RESTRICTED TO		
2 PLC ±		A100779C=2057631		
3 PLC ±		SCALE 5:1 SHEET 1 OF 1 REV A		
4 PLC ±		CUSTOMER DRAWING		
ANGLES				
FINISH				