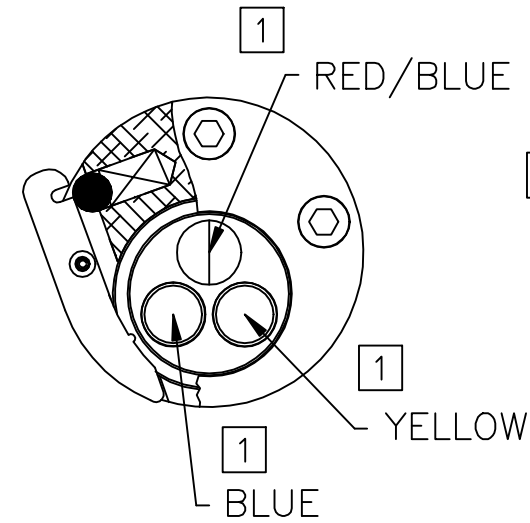
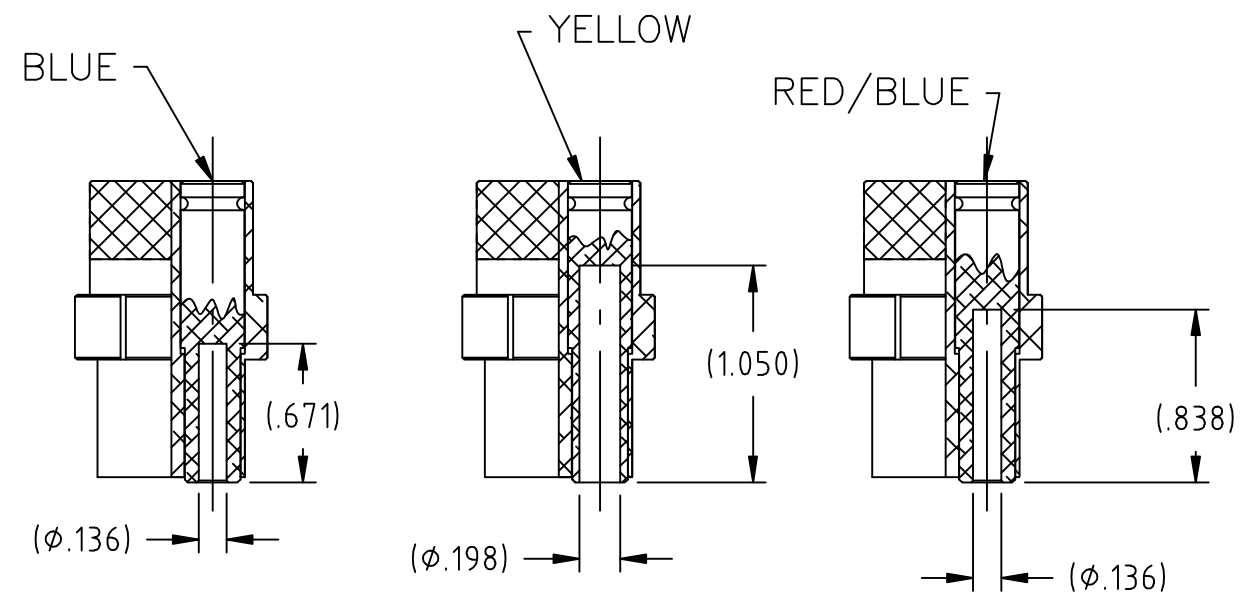
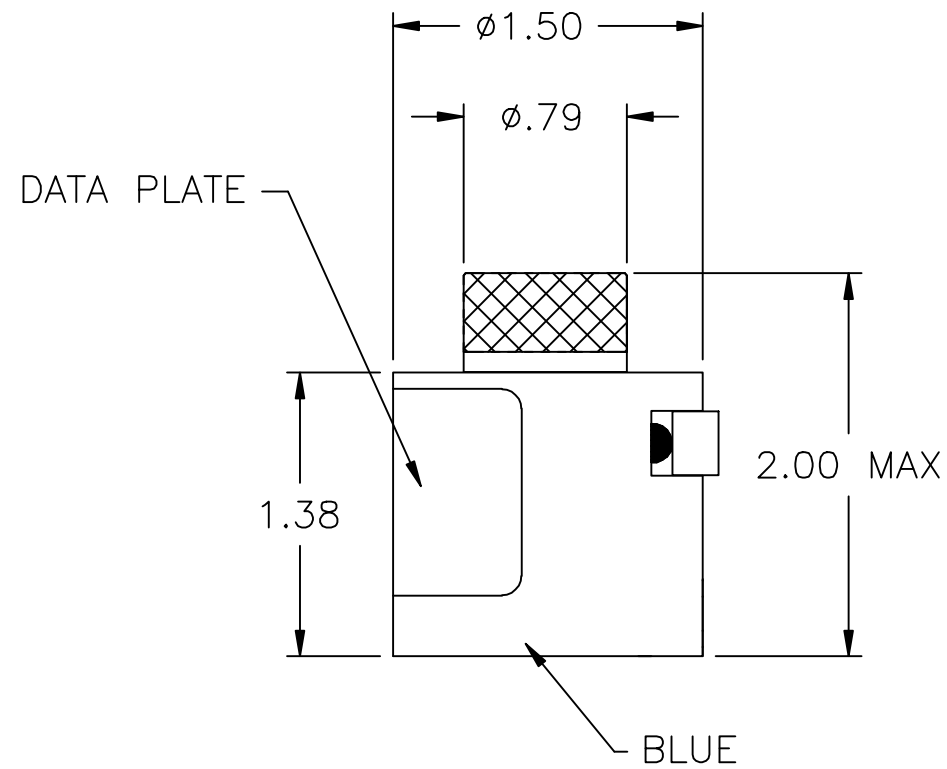


**UNCONTROLLED DOCUMENT
WILL NOT BE UPDATED**



1
RANDOM ORDER OF ROTATION IS
ACCEPTABLE




TYPICAL CONSTRUCTION

HOLE DEPTHS ARE MEASURED FROM
TOP OF POSITIONER INSERTS.

CONTACT DESIGNATION	COLOR CODE	SELECTOR ADJUSTMENT		
		0.75/1 mm ² AWG 20	1.5 mm ² AWG 16	2.5 mm ² AWG 12
030-8549-006	RED/BLUE	4		
030-8587-000			5	
030-8548-006				5
030-8587-006	BLUE		5	
030-8586-000	YELLOW			7

DATA PLATE

VG95236T25A0001
600324-1

A NEW RELEASE.					DYO	07-08-10	MMK	THESE DRAWINGS, SPECIFICATIONS OR OTHER DATA ARE AND REMAIN, THE PROPERTY OF ASTRO TOOL CORP. AND MUST BE RETURNED UPON REQUEST. THEY CONTAIN INFORMATION OWNED AND/OR DEVELOPED BY ASTRO AT ITS OWN PRIVATE EXPENSE AND MAY NOT BE USED, DUPLICATED OR DISCLOSED TO OTHERS, IN WHOLE OR IN PART FOR DESIGN, MANUFACTURE OR PROCUREMENT WITHOUT THE WRITTEN PERMISSION OF ASTRO TOOL CORP. EACH AND EVERY TIME.	SCALE:	UNLESS OTHERWISE SPECIFIED: DECIMALS: .XXX ± .005 .XX ± .010 .X ± .030 ANGLES: ± 1°	 21615 S.W. TUALATIN VALLEY HWY., BEAVERTON OR 97006	CAGE 58164
									DWN BY:			DYO
REV.	DESCRIPTION	BY	DATE	APR.	PART NO.		B	600324-1-ENV				

NOTES: 1. THIS IS AN AUTOCAD DRAWING DO NOT CHANGE MANUALLY.