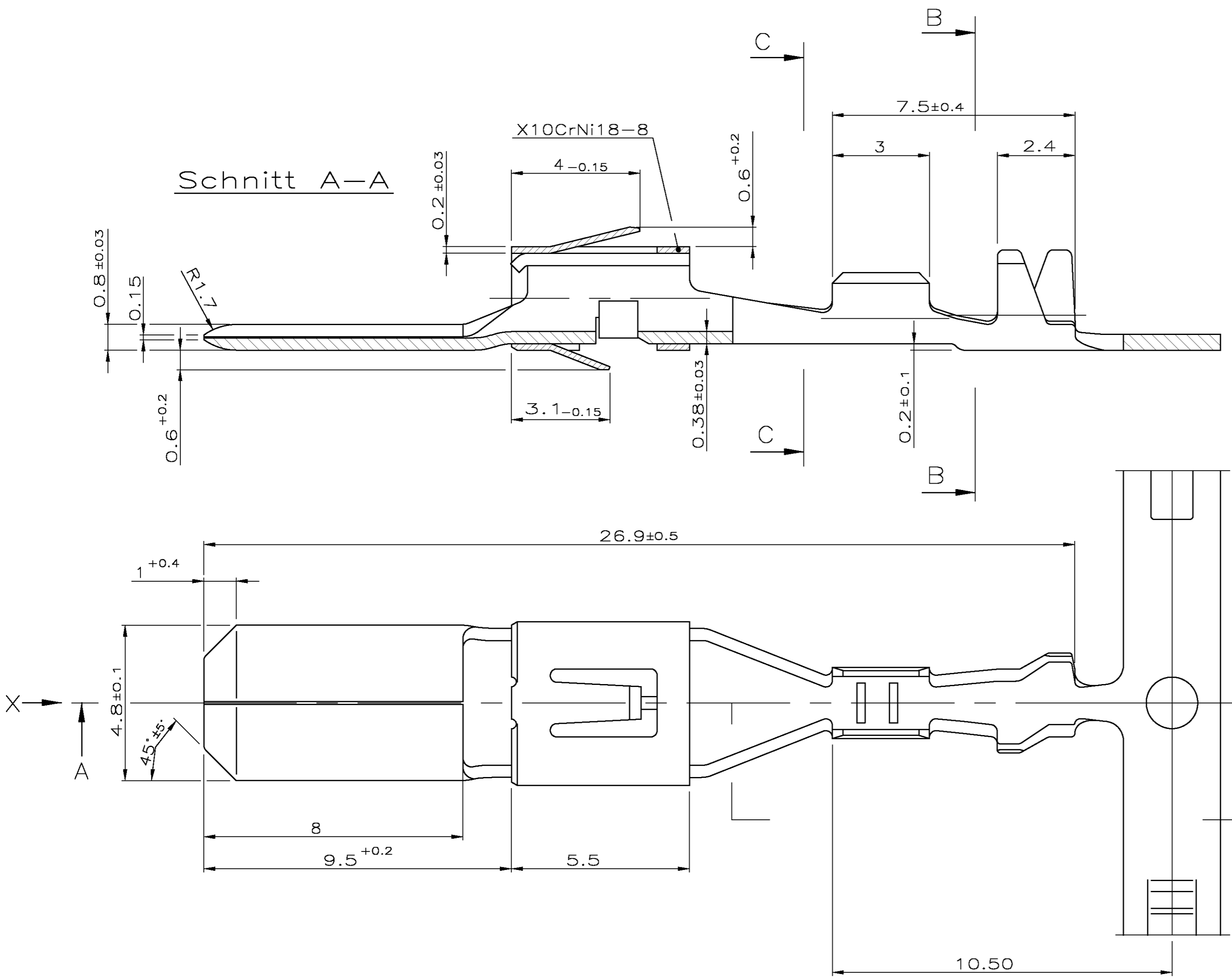


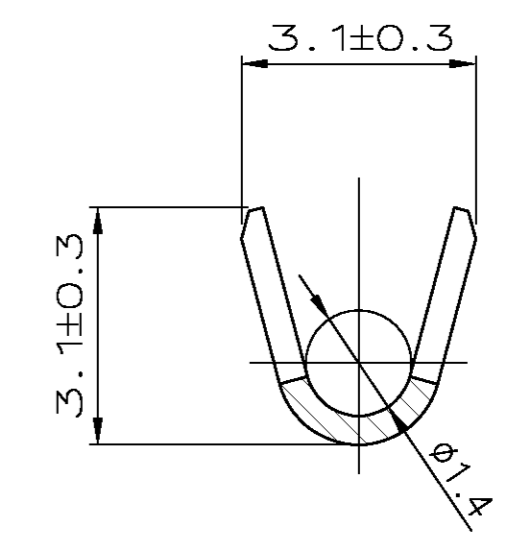
THIS DRAWING IS UNPUBLISHED. RELEASED FOR PUBLICATION
 © COPYRIGHT BY TYCO ELECTRONICS CORPORATION. ALL RIGHTS RESERVED.

WAS No. 87-9418-10
 WAR NR. 87-9418-10

LOC		DIST		REVISIONS			
P	LTR	DESCRIPTION	DATE	DWN	APVD		
B		Kontaktspitze abgerundet, Zeichnung ueberarbeitet	25.03.92	Derst.	—		
D1		Rev. Status adapted to Part Status	18MAY2004	Schae.	—		
D2		3 drawn serrations updated to 2 serrations as in specification.	05AUG2010	Kirsch.	Schus.		

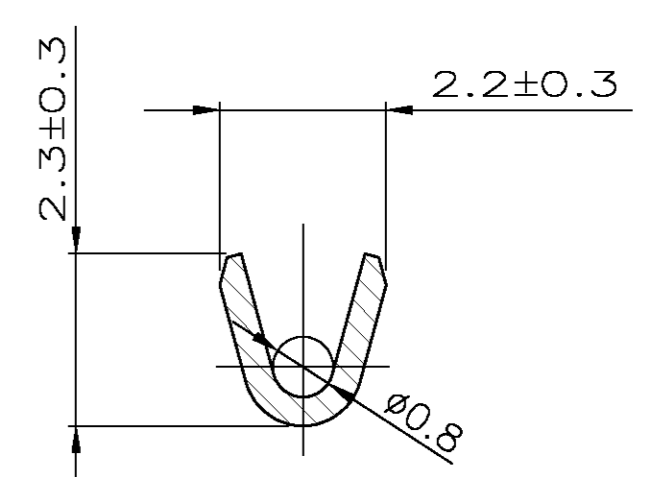


Schnitt B-B



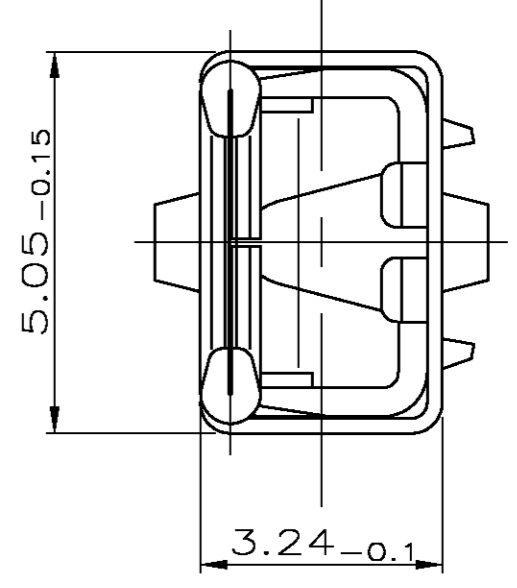
gestreckte Laenge Ref. 6.8

Schnitt C-C



gestreckte Laenge Ref. 4.7

ANSICHT X



Drahtgroessenbereich: 0.2-0.5mm²
 Isolations ø: 1.1-1.6 (FLR)

TE-Order-No. Strip	VW-No. Strip	TE-Order-No. Loose Piece	VW-No. Loose Piece	Material	Surface Colour
963824-2	-	963825-2	-	CuFe2	pre tin
963824-1	-	963825-1	-	CuSn4	pre tin

THIS DRAWING IS A CONTROLLED DOCUMENT.

DWN	N.KEIL	8.08.90
CHK	S.Glaser	19-MAY-04
APVD	M.Bleicher	05AUG2010

Tyco Electronics Tyco Electronics AMP GmbH
 64625 Bensheim (Germany)

NAME: 4.8 MM TAB WITH DOUBLE LOCKING LANCE

SIZE	CAGE CODE	DRAWING NO	RESTRICTED TO
A2	00779	C=963824	-

WEIGHT: -
 CUSTOMER DRAWING
 SCALE: 10:1 SHEET: 1 OF 1 REV: D2