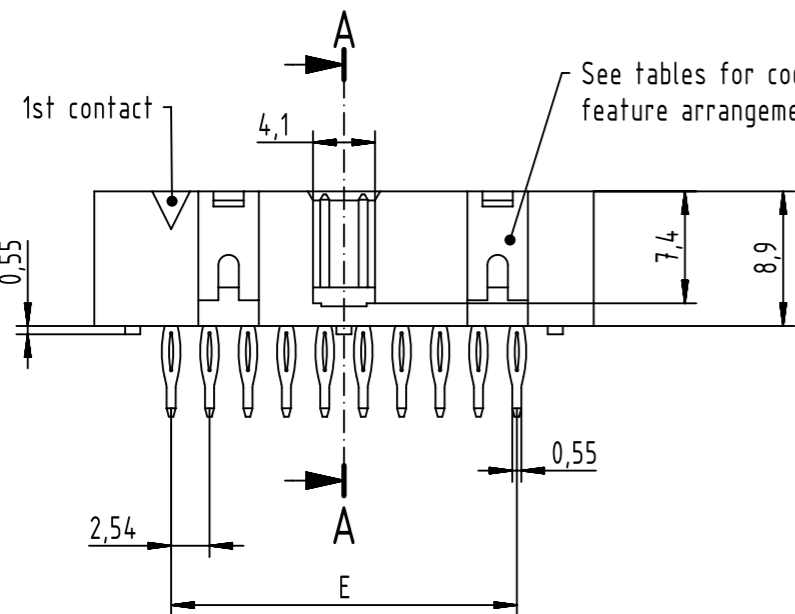
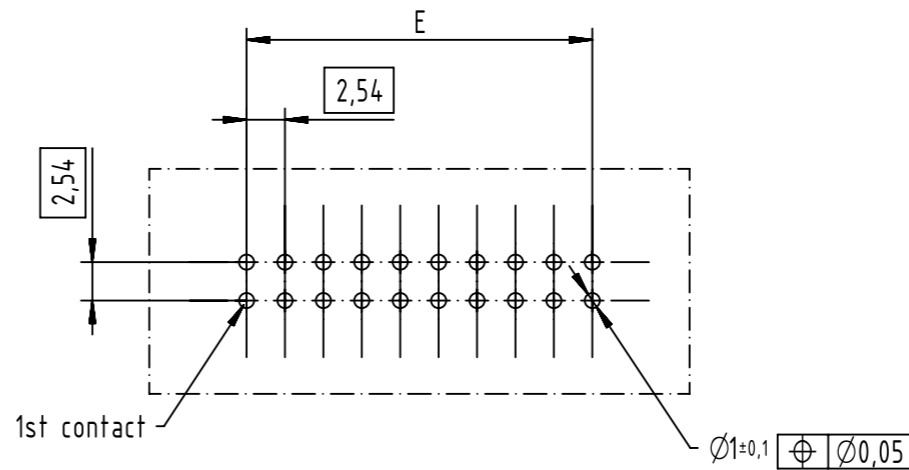
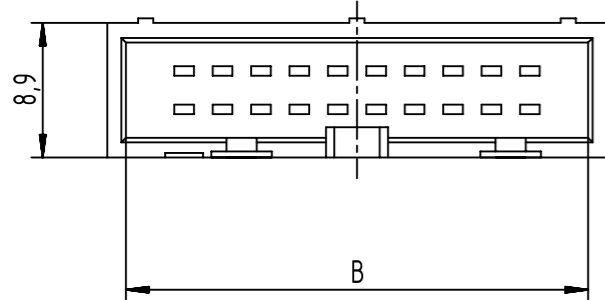
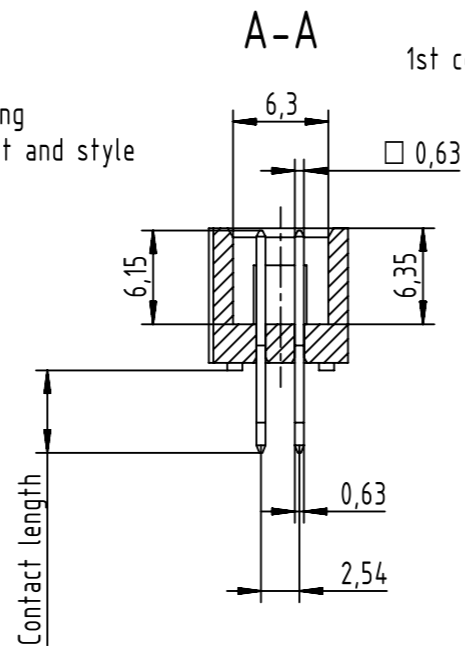


PC-Board layout
view component side



See tables for coding
feature arrangement and style




Coding style table

	Style A: For connector 6 poles
	Style B: For connectors 10 and 14 poles
	Style C: For connectors from 16 to 64 poles

Find further technical information on drawing DS 09185000001

	All rights reserved	Created by DOUGE	Inspected by BAGDIKIAN	Standardisation HOFFMANN	Date 2013-11-04	State Final Release	
	Department EC PD - FR	Title SEK 18 male straight low profile press-in pins				Doc-Key / ECM-Nr. 100541600/UGD/001/C 50000066836	
HARTING Electronics GmbH D-32339 Espelkamp		Type TB	Number 09185XXX329			Rev. C	Page 1/2

Performance Level								
	PL3 : 50 mating Cycles No Gas Test	PL2 : 250 mating Cycles 4 days Gas Test	S4 : 0,76µm Au or equivalent PdNi	Dimensions (mm)				
Nb of Contacts	Part Number	Part Number	Part Number	Insulator Color	Contact Lenght ±0,3(mm)	A Max	B	E
06	0918 506 7329	0918 506 6329	0918 506 5329	Grey	5,5mm	15,4	12,78	2,54 x 2 = 5,08
10	0918 510 7329	0918 510 6329	0918 510 5329			20,5	17,86	2,54 x 4 = 10,16
14	0918 514 7329	0918 514 6329	0918 514 5329			25,6	22,94	2,54 x 6 = 15,24
16	0918 516 7329	0918 516 6329	0918 516 5329			28,1	25,48	2,54 x 7 = 17,78
20	0918 520 7329	0918 520 6329	0918 520 5329			33,2	30,56	2,54 x 9 = 22,86
26	0918 526 7329	0918 526 6329	0918 526 5329			40,8	38,18	2,54 x 12 = 30,48
30	0918 530 7329	0918 530 6329	0918 530 5329			45,9	43,26	2,54 x 14 = 35,56
34	0918 534 7329	0918 534 6329	0918 534 5329			51,0	48,34	2,54 x 16 = 40,64
40	0918 540 7329	0918 540 6329	0918 540 5329			58,6	55,96	2,54 x 19 = 48,26
50	0918 550 7329	0918 550 6329	0918 550 5329			71,5	68,66	2,54 x 24 = 60,96
60	0918 560 7329	0918 560 6329	0918 560 5329			84,2	81,36	2,54 x 29 = 73,66
64	0918 564 7329	0918 564 6329	0918 564 5329			89,3	86,44	2,54 x 31 = 78,74

	All rights reserved	Created by DOUGE	Inspected by BAGDIKIAN	Standardisation HOFFMANN	Date 2013-11-04	State Final Release	Ref. Sub.
	Department EC PD - FR	Title SEK 18 male straight low profile press-in pins				Doc-Key / ECM-Nr. 100541600/UGD/001/C 50000066836	
HARTING Electronics GmbH D-32339 Espelkamp		Type TB	Number 09185XXX329		Rev. C	Page 2/2	