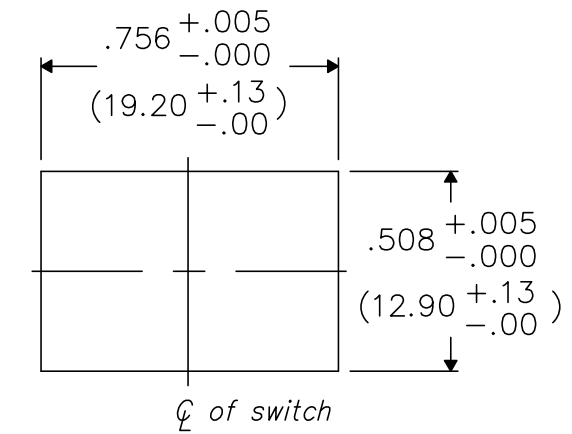
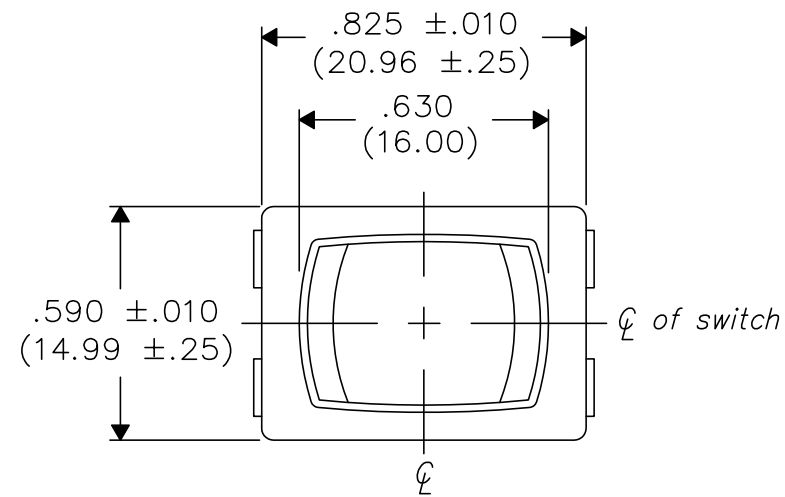
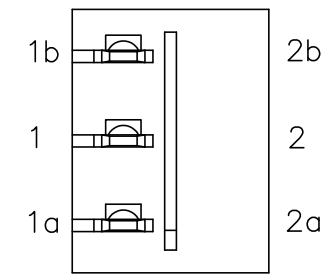


DIMENSIONS IN INCHES (MILLIMETERS)
DO NOT SCALE DRAWING

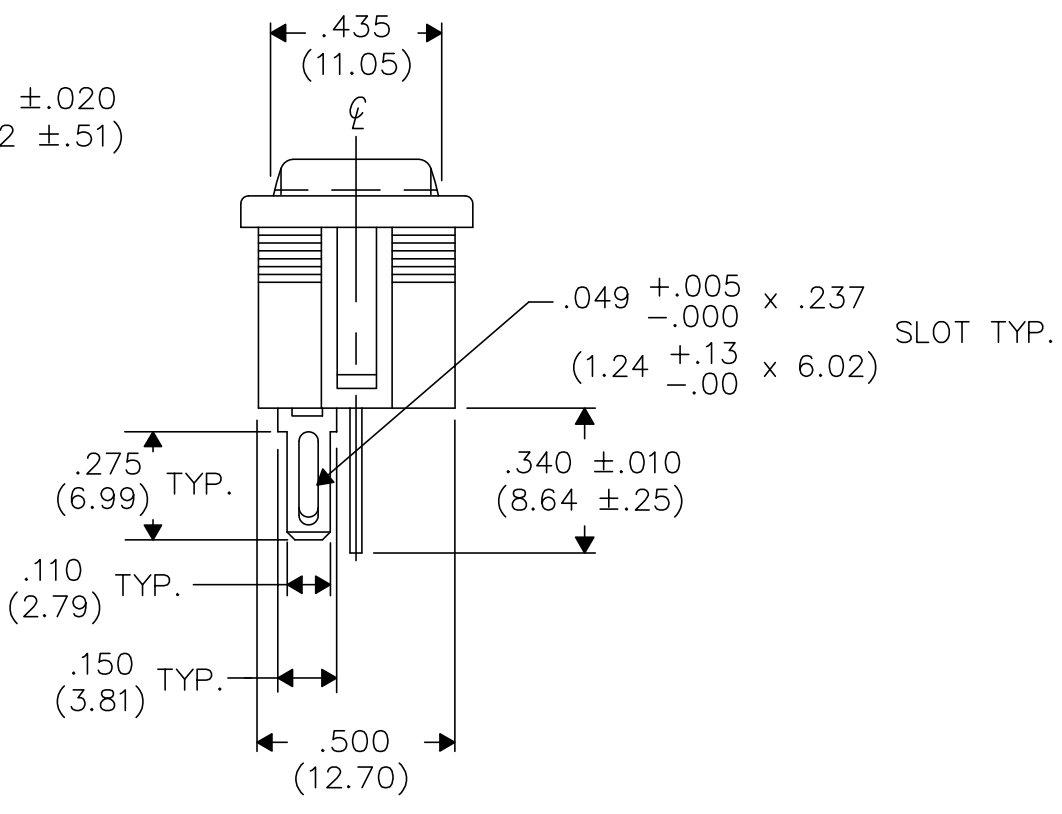
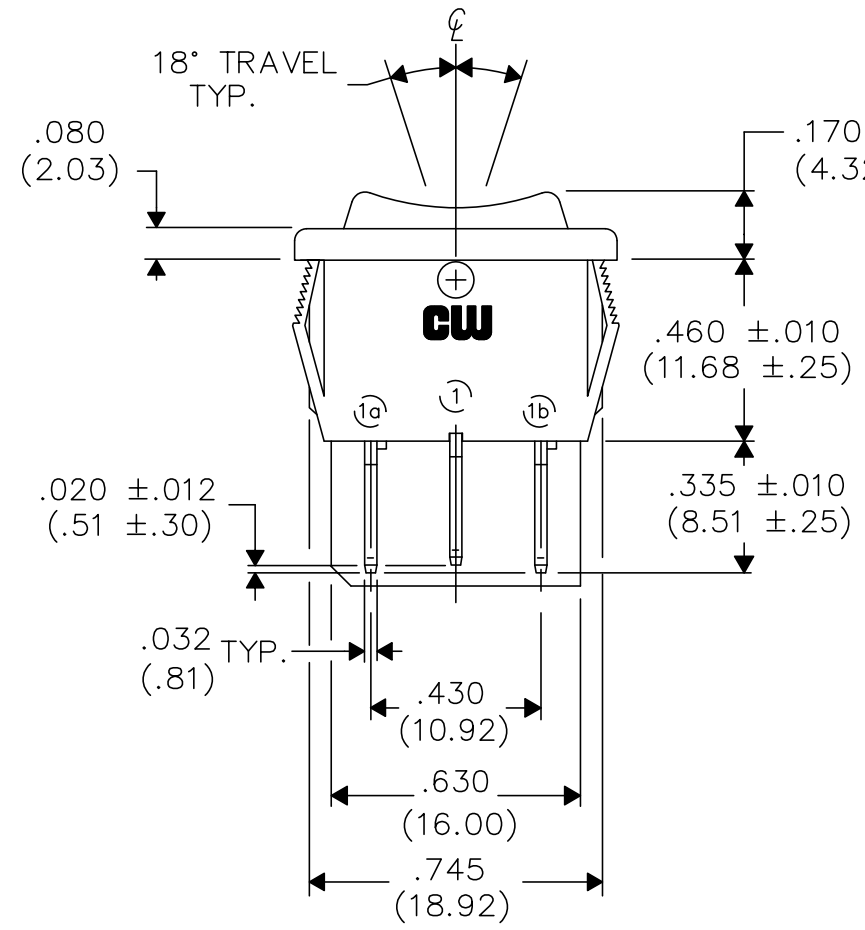
Dwg. No.
GRS-4013C-0011



PANEL PIERCING



BOTTOM VIEW



E
D
C
B
A

1 2 3 4 5 6 7 8 9 10

| | | | |
|---------|-----------|---------------|--|
| FORM-B4 | REVISIONS | 0 | |
| | | RELEASED. | |
| | | DGW 6-11-2002 | |
| | | JUN 13, 2002 | |

| | |
|---------------|---|
| PDF File Made | CW INDUSTRIES |
| | Southampton, Pa. 18966 |
| | TOLERANCES UNLESS OTHERWISE SPECIFIED |
| | 2 Place Decimal ±.010 METRIC 3 Place Decimal ±.005 1 Place Dec. ±.25mm Angles ±1° 2 Place Dec. ±.13mm |
| Made for: | CW IND. |
| Drawn by: | DGW 6-11-2002 |
| Checked by: | GG 6-13-2002 |
| Approval: | BF 6-13-2002 |

| | |
|-----------|--|
| Title: | ROCKER ASSEMBLY ASSEMBLY S.P.- CENTER OFF (MOM.- OFF- MOM.) |
| Division: | SWITCH |
| Dwg. No. | GRS-4013C-0011 |