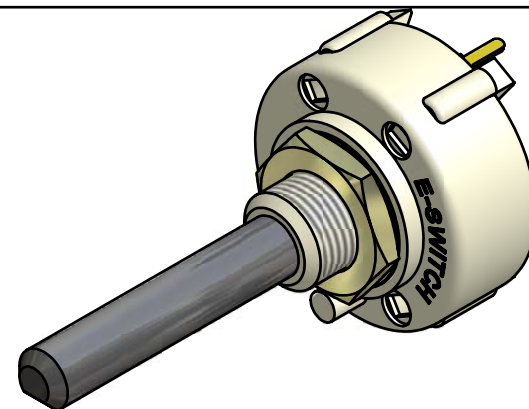
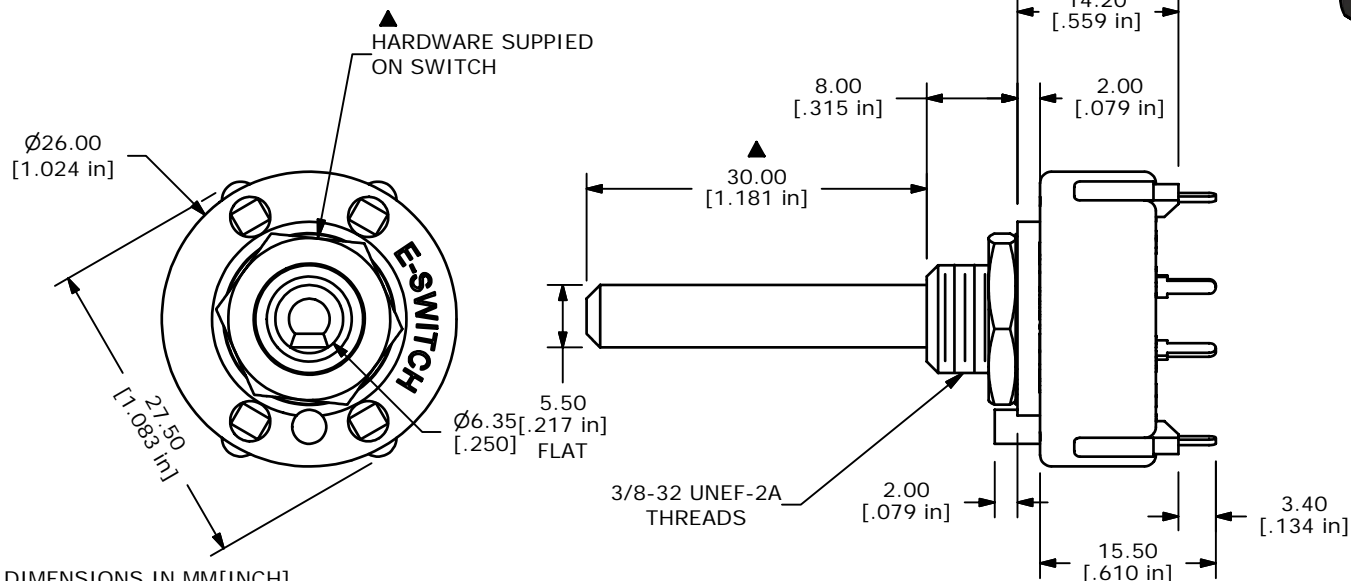


CONTACT CONFIGURATION  
TIMING (BBM) NON-SHORTING



ISOMETRIC



- NOTE:
1. ALL DIMENSIONS IN MM[INCH].
  2. GENERAL TOLERANCE: X.X=±0.4  
X.XX=±0.25
  3. TERM. NOS. FOR REFERANCE ONLY.
  4. CONTACT MATERIAL: SILVER
  5. CONTACT RATING: 150MA @250VAC/DC  
350MA @110VAC/DC
  6. OPERATING FORCE 425± 100CM/STANDARD
  7. OPERATING TEMP: -30°C TO 85°C
  - ▲ 8. CIRCUIT SP: 3 POSITION 90° INDEX.
  9. DIELECTRIC STRENGTH: 1000V RMS MIN.@ SEA LEVEL.
  - ▲ 10. HARDWARE SUPPLIED ON SWITCH:  
LOCKWASHER, HEXNUT, STOP RING
  11. ▲ DENOTES CRITICAL PARAMETER.

**E-SWITCH®**

A	14931	RELEASED FOR PRODUCTION	5/20/05	JB
REV	PCR NO	DESCRIPTION	DATE	BY

TITLE KC56A30.001NPS				
SCALE	DATE	DR	DWG	REV
1.5:1	5/20/2005	JB	G510597	A

THE INFORMATION CONTAINED IN THIS DOCUMENT IS PROPRIETARY TO E-SWITCH AND IS NOT TO BE COPIED OR TRANSFERRED