
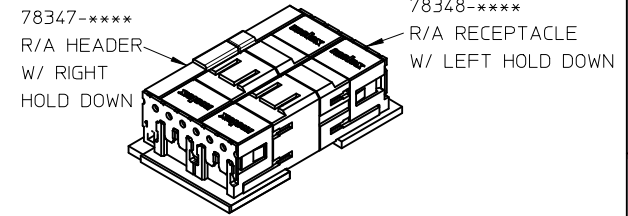
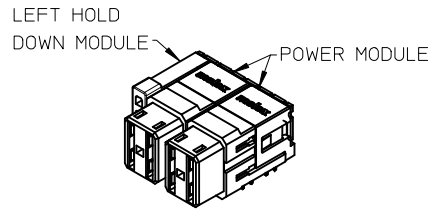
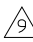


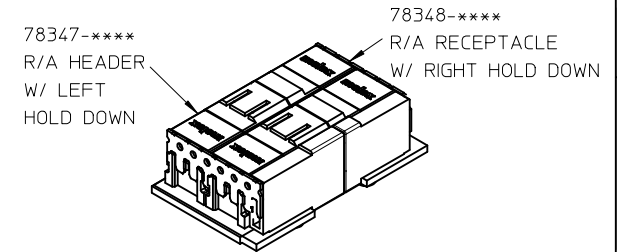
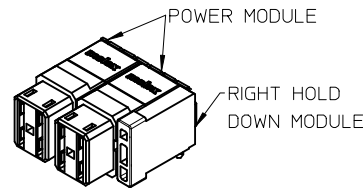
LEFT HOLD DOWN OPTIONS

PART NUMBER	NUMBER OF POWER MODULES	*DIM A*	PLATING OPTION	LEFT HOLD DOWN MODULE LOCATION 
78348-1001	1X	15.00	TIN	REFER TO SHEET 2 FOR DETAILS
78348-1011	2X	26.40		



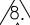
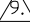



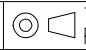
RIGHT HOLD DOWN OPTIONS

PART NUMBER	NUMBER OF POWER MODULES	*DIM A*	PLATING OPTION	RIGHT HOLD DOWN MODULE LOCATION 
78348-2001	1X	15.00	TIN	REFER TO SHEET 3 FOR DETAILS
78348-2011	2X	26.40		

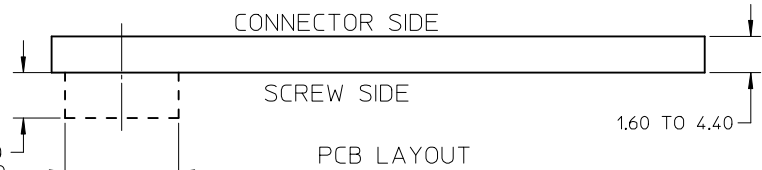
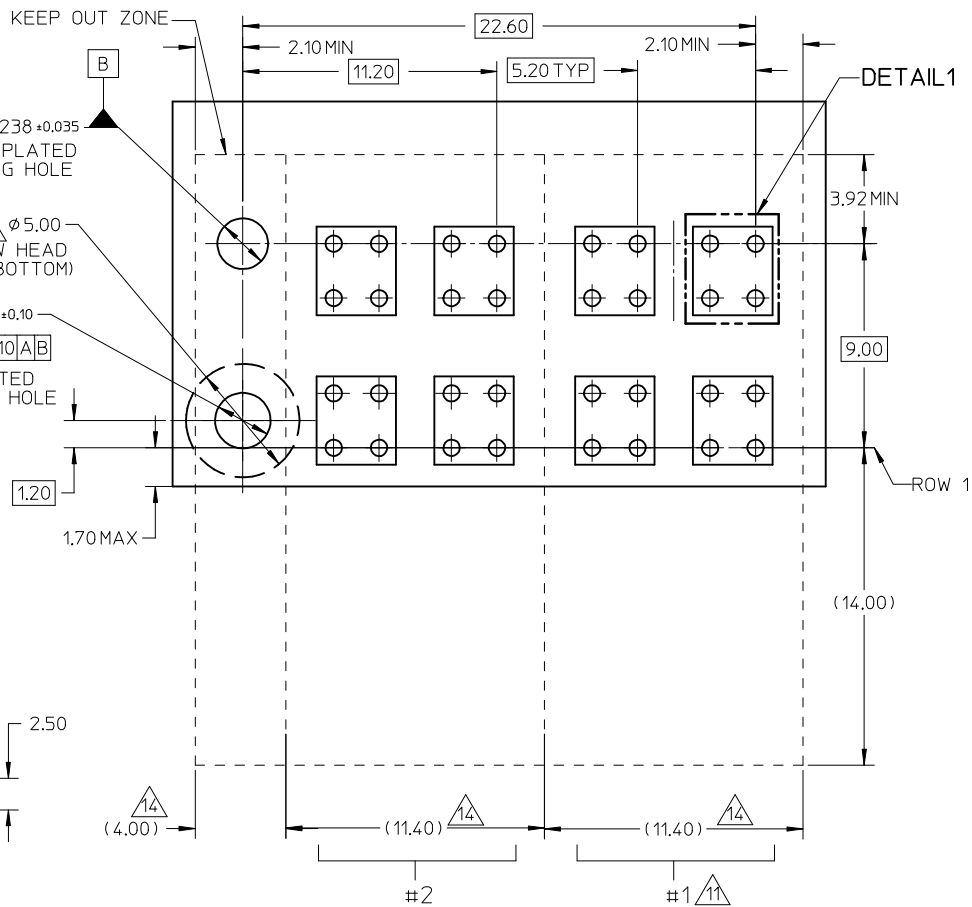
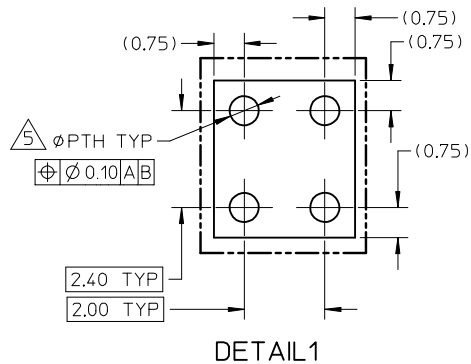
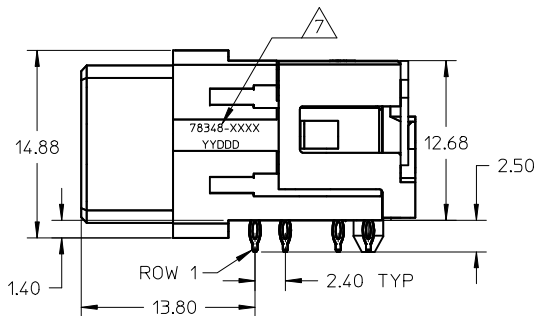
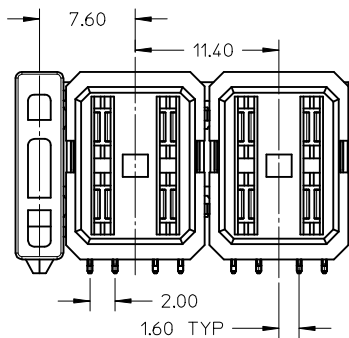
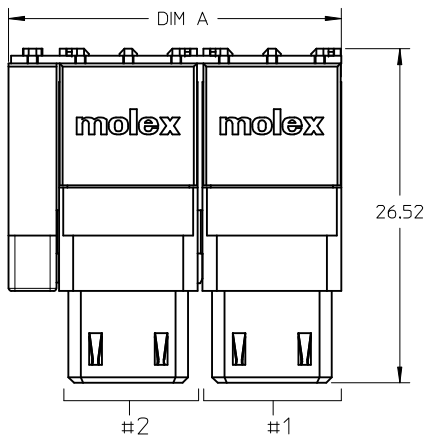


NOTES:

- MATERIALS:
HOUSING - HIGH TEMP. THERMOPLASTIC, GLASS FILLED, UL94-V0,COLOR:BLACK.
POWER PIN - COPPER ALLOY.
- FINISHES:
POWER CONTACTS
0.76µm MINIMUM GOLD AT CONTACT AREA AND
2.54µm MINIMUM TIN AT SOLDER TAIL AREA
OVER 1.27µm MINIMUM NICKEL UNDERPLATE.
- PRODUCT SPECIFICATION: PS-78213-001.
- PACKAGING SPECIFICATION:
PK-78348-001 (1X MODULE WITH HOLD DOWN MODULE)
PK-78348-002 (2X MODULE WITH HOLD DOWN MODULE)
-  REFER TO MOLEX PRODUCT SPECIFICATION PS-78213-001 FOR PLATED THROUGH HOLE SPECIFICATIONS AND TORQUE FORCE.
- MATES WITH 78347-**** or 78399
-  PART NUMBER AND YEAR-DAY CODE. CAN BE AT THE OPPOSITE SIDE.
-  ADD 11.4mm FOR EACH ADDITIONAL POWER MODULE.
-  THE DETAILS FOR LEFT & RIGHT HOLD DOWN OPTION ARE SHOWN IN SHEET 2 AND SHEET 3 RESPECTIVELY.
-  CONNECTORS ARE PACKED IN TRAY
- FIRST POWER MODULE (#1) STARTS FROM THE RIGHT.
- REFER TO SD-78247-001 FOR DETAILS OF THE POWER MODULE .
- ALL PARTS ARE SHIPPED WITH A 2-32 TYPE AB SELF-TAPPING SCREW PART NUMBER 73726-0005.
- COMPONENT KEEP AWAY ZONE FROM CONNECTOR

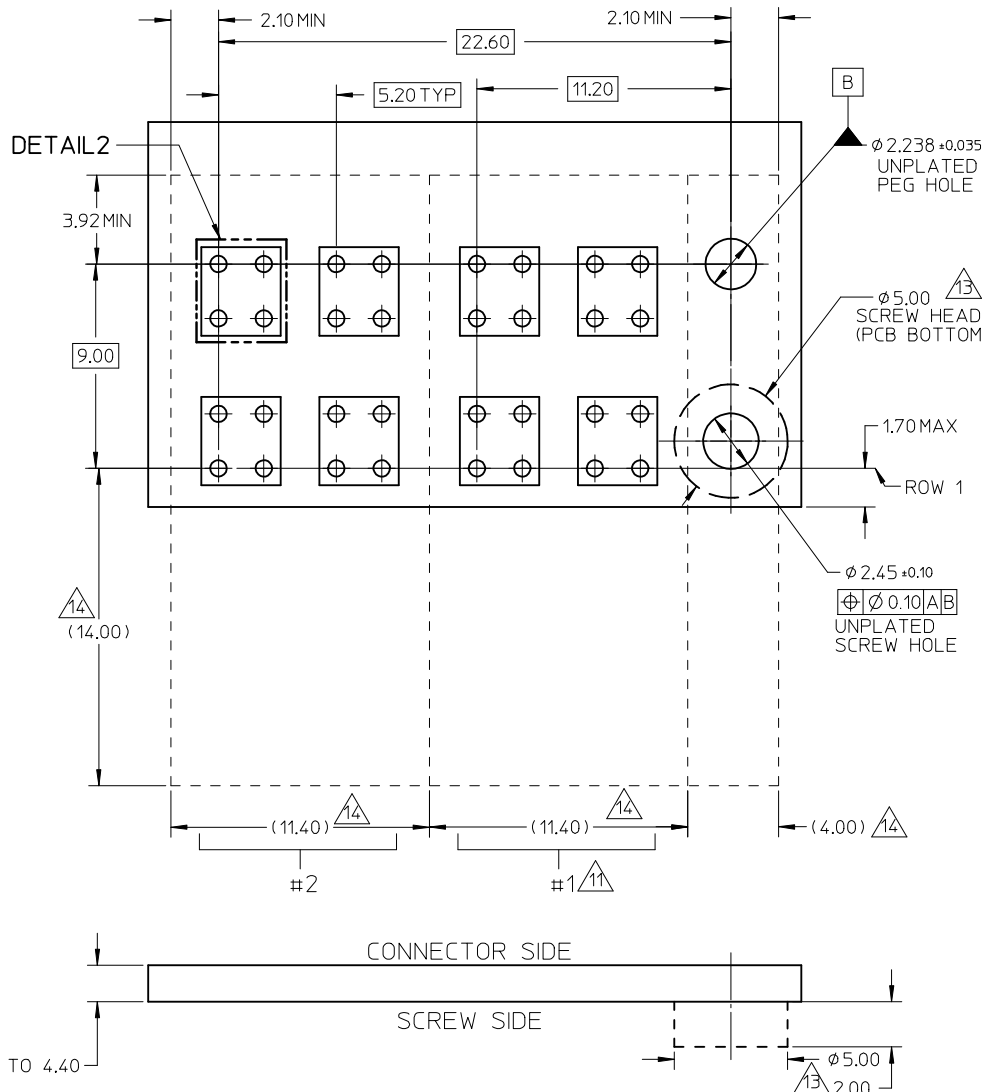
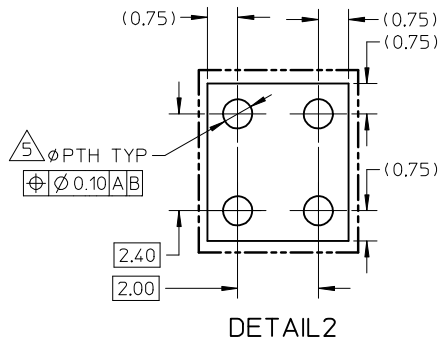
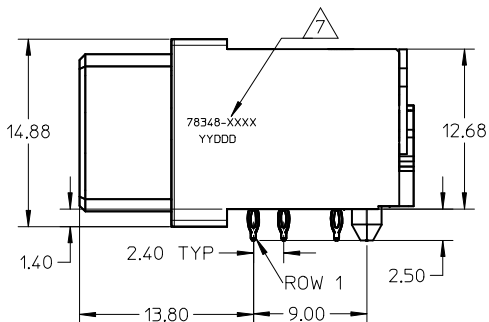
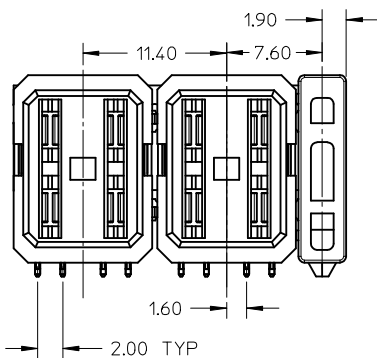
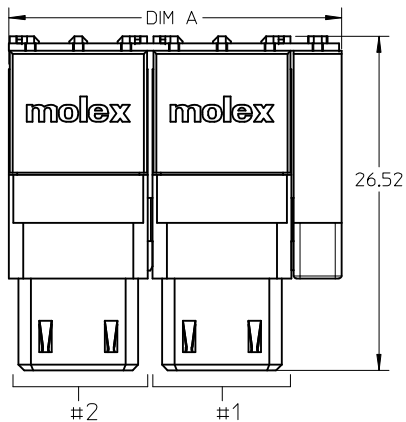
UPDATE CKT NOS EC NO: S2014-0872 DRWN: SHONG 2014/03/13 CHKD: HICGHH 2015/04/07 APPR: SHLENI 2015/04/07	QUALITY SYMBOLS	GENERAL TOLERANCES (UNLESS SPECIFIED)	DIMENSION STYLE	SCALE	DESIGN UNITS	THIRD ANGLE PROJECTION
	$F_A=0$	mm INCH	MM ONLY	NTS	METRIC	
	$F_G=0$	4 PLACES ± --- ± ---	DRAWN BY DATE			TITLE IMPACT POWER, 3 PAIR R/A RECEPT W/HOLD DOWN PRESS-FIT
	$F_P=0$	3 PLACES ± --- ± ---	KJKOH 2008/09/25			
	2 PLACES ± 0.25 ± ---	CHECKED BY DATE			MOLEX INCORPORATED SD-78348-001	
	1 PLACE ± --- ± ---	LNG 2008/10/29				
	ANGULAR ± 3 °	APPROVED BY DATE				
		SHONG 2011/02/08				
		MATERIAL NO.				
		SEE TABLE				
		DRAFT WHERE APPLICABLE MUST REMAIN WITHIN DIMENSIONS				
			SIZE			
			A3			
			THIS DRAWING CONTAINS INFORMATION THAT IS PROPRIETARY TO MOLEX INCORPORATED AND SHOULD NOT BE USED WITHOUT WRITTEN PERMISSION			

LEFT HOLD DOWN OPTION

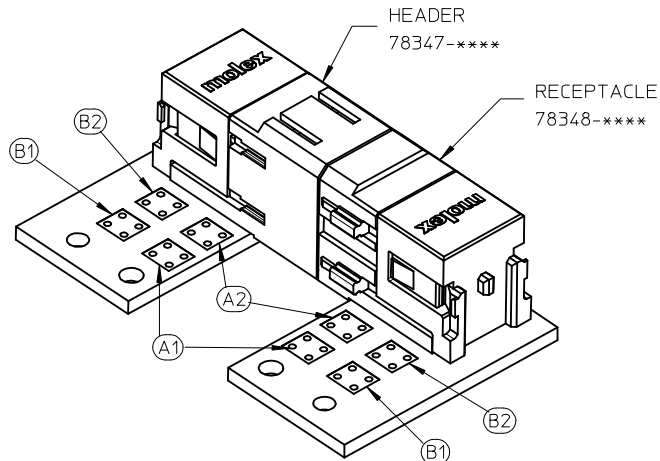


SEE SHEET 1 EC NO: S2014-0872 DRWN: SHONG CHKD: HICGOH APPR: SHLENI	REV	B4	DESCRIPTION	QUALITY SYMBOLS	GENERAL TOLERANCES (UNLESS SPECIFIED)	DIMENSION STYLE	SCALE	DESIGN UNITS	THIRD ANGLE PROJECTION
				$F_A=0$ $F_C=0$ $F_P=0$	mm INCH	MM ONLY	NTS	METRIC	
					4 PLACES ± --- ± --- 3 PLACES ± --- ± --- 2 PLACES ± 0.25 ± --- 1 PLACE ± --- ± ---	DRAWN BY DATE KJKOH 2008/09/25	TITLE	IMPACT POWER, 3 PAIR R/A RECEPT W/HOLD DOWN PRESS-FIT	
					ANGULAR ± 3 °	CHECKED BY DATE LNG 2008/10/29	APPROVED BY DATE SHONG 2011/02/08	MOLEX INCORPORATED	
					DRAFT WHERE APPLICABLE MUST REMAIN WITHIN DIMENSIONS	MATERIAL NO.	DOCUMENT NO.	SD-78348-001	
						SIZE	THIS DRAWING CONTAINS INFORMATION THAT IS PROPRIETARY TO MOLEX INCORPORATED AND SHOULD NOT BE USED WITHOUT WRITTEN PERMISSION		
						A3	SHEET NO. 2 OF 4		

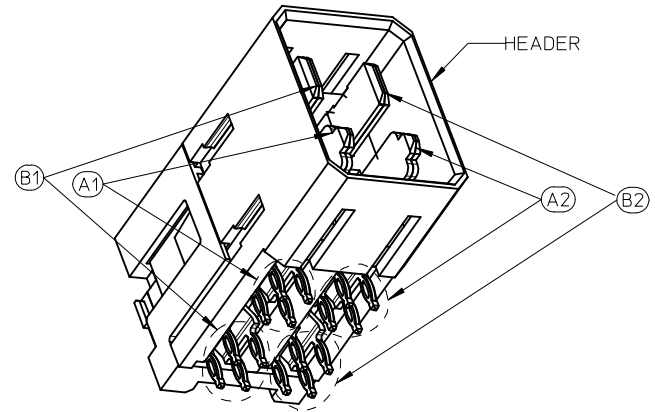
RIGHT HOLD DOWN OPTION



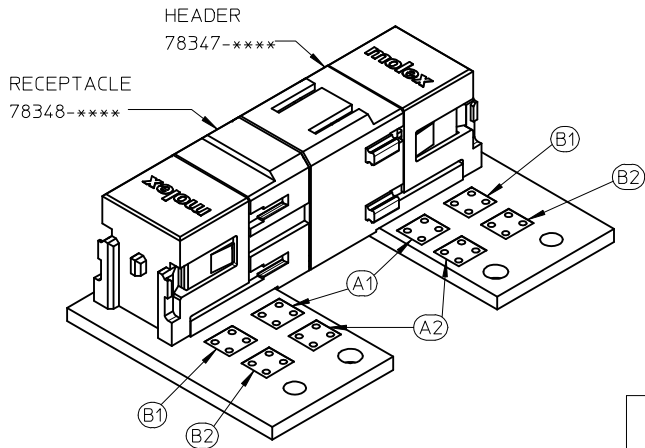
SEE SHEET 1 EC NO: S2014-0872 DRWN: SHONG CHKD: HCGOH APPR: SILENI	2014/03/13 2015/04/07 2015/04/07	DESCRIPTION QUALITY SYMBOLS $F_A=0$ $F_C=0$ $F_P=0$	GENERAL TOLERANCES (UNLESS SPECIFIED)		DIMENSION STYLE MM ONLY		SCALE NTS	DESIGN UNITS METRIC	THIRD ANGLE PROJECTION			
				mm	INCH	DRAWN BY KJKOH	DATE 2008/09/25	TITLE IMPACT POWER, 3 PAIR R/A RECEPT W/HOLD DOWN PRESS-FIT				
			4 PLACES	± ---	± ---	CHECKED BY LNG	DATE 2008/10/29	MOLEX INCORPORATED				
			3 PLACES	± ---	± ---	APPROVED BY SHONG	DATE 2011/02/08	DOCUMENT NO. SD-78348-001				
2 PLACES	± 0.25	± ---	ANGULAR ± 3 °		MATERIAL NO.		SHEET NO.		3 OF 4			
1 PLACE	± ---	± ---	DRAFT WHERE APPLICABLE MUST REMAIN WITHIN DIMENSIONS		SEE TABLE		SIZE A3		THIS DRAWING CONTAINS INFORMATION THAT IS PROPRIETARY TO MOLEX INCORPORATED AND SHOULD NOT BE USED WITHOUT WRITTEN PERMISSION			



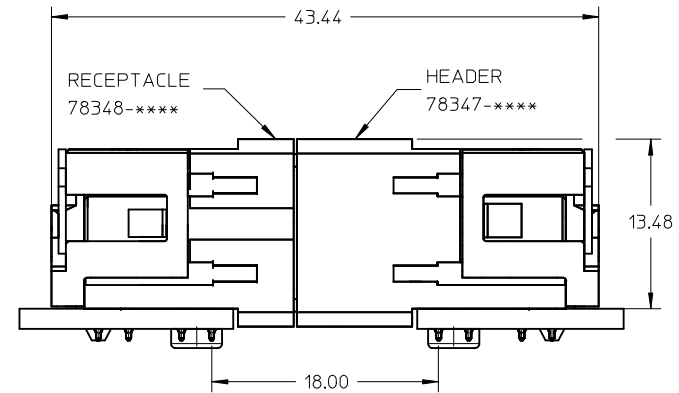
SERIES NUMBER 78348; RIGHT HOLD DOWN:
1 POWER MODULE AND HOLD DOWN REMOVED TO
ILLUSTRATE CIRCUIT PATH OF MATED SYSTEM



PIN NUMBER ASSIGNMENT BASED ON HEADER SIDE:
A1, B1 ON THE LEFT
A2, B2 ON THE RIGHT



SERIES HOLD DOWN 78348; LEFT HOLD DOWN:
1 POWER MODULE AND HOLD DOWN REMOVED TO
ILLUSTRATE CIRCUIT PATH OF MATED SYSTEM



MATED SYSTEM OF 78347 & 78348

SEE SHEET 1 EC NO: S2014-0872 DRWN: SHONG CHKD: HICGOH APPR: SILENI 2014/03/13 2015/04/07 2015/04/07	DESCRIPTION B4	QUALITY SYMBOLS	GENERAL TOLERANCES (UNLESS SPECIFIED)		DIMENSION STYLE MM ONLY		SCALE NTS	DESIGN UNITS METRIC	THIRD ANGLE PROJECTION
		$\nabla_A = 0$ $\nabla_E = 0$ $\nabla_F = 0$	mm INCH 4 PLACES ± --- ± --- 3 PLACES ± --- ± --- 2 PLACES ± 0.25 ± --- 1 PLACE ± --- ± --- 0 PLACE ± --- ± ---	DRAWN BY KJKOH CHECKED BY LNG APPROVED BY SHONG DATE 2008/09/25 DATE 2008/10/29 DATE 2011/02/08	TITLE	IMPACT POWER, 3 PAIR R/A RECEPT W/HOLD DOWN PRESS-FIT			
		ANGULAR ± 3 ° DRAFT WHERE APPLICABLE MUST REMAIN WITHIN DIMENSIONS	MATERIAL NO. SEE TABLE	DOCUMENT NO. SD-78348-001	SHEET NO. 4 OF 4				
		THIS DRAWING CONTAINS INFORMATION THAT IS PROPRIETARY TO MOLEX INCORPORATED AND SHOULD NOT BE USED WITHOUT WRITTEN PERMISSION							