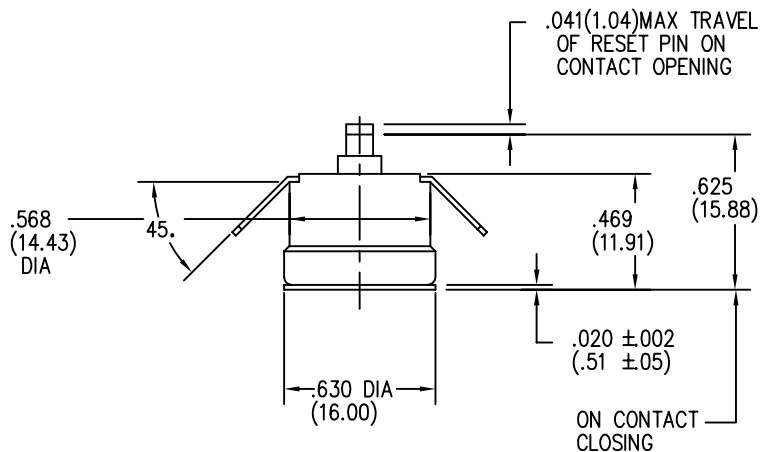
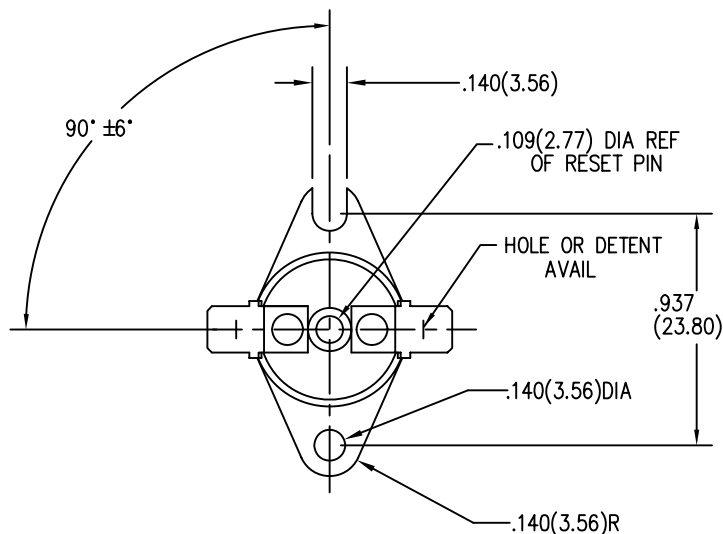


HONEYWELL
PART NUMBER

-

REV	DOCUMENT	CHANGED BY	CHECK
A	0042617	SS 02SEP08	BLR



A	DESIGN UNITS:	INCH [MM]
	TOLERANCES UNLESS NOTED:	
	NO PLACE	X ± -
	ONE PLACE	.X ± -
	TWO PLACE	.XX ± -
	THREE PLACE	.XXX ± 0.015 -
	ANGLES	X ± -
THIRD ANGLE PROJECTION		

DRAWN	DJD	24MAR97
CHECK	MF	24MAR97
THIS DRAWING COVERS A PROPRIETARY ITEM AND IS THE PROPERTY OF HONEYWELL. THIS DRAWING IS NOT TO BE COPIED OR USED WITHOUT THE PERMISSION OF HONEYWELL.		
INTERPRET PER ASME Y14.5M-1994 OTHER HONEYWELL ENGINEERING STANDARDS MAY APPLY		
AUTOCAD		

Honeywell				
TITLE THERMOSTAT SPST				
SIZE	TYPE	CAGE CODE	DRAWING NAME	REV
A	E	14604	2455RM501	A
SCALE	NTS	SHEET		1 OF 1