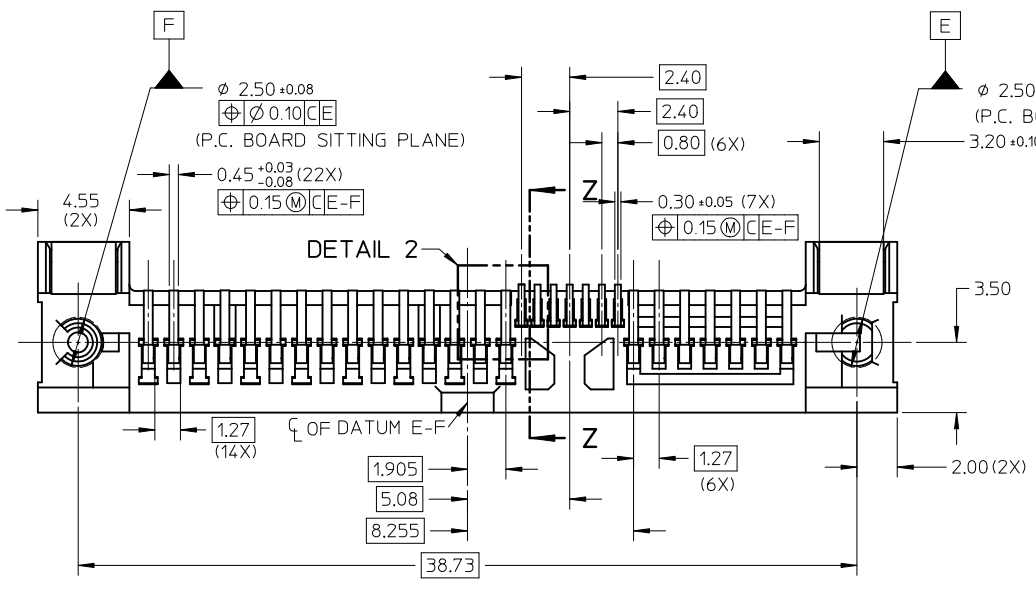


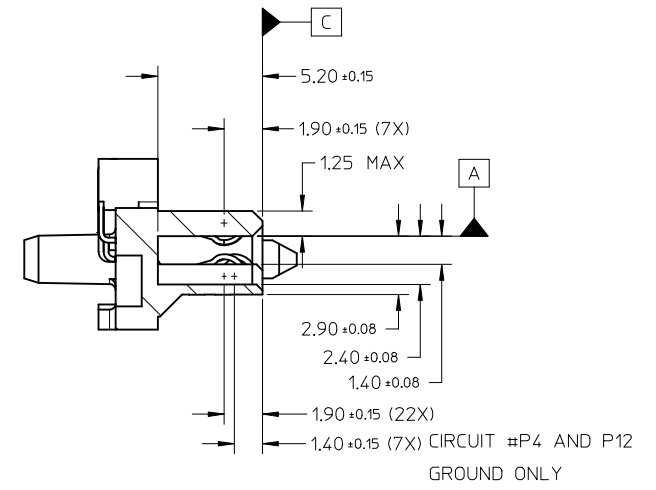
DETAIL 1

DETAIL 1



DETAIL 2

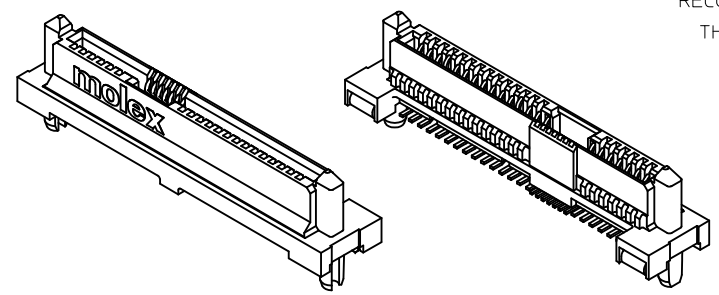
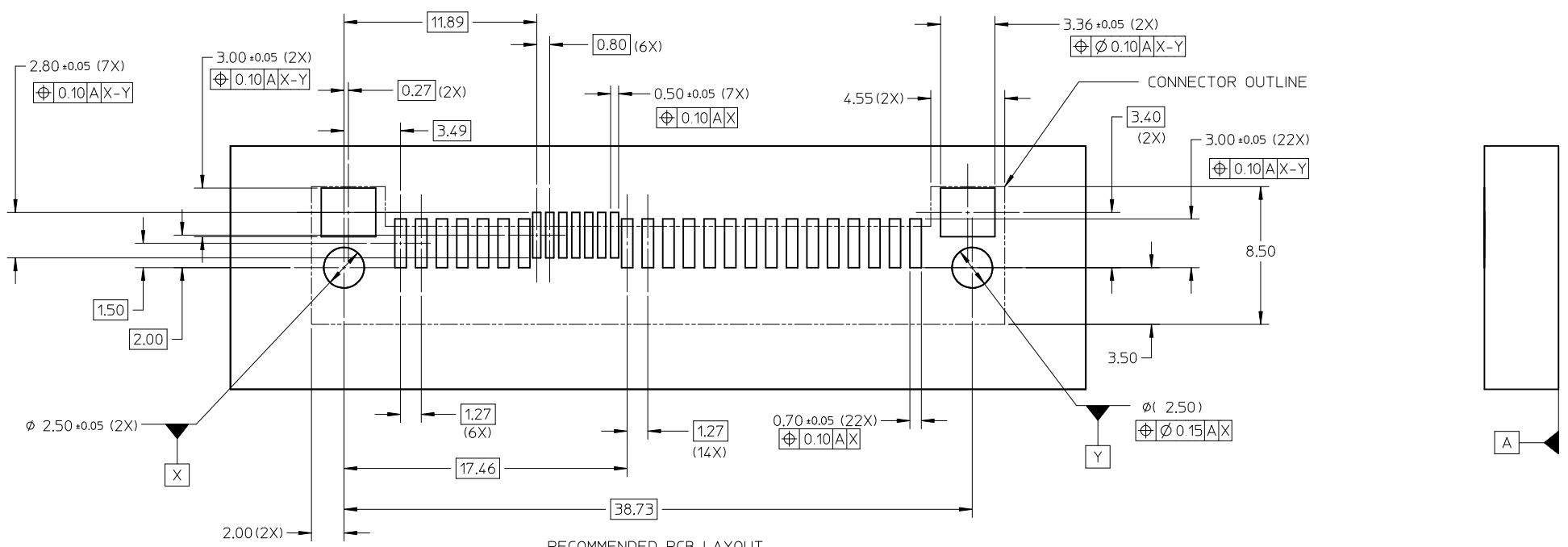
DETAIL 2



SECTION Z-Z

<b>STANDARDISED TRAY</b> EC NO: S2012-0424 DRW:NATSEE 2011/11/22 CHKD:SKANG 2011/12/01 APPR:MLONG 2011/12/01	QUALITY SYMBOLS ▽=0 ◻=0	GENERAL TOLERANCES (UNLESS SPECIFIED)		DIMENSION STYLE <b>MM ONLY</b>		SCALE <b>NTS</b>	DESIGN UNITS <b>METRIC</b>	THIRD ANGLE PROJECTION		
			mm	INCH	DRAWN BY	DATE	TITLE			
		4 PLACES	± ---	± ---	KHLIM	2005/07/07	<b>SERIAL ATTACH SCSI          STD HEIGHT BACKPLANE SMT          RECEPT (WITH SOLDER TAB)</b>			
		3 PLACES	± ---	± ---	CHECKED BY	DATE				
	± 0.20	± ---	SHFONG	2005/07/15	<b>MOLEX INCORPORATED</b>					
2 PLACES	± 0.20	± ---	APPROVED BY	DATE						
	± ---	± ---	SKTOH	2005/07/15	DOCUMENT NO. <b>SD-87824-031</b>					
1 PLACE	± ---	± ---	MATERIAL NO.	DATE						
ANGULAR ± 3 °		DRAFT WHERE APPLICABLE MUST REMAIN WITHIN DIMENSIONS		SEE TABLE		SHEET NO. <b>2 OF 4</b>				
THIS DRAWING CONTAINS INFORMATION THAT IS PROPRIETARY TO MOLEX INCORPORATED AND SHOULD NOT BE USED WITHOUT WRITTEN PERMISSION										

PART NO	PACKAGING	QUANTITY	PICK & PLACE CAP	DIM S (2X) PEG HEIGHT	PCB THICKNESS
87824-0004	TRAY	50/TRAY	YES	3.70	4.57±0.10
87824-0008	TRAY	50/TRAY	NO	3.70	4.57±0.10
87824-0010	TAPE AND REEL	350/REEL	YES	3.70	4.57±0.10
87824-0013	TRAY	50/TRAY	YES	2.00	2.54±0.10
87824-0014	TRAY	50/TRAY	NO	2.00	2.54±0.10
87824-0015	TAPE AND REEL	350/REEL	YES	2.00	2.54±0.10



RECOMMENDED PCB LAYOUT  
THICKNESS: SEE TABLE

STANDARDISED TRAY  
EC NO: S2012-0424  
DRW:NATSEE 2011/11/22  
CHKD:SKANG 2011/12/01  
APPR:MLONG 2011/12/01

QUALITY SYMBOLS  
▽=0  
◻=0

	GENERAL TOLERANCES (UNLESS SPECIFIED)	
	mm	INCH
4 PLACES	± ---	± ---
3 PLACES	± ---	± ---
2 PLACES	± 0.20	± ---
1 PLACE	± ---	± ---
ANGULAR ± 3 °		
DRAFT WHERE APPLICABLE MUST REMAIN WITHIN DIMENSIONS		

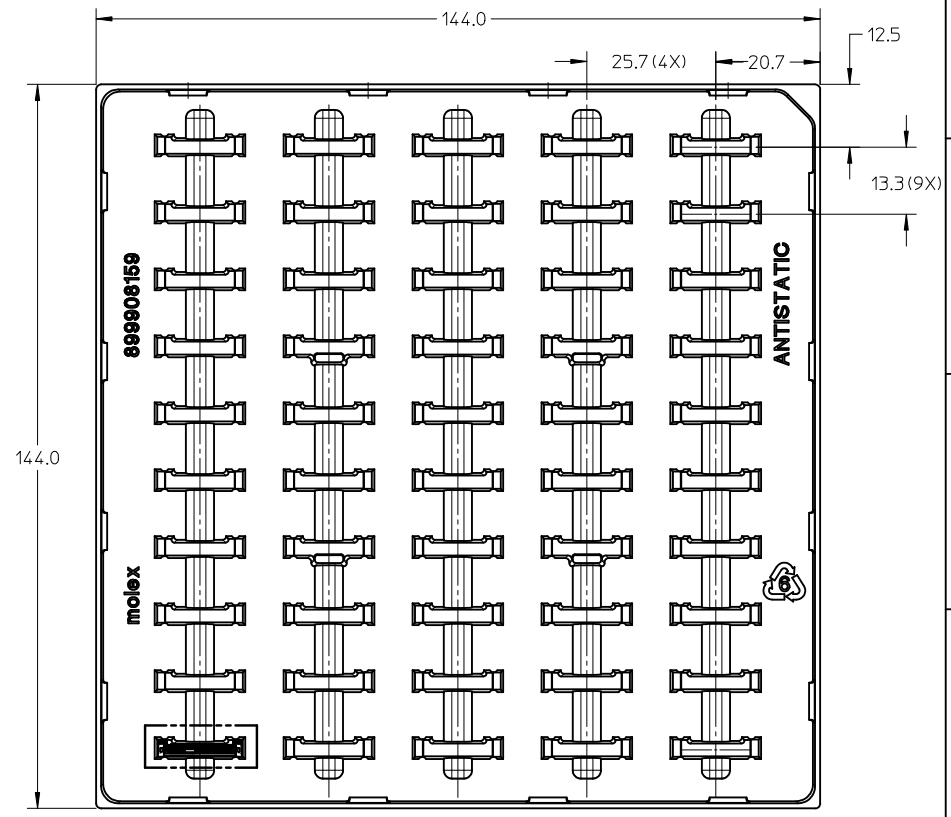
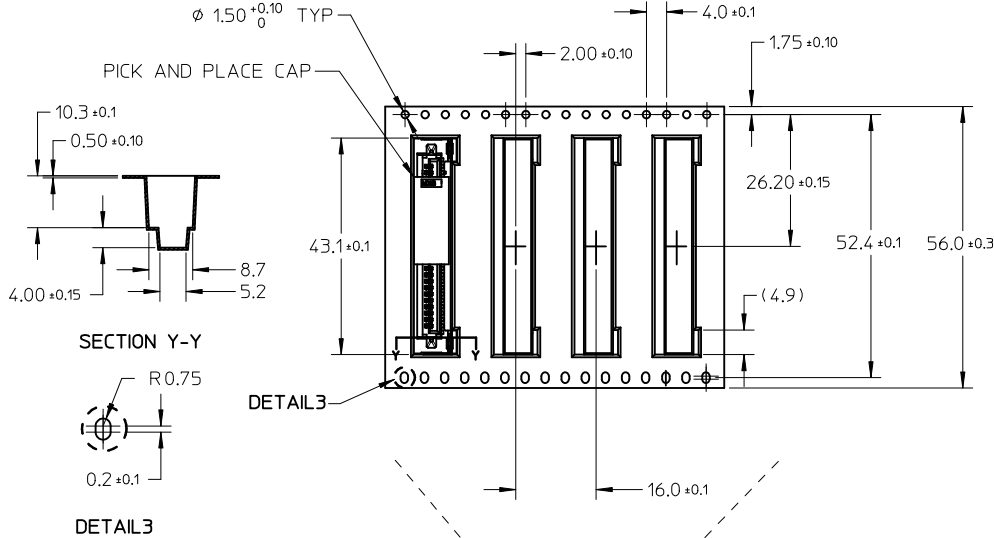
DIMENSION STYLE	
MM ONLY	
DRAWN BY	DATE
KHL IM	2005/07/07
CHECKED BY	DATE
SHFONG	2005/07/15
APPROVED BY	DATE
SKTOH	2005/07/15
MATERIAL NO.	
SEE TABLE	

SCALE	DESIGN UNITS	THIRD ANGLE PROJECTION
NTS	METRIC	☉
TITLE		
SERIAL ATTACH SCSI STD HEIGHT BACKPLANE SMT RECEPT (WITH SOLDER TAB)		
MATERIAL NO.		DOCUMENT NO.
SEE TABLE		SD-87824-031
SHEET NO.		3 OF 4

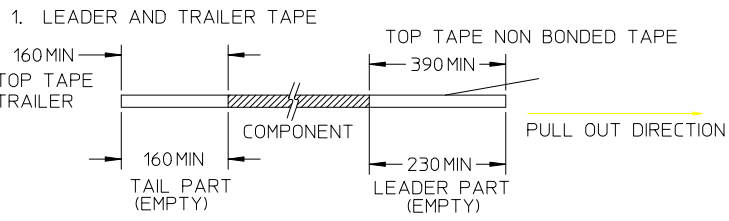
10 9 8 7 6 5 4 3 2 1

TAPE AND REEL PACKAGING

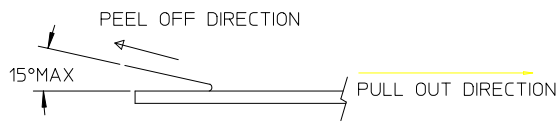
TRAY PACKAGING



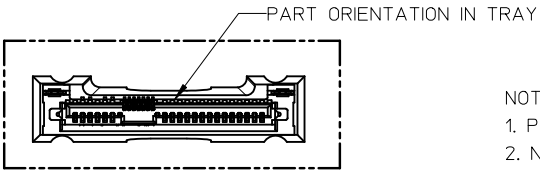
NOTES:



2. PEELING OFF FORCE OF THE TOP TAPE: 80gf MAX.  
(PEELING DIRECTION AS SHOWN IN FOLLOWING FIGURE)



- 3. PACKAGING QTY: 350 PCS/REEL
- 4. PACKAGING STANDARD IS AS PER EIA-481.
- 5. CONNECTOR COMES WITH PICK AND PLACE CAP.



- NOTES:
- 1. PACKAGING QTY: 50PCS/TRAY
  - 2. NO PICK AND PLACE CAP

STANDARDISED TRAY EC NO: S2012-0424 DRWN:ATSEE CHKD:SKANG APPR:MLONG 2011/11/22 2011/12/01 2011/12/01	QUALITY SYMBOLS	GENERAL TOLERANCES (UNLESS SPECIFIED)	DIMENSION STYLE	SCALE	DESIGN UNITS	THIRD ANGLE PROJECTION	
	▼=0 ▽=0	mm INCH	MM ONLY	NTS	METRIC		
		4 PLACES ± --- ± --- 3 PLACES ± --- ± --- 2 PLACES ± 0.20 ± --- 1 PLACE ± --- ± ---	DRAWN BY DATE KHL IM 2005/07/07	TITLE	SERIAL ATTACH SCSI STD HEIGHT BACKPLANE SMT RECEPT (WITH SOLDER TAB)		
		APPROVED BY DATE SKTOH 2005/07/15	CHECKED BY DATE SHFONG 2005/07/15				
	ANGULAR ± 3 °	MATERIAL NO.	DOCUMENT NO.	SHEET NO.			
	DRAFT WHERE APPLICABLE MUST REMAIN WITHIN DIMENSIONS	SIZE	THIS DRAWING CONTAINS INFORMATION THAT IS PROPRIETARY TO MOLEX INCORPORATED AND SHOULD NOT BE USED WITHOUT WRITTEN PERMISSION			4 OF 4	

9 8 7 6 5 4 3 2 1