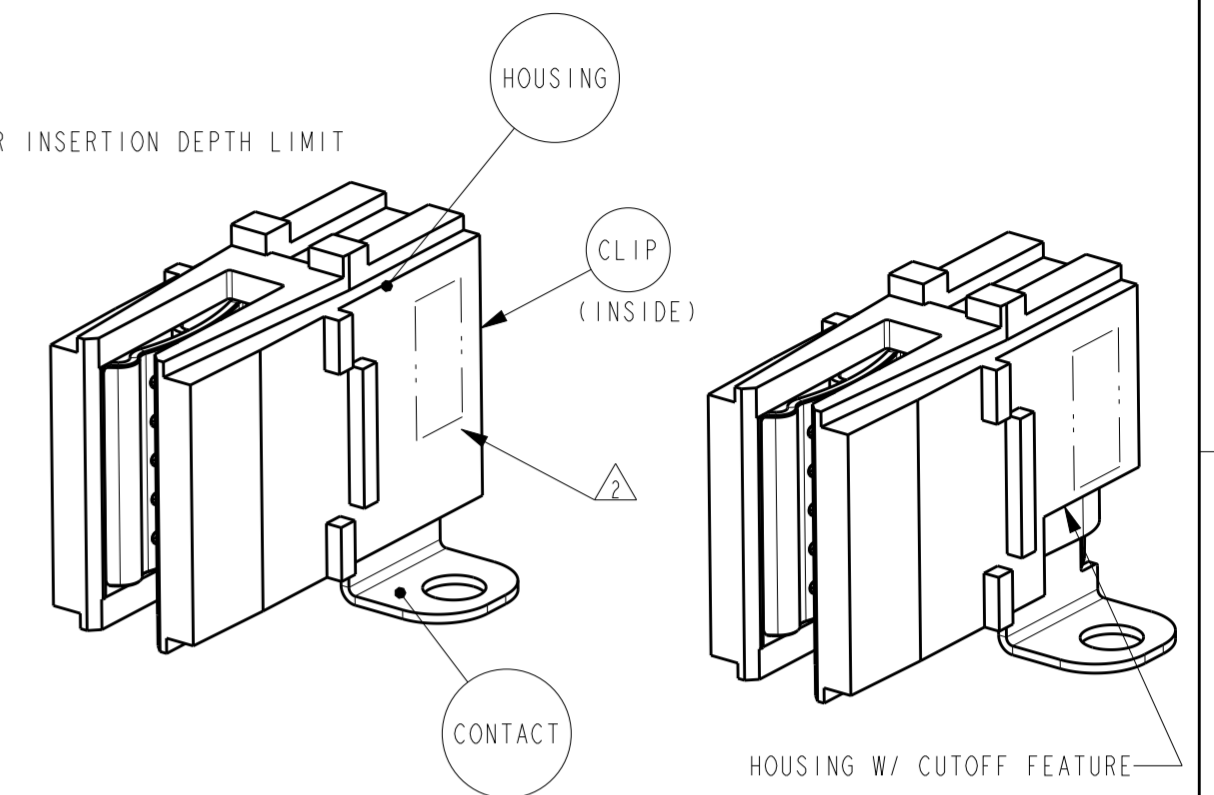
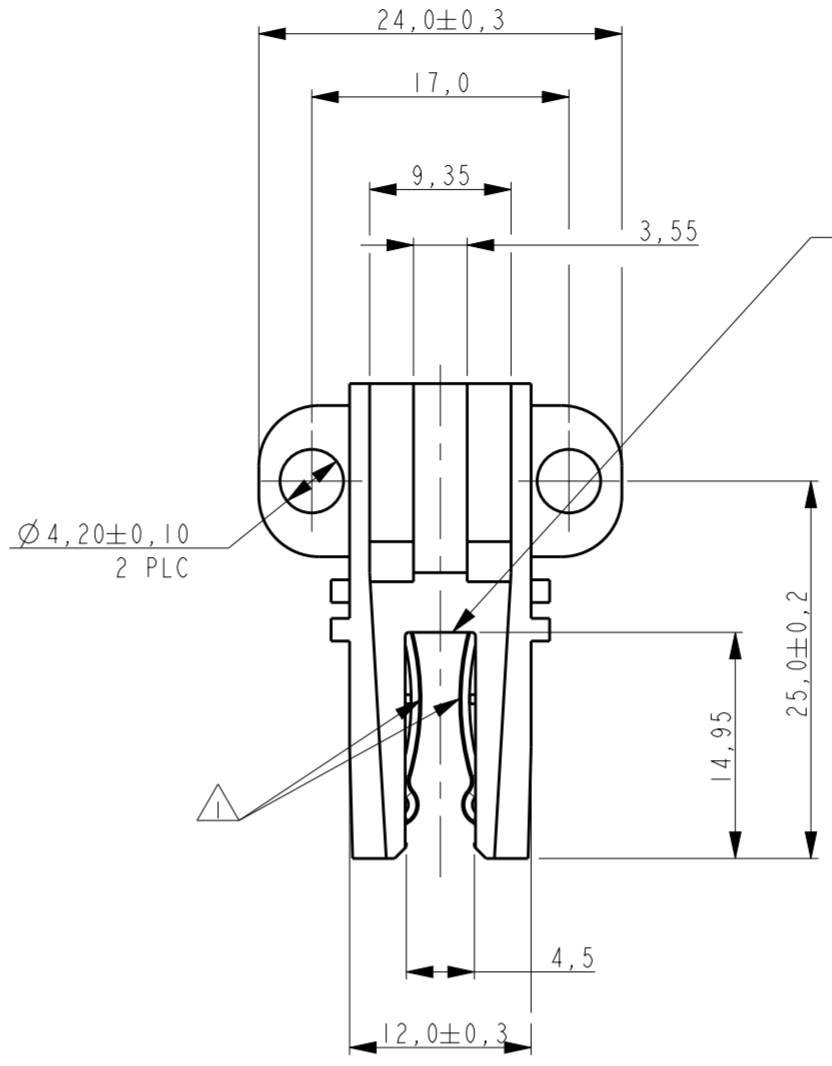
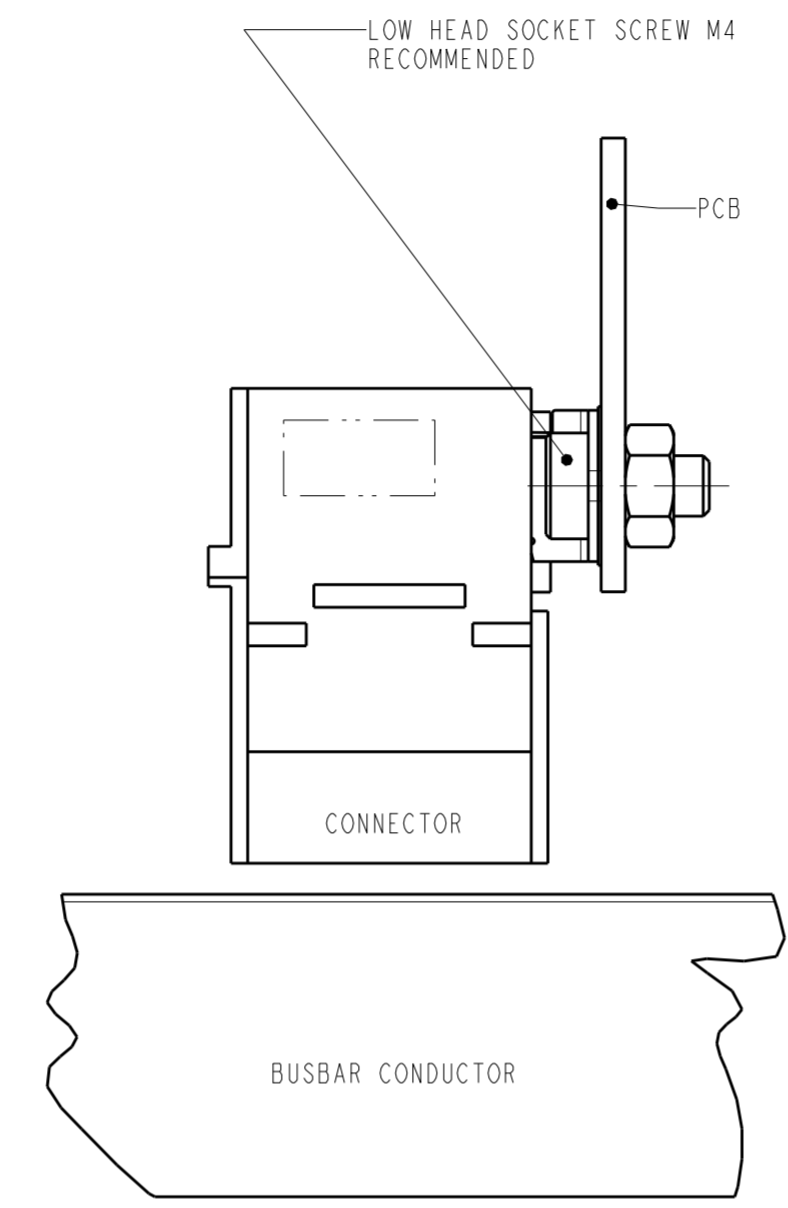
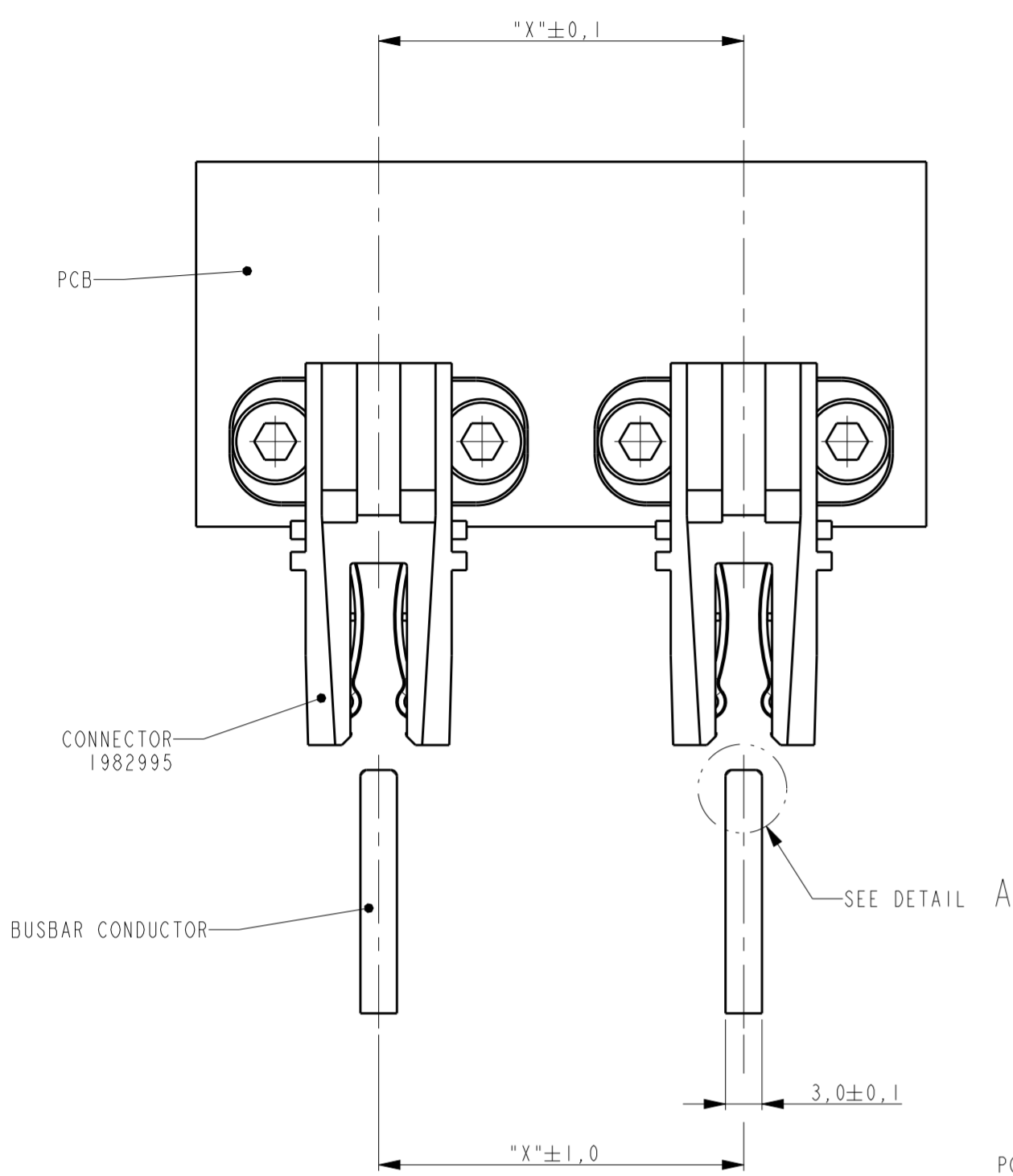


THIS DRAWING IS UNPUBLISHED. RELEASED FOR PUBLICATION
 © COPYRIGHT - BY - ALL RIGHTS RESERVED.

REVISIONS					
P	LTR	DESCRIPTION	DATE	DWN	APVD
A8		REV PER ECR-15-007945	16MAY2015	ML	SZ

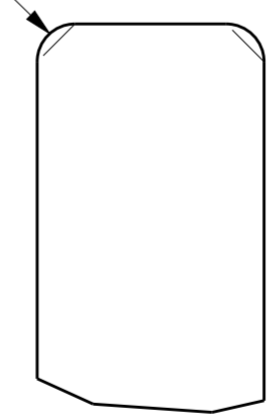


THE REFERENCE CONSTRUCTION P/N: 1982995-1 AND -2

THE REFERENCE CONSTRUCTION P/N: 1982995-3

PCB, BUSBAR-CONDUCTORS, SCREWS AND NUTS IN THESE VIEWS ARE SHOWN FOR REFERENCE ONLY.

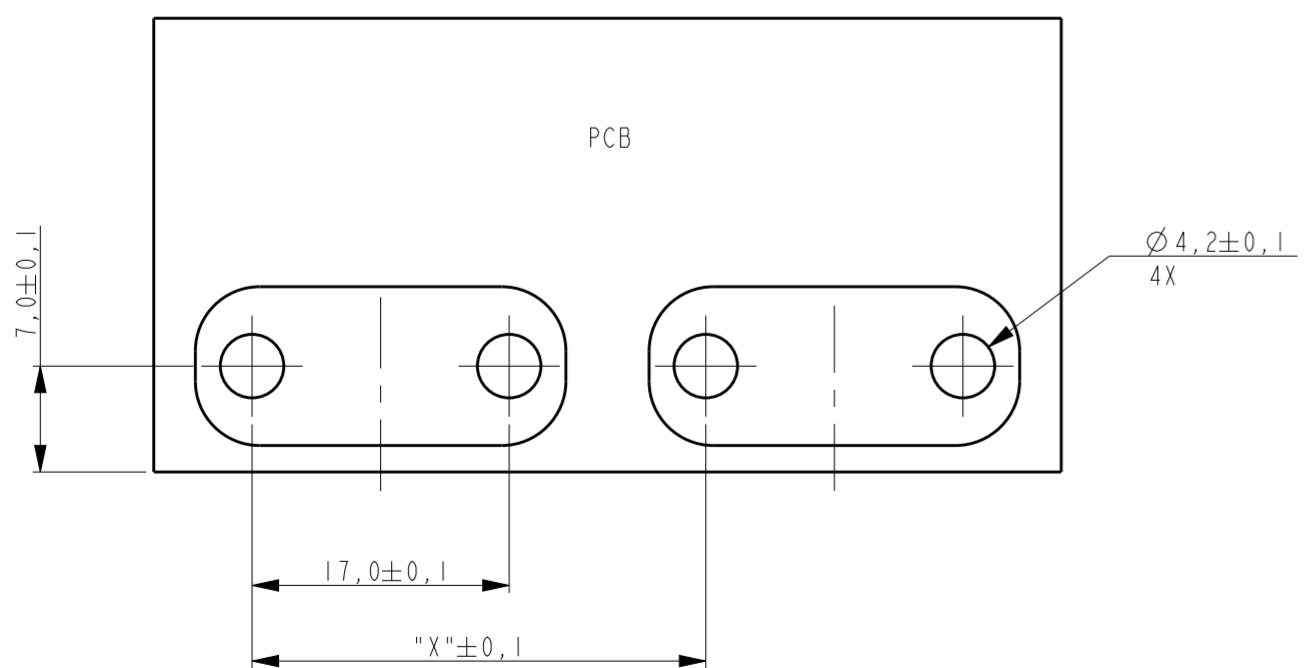
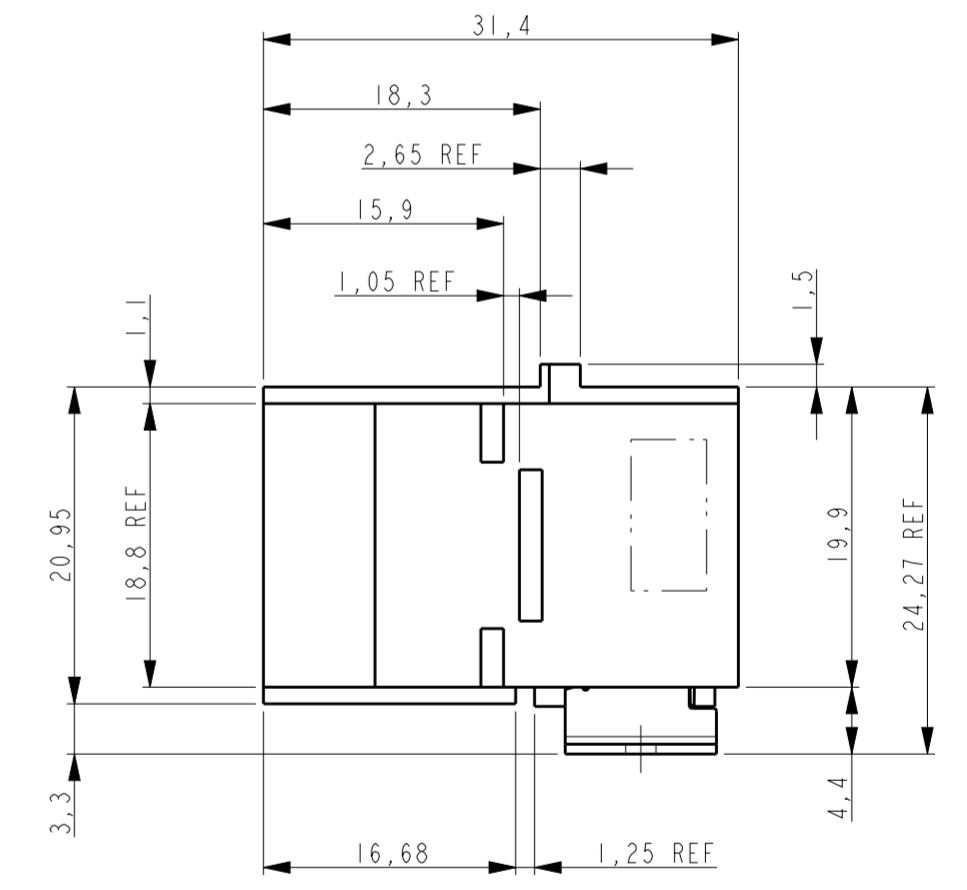
RADIUSED OR CHAMFERED EDGE RECOMMENDED



DETAIL A SCALE 10:1

- NOTES:
- 1 PLATING: 1,2µm MIN. NICKEL UNDERLAYER ALLOVER. 3,0µm MIN. TIN IN INDICATED AREA'S.
 - 2 AREA FOR PART NUMBER AND DATE-CODE.
 - 3 PLATING: 1,2µm MIN. NICKEL UNDERLAYER ALLOVER. 3,0µm MIN. SILVER IN INDICATED AREA'S.
 - 4 MATERIAL: POWER CONTACT: COPPER ALLOY; CLIP: STAINLESS STEEL; HOUSING: PBT, BLACK, UL 94V0 FLAMMABILITY RATED.

RECOMMENDED PCB LAY-OUT THICKNESS: 1,5 mm Min.



THIS DRAWING IS A CONTROLLED DOCUMENT.		DWN J.VOS 13-Feb-08	TE Connectivity	
		CHK R.DAAMEN 13-Feb-08		
DIMENSIONS: mm		APVD R.VD.SANDT	NAME	
TOLERANCES UNLESS OTHERWISE SPECIFIED:		PRODUCT SPEC	PLUGGABLE BUSBAR CONNECTOR	
0 PLC ±		108-19360-1	SCREW MOUNT VERSION	
1 PLC ±0.3		APPLICATION SPEC	CROWN CLIP JUNIOR	
2 PLC ±0.15		114-19128	SIZE A2	CAGE CODE
3 PLC ±0.005		WEIGHT	DRAWING NO. C-1982995	
4 PLC ±		Customer Drawing	RESTRICTED TO	
ANGLES ±2°		SCALE 2:1	SHEET 1 OF 1	
FINISH		REV A8		