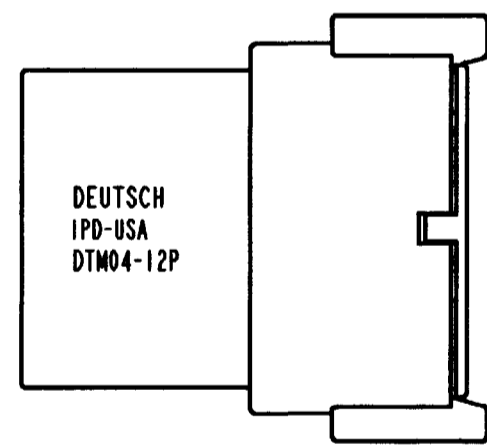
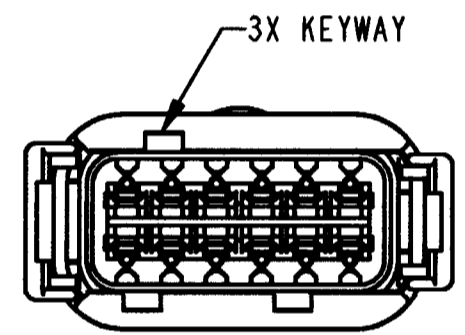
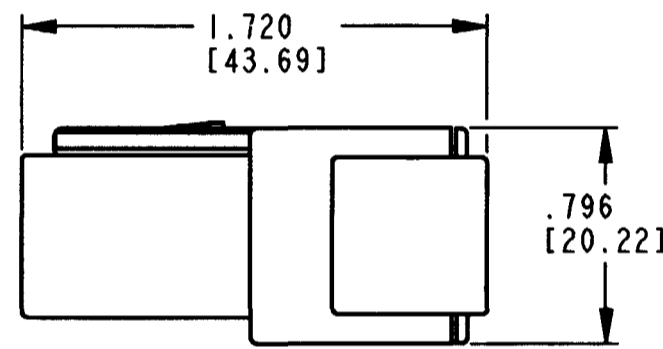
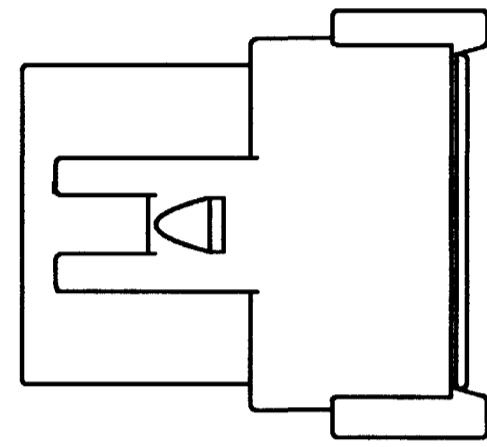
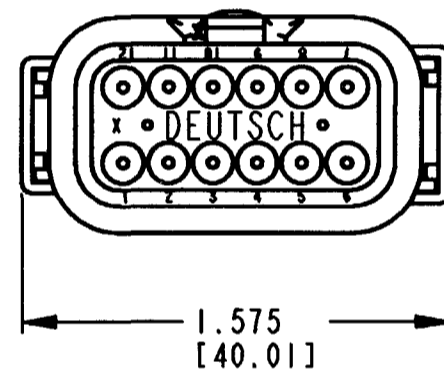


REV
NC

DTM04-12P*

REVISIONS

| SYM | DESCRIPTION | DATE | APPROVED |
|-----|-----------------------------|---------|----------|
| NC | NEW RELEASE PER E.O. P18487 | 2-19-04 | RDA |
| | | | |
| | | | |



- 7. SEE SHEET 2 FOR OTHER KEY ARRANGEMENTS.
 - 6. MATERIAL - HOUSING: PLASTIC; GROMMET: RUBBER.
 - 5. THIS RECEPTACLE MATES WITH DTM06-12S*-**** PLUG. (* = A,B,C,D KEYS; **** = ALL MODIFICATIONS)
 - 4 FOR CONTACT AND WIRE PERFORMANCE AND APPLICATION CHARACTERISTICS SEE ENVELOPE DRAWING 0425-015-0000.
 - 3. SECONDARY WEDGE LOCK SOLD SEPARATELY: WM-12P.
 - 2. DIMENSION TOLERANCE: ±.025 [1.64].
 - 1. DIMENSIONS ARE IN INCHES [mm].
- NOTES: UNLESS OTHERWISE SPECIFIED

| CONTACT SIZE | MIN. INSUL. O.D. | MAX. INSUL. O.D. | WIRE RANGE [mm ²] REF ONLY |
|--------------|------------------|------------------|--|
| 20 | .053 [1.35] | .120 [3.05] | 16-20 AWG [1.0-0.5] |

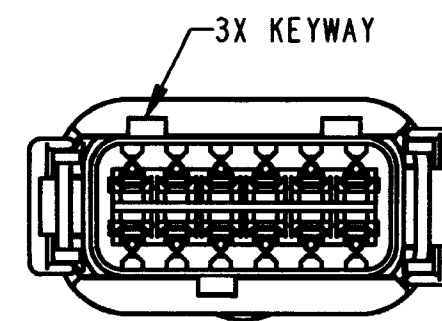
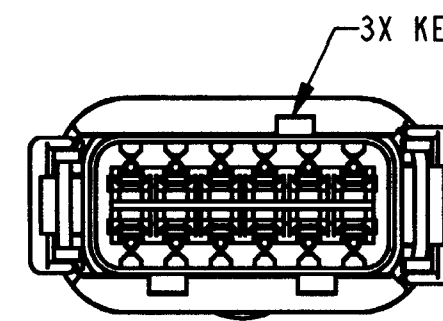
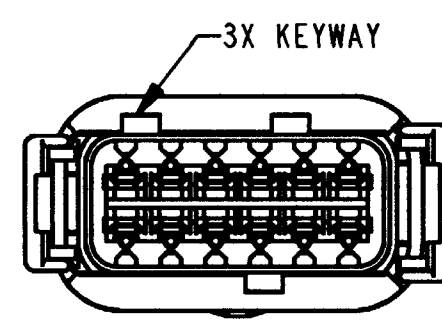
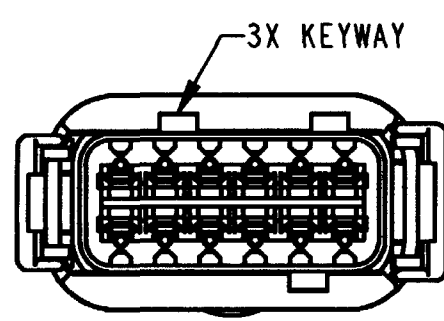
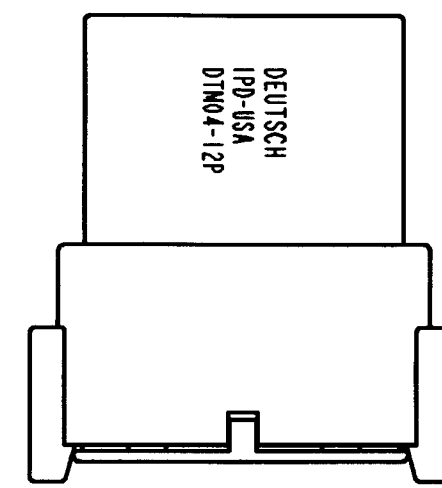
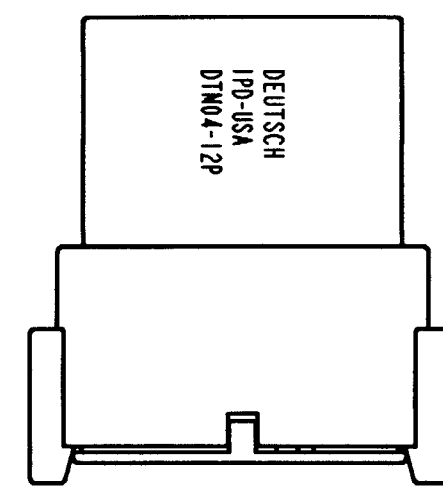
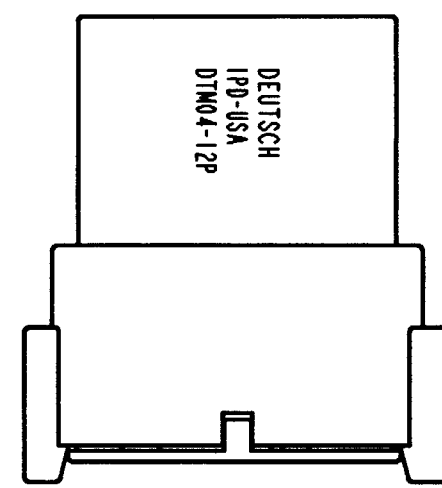
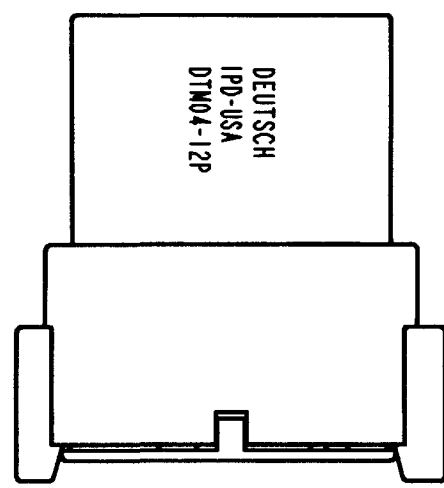
| SIGNATURE & DATE | |
|------------------|-------------------|
| DR | D. MEYER 02/12/04 |
| CHK | J. Lim 2/18/04 |
| PE | D. Meyer 2/18/04 |
| APPD | R. Reed 2-19-04 |
| SCALE | NONE |
| WT | |

RECEPTACLE
12 CONTACTS, SIZE 20
A,B,C,D KEYS
DTM SERIES

ENVELOPE

| | |
|---|-------------------------|
| CP | MATL. CODE |
| The Deutsch Company DEUTSCH I.P.D. 3850 INDUSTRIAL AVE. HEMET, CALIF. 92545 | |
| B | DTM04-12P* |
| DWG SIZE | CODE 11139 SHEET 1 OF 2 |

| | | | | | |
|-----------|-------------------|-----------|-------------|---------|----------|
| REV NC | DTM04-12P* | REVISIONS | | | |
| | | SYM | DESCRIPTION | DATE | APPROVED |
| | | | SEE SHEET 1 | 2-19-04 | RDR |
| | | | | | |
| | | | | | |



DTM04-12PA
KEY -A-
COLOR: GREY

DTM04-12PB
KEY -B-
COLOR: BLACK

DTM04-12PC
KEY -C-
COLOR: GREEN

DTM04-12PD
KEY -D-
COLOR: BROWN

NOTES:

| | | | | |
|------------------|-------------------|---|--|-------------------|
| SIGNATURE & DATE | | RECEPTACLE 12 CONTACTS, SIZE 20 A, B, C, D KEYS DTM SERIES | CP | MATL. CODE |
| DR | D. MEYER 02/12/04 | | The Deutsch Company DEUTSCH I.P.D. 3850 INDUSTRIAL AVE. HEMET, CALIF. 92545 | |
| CHK | J. Lim 2/18/04 | | B | DTM04-12P* |
| PE | D. Meyer 2/12/04 | | | DWG SIZE |
| APPD | H. Reed 2-19-04 | ENVELOPE | | |
| SCALE | NONE | WT | | |