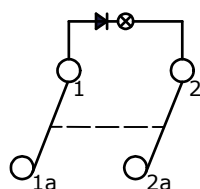


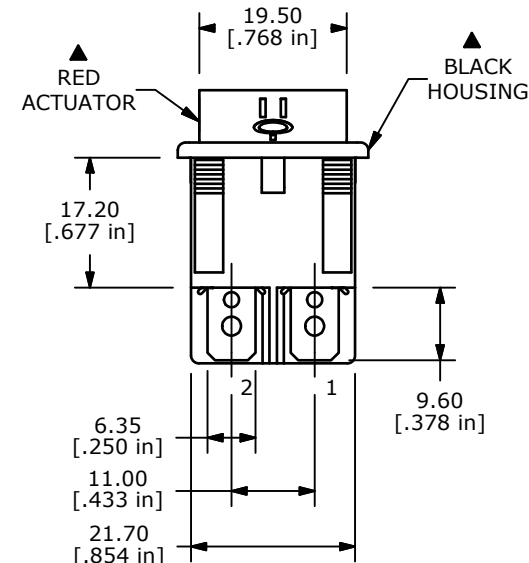
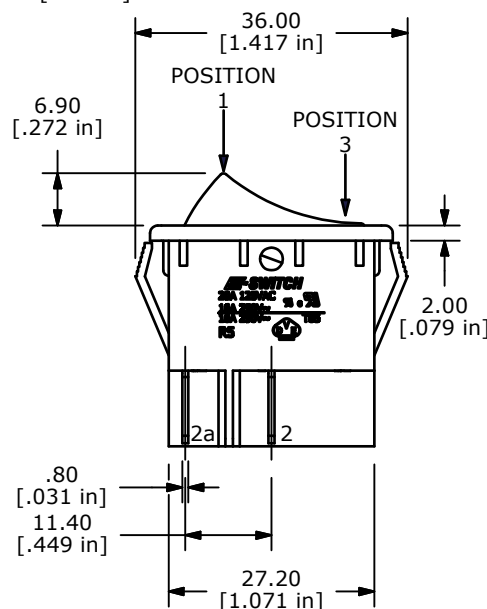
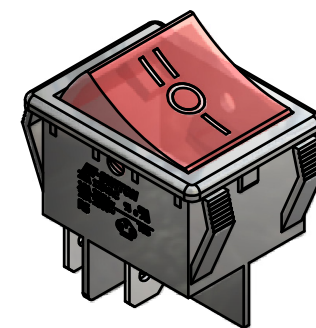
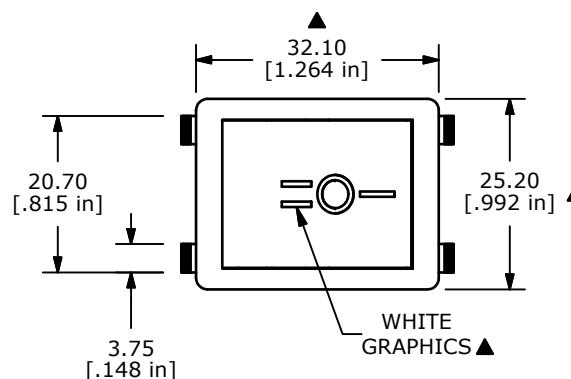
RECOMMENDED PANEL MOUNTING

| PANEL THICKNESS | X |
|-----------------|-----------|
| 0.75-1.25 | 30.0-30.2 |
| 1.25-2.00 | 30.2-30.4 |
| 2.00-3.00 | 30.6-30.8 |

| SWITCH FUNCTION | | |
|-----------------|--------|------------|
| POS. 1 | POS. 2 | POS. 3 |
| | | |
| OFF | NONE | ON |
| OPEN | N/A | 1-1a, 2-2a |



CIRCUIT: DPST ON-OFF



NOTES:

1. ALL DIMENSIONS IN MM [INCH]
2. GENERAL TOLERANCE: X.X=±0.4
X.XX=±0.25
3. TERM. NOS. FOR REF. ONLY
- ▲4. RATING: 20A @125VAC 3/4HP UL APPROVED
16A @250VAC 1HP UL APPROVED
16A @ 250VAC 1HP VDE APPROVED
5. ELECTRICAL LIFE: 10,000 CYCLES
6. MECHANICAL LIFE: 30,000 CYCLES
7. CONTACT RESISTANCE: <20 MILLI-OHMS INITIAL
8. DIELECTRIC STRENGTH: >1,500V AC 1MIN
9. INSULATION RESISTANCE: >1000MOHMS
10. OPERATING TEMP: TERMINAL SIDE: -20°C to 85°C
ROCKER SIDE: -20°C to 55°C
- ▲11. LAMP: NEON 125V AC
12. ▲DENOTES CRITICAL PARAMETER.
13. 2002/95/EC (ROHS) COMPLIANT



| | | | | |
|-----|--------|------------------------------|----------|-----|
| E | 20143 | ADD HP RATING | 08/31/11 | BMA |
| D | 19771 | UPDATE / CONVERT TO INVENTOR | 03/18/11 | BMA |
| REV | PCR NO | DESCRIPTION | DATE | BY |

| | | | | |
|--------------------|----------------|-------|-------------|-------|
| TITLE R5BBLKREDCF1 | | | | |
| SCALE 1:1 | DATE 3/18/2011 | DR BA | DWG M050234 | REV E |

THE INFORMATION CONTAINED IN THIS DOCUMENT IS PROPRIETARY TO E-SWITCH AND IS NOT TO BE COPIED OR TRANSFERRED