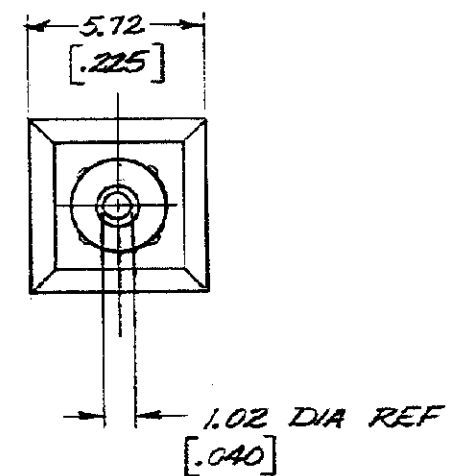
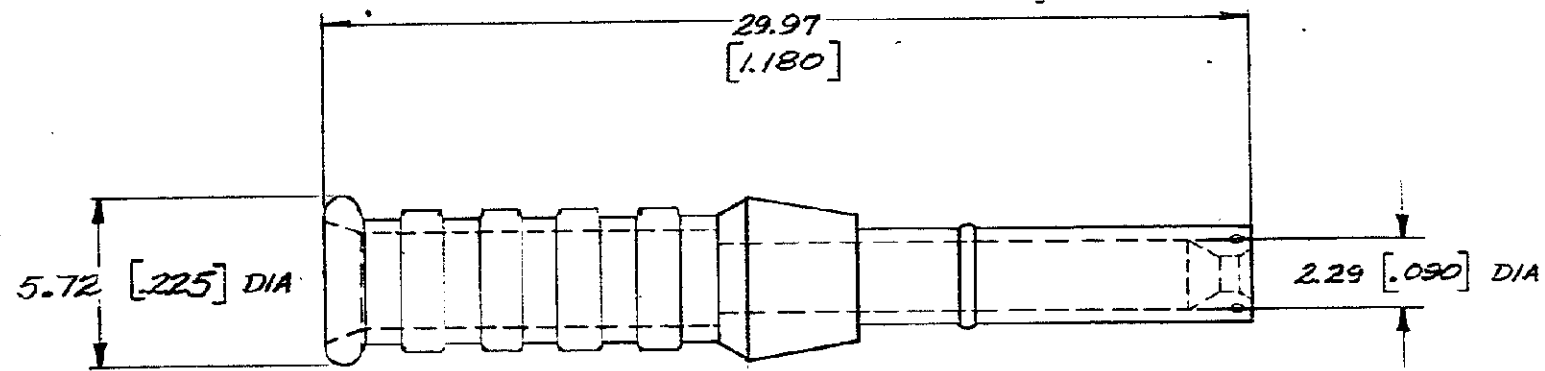


DRAWING MADE IN THIRD ANGLE PROJECTION

© COPYRIGHT 19 BY AMP INCORPORATED, HARRISBURG, PA.
 ALL INTERNATIONAL RIGHTS RESERVED. AMP INCORPORATED PRODUCTS
 COVERED BY U. S. AND FOREIGN PATENTS AND/OR PATENTS PENDING.

		REVISIONS				
P	F	ZONE	LTR	DESCRIPTION	DATE	APPROVED
✓	✓		0	RELEASED NFR 81-2513	3/30/81	JM
✓	✓		A	REVISED CONFIGURATION OF NOSE, C81-231	3/20/81	JM
✓	✓		B	ADD CHAMFER C81-335	4/23/81	JM
✓	✓		C	REVISED DIM C81-679	12/21/81	JM
✓	✓		D	REV. PER ECN C83-261	3-23-83	PK JEM
✓	✓		E	REV NOSE C83-417	6-6-83	JM
✓	✓		F	REV PER ECN CE-74	2-28-84	WM/DH
✓	✓		G	REV PER ECN CE-275	12-3-84	WM/DH



BLACK	228041-1
COLOR	PART NO

UNLESS OTHERWISE SPECIFIED DIMENSIONS ARE IN INCHES. TOLERANCES ON: DECIMALS ±.25 [0.01] ANGLES ±.25 [0.01]	CONTRACT NO	AMP INCORPORATED Harrisburg, Pa.	
MATERIAL NYLON	DB 3/30/81	NAME PLUG, SIMPLEX, OPTIMATE DISP	
FINISH #	APPD Bernie Carson 3/21/81 Michael Sand 4-1-81	SIZE B	CODE IDENT NO 00779
	DSGN APPD	DRAWING NO 228041	
	OTHER APPD	SCALE NTS	SHEET

METRIC DIMENSIONS IN MM
 DIMENSIONS IN []
 ARE IN INCHES

CUSTOMER DRAWING