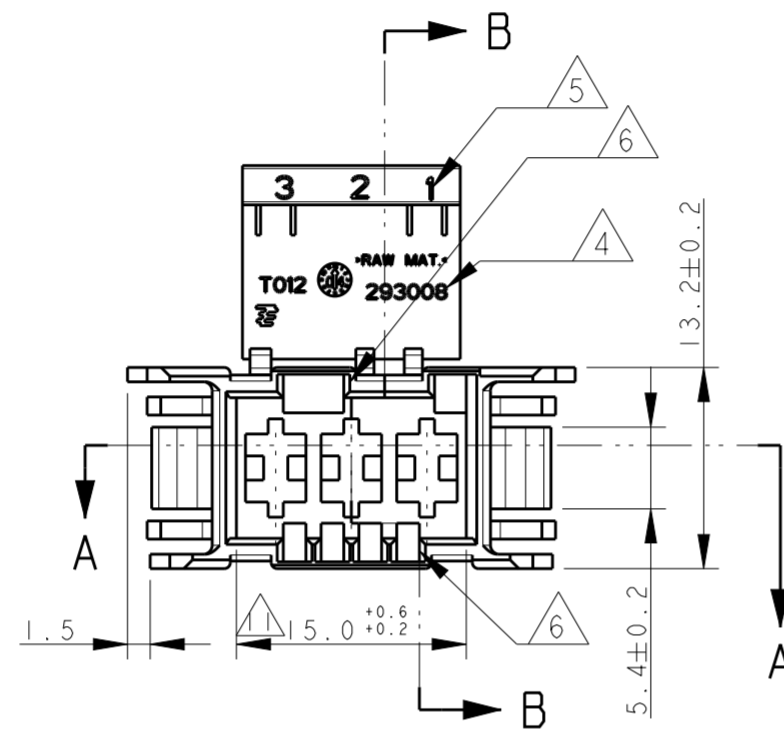
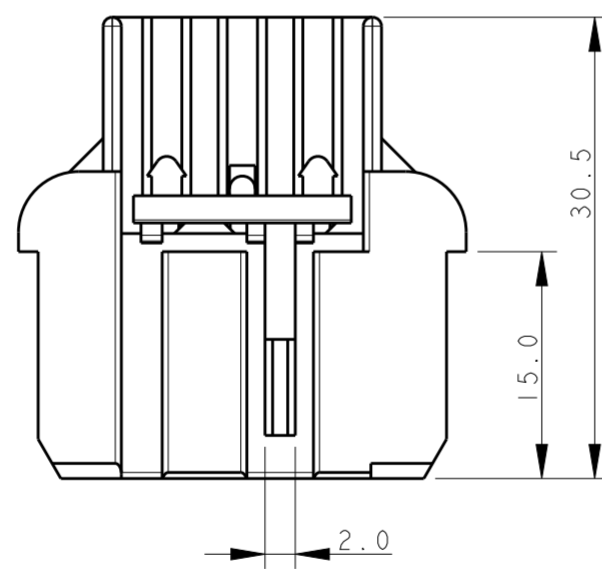
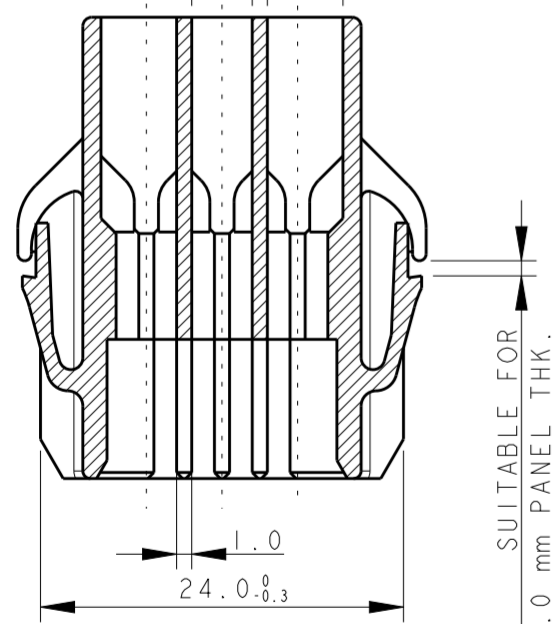
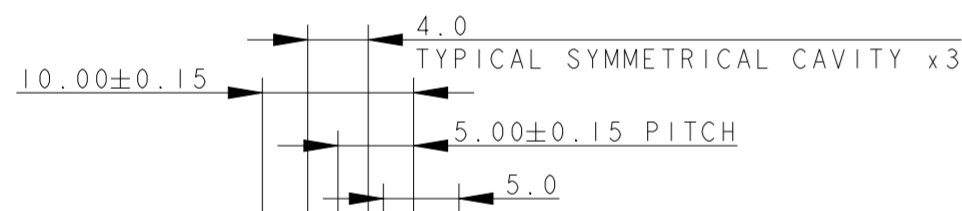


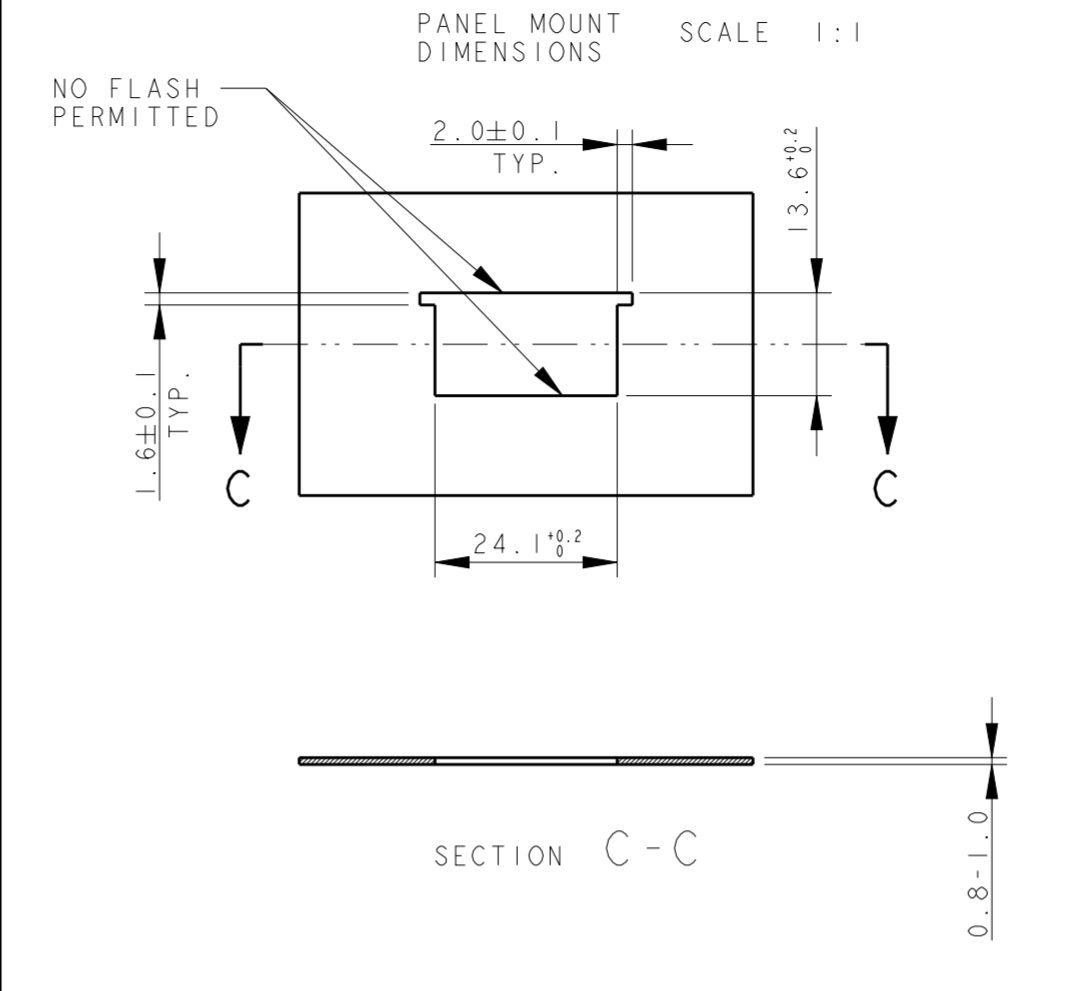
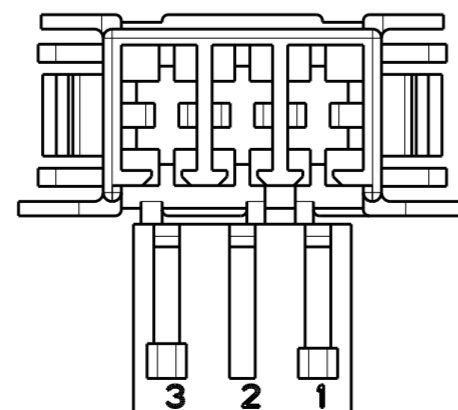
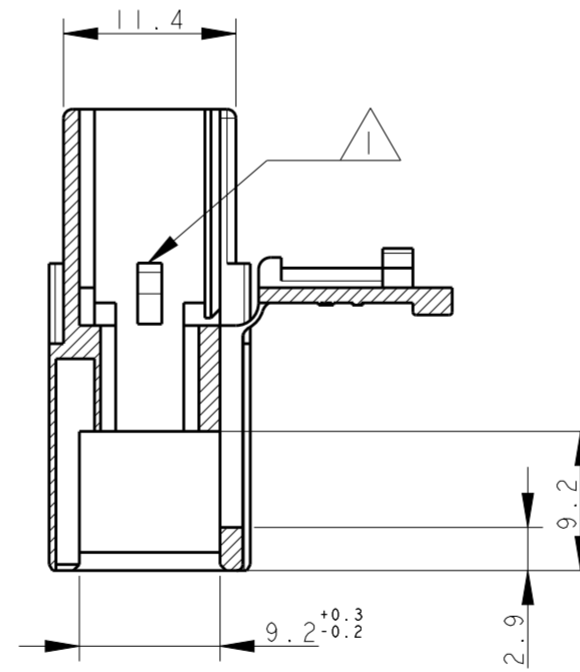
SCALE 1:1



SECTION A-A



SECTION B-B



| REVISIONS | | | | |
|-----------|-----|---------------------------|-----------|-------|
| P | LTR | DESCRIPTION | DATE | APVD |
| B12 | | REVISED PER ECR-16-009157 | 29JUN2016 | BW RS |
| B13 | | ECR-16-013951 | 10OCT2016 | KD RR |

- 1) TYPICAL CAVITY SUITABLE FOR:
 FASTIN-FASTON TAB CONTACTS 6.3 mm SRS:
 P/N: 60294, 0.3-0.8 mm² WIRE RANGE
 160691, 0.3-0.8 mm² WIRE RANGE
 AMPLIVAR CONTACTS:
 P/N: 141051, 0.1-0.5 mm² WIRE RANGE
 142411, 0.3-1.6 mm² WIRE RANGE
 MAX. INSULATION DIA. 2.8 mm,
 MAX. INSULATION CRIMP WIDTH 3.3 mm.
- 2) PA6 UNFILLED, UL 94-V2, NATURE COLOUR
 ACCORDING TO IEC 60335-1 NORM. EDITION 4
- 3) PA66 UNFILLED, UL 94-V2, NATURAL COLOUR
- 4) TRADEMARK "LOGO" AND
 TYCO ELECTRONICS "PART NUMBER"
 OPTIONAL POSITION.
- 5) CIRCUIT IDENTIFICATION NUMBERS, 1 TO 3
- 6) POLARIZATION KEYS DIMENTIONS AND POSITIONS
 ARE ACCORDING TO "RAST 5" NORM
 RAST CODE 03-A & 03-1.
- 7) PA66 UNFILLED, UL 94-V0, NATURAL COLOUR
- 8) PA66 UNFILLED, UL 94-V0 GWT, NATURAL COLOUR
- 9) PRELIMINARY - NOT RELEASED FOR PRODUCTION
- 10) PA66 UNFILLED, UL94-V0 GWT, NATURAL COLOUR
- 11) ONLY FOR 293008-6, 15.0 +0.6/+0.1 (LOCATION C3)
- 12) PA66 UNFILLED, UL94-V0 GWT, BLUE COLOR

| COLOUR | MATERIAL | TE P/N | REV |
|---------|-------------|------------|-----|
| BLUE | SEE NOTE 12 | 3-293008-1 | 1 |
| NATURAL | SEE NOTE 10 | 2-293008-2 | 1 |
| NATURAL | SEE NOTE 10 | 2-293008-1 | 1 |
| NATURAL | SEE NOTE 2 | 1-293008-1 | B |
| NATURAL | SEE NOTE 10 | 293008-6 | B |
| NATURAL | SEE NOTE 8 | 293008-5 | B |
| NATURAL | SEE NOTE 7 | 293008-3 | B |
| NATURAL | SEE NOTE 3 | 293008-2 | B |
| NATURAL | SEE NOTE 2 | 293008-1 | B |

THIS DRAWING IS A CONTROLLED DOCUMENT. DWN 27 FEB 2004
 H. YAALI
 CHK C. TARTARI
 APVD -

DIMENSIONS: mm TOLERANCES UNLESS OTHERWISE SPECIFIED:
 0 PLC ±
 1 PLC ±0.3
 2 PLC ±
 3 PLC ±
 4 PLC ±
 ANGLES ±1°
 FINISH SEE TABLE

MATERIAL SEE TABLE

PRODUCT SPEC 108-20256
 APPLICATION SPEC -
 WEIGHT -

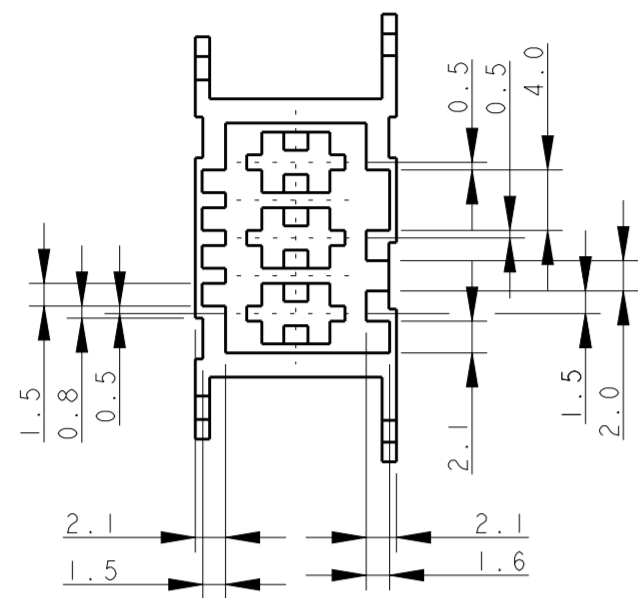
CUSTOMER DRAWING SCALE 5:1 SHEET 1 OF 2 REV B13

TE Connectivity
 NAME 3 POS. FASTIN-FASTON Connector
 TAB HOUSING, RAST 5
 0.8-1.0 MM THK. PANEL MOUNT
 SIZE A2 CAGE CODE - DRAWING NO. C-293008 RESTRICTED TO -

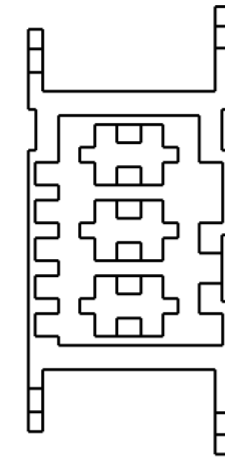
THIS DRAWING IS UNPUBLISHED. RELEASED FOR PUBLICATION 2003
 © COPYRIGHT 2003 BY - ALL RIGHTS RESERVED.

| REVISIONS | | | | |
|-----------|-----|-------------|------|------|
| P | LTR | DESCRIPTION | DATE | APVD |
| - | - | SEE SHEET 1 | - | - |
| | | | | |
| | | | | |

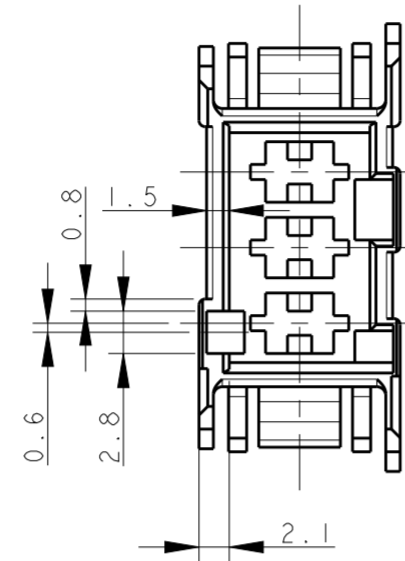
POLARIZATION SCHEME



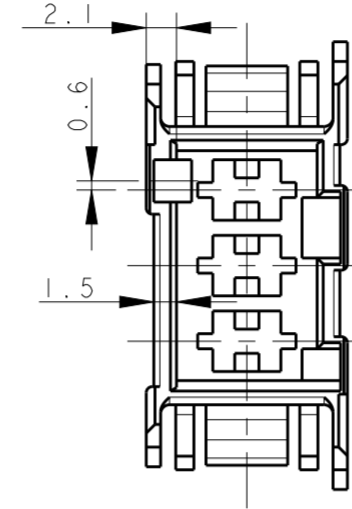
293008-X



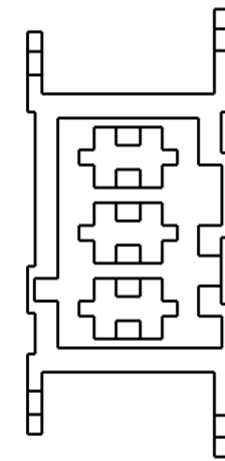
1-293008-X




2-293008-1



2-293008-2



3-293008-1

| | | | | |
|--|---------------------|--------------------------------|---|--------------------|
| THIS DRAWING IS A CONTROLLED DOCUMENT. | | DWN H. YAALI 27 FEB 2004 |  TE Connectivity | |
| DIMENSIONS: mm | | CHK C. TARTARI | | |
| TOLERANCES UNLESS OTHERWISE SPECIFIED: | | APVD - | PRODUCT SPEC 108-20256 | RESTRICTED TO - |
| 0 PLC ±- 1 PLC ±0.3 2 PLC ±- 3 PLC ±- 4 PLC ±- ANGLES ±1° | | APPLICATION SPEC - | SIZE A2 | CAGE CODE - |
| MATERIAL SEE TABLE | FINISH SEE TABLE | WEIGHT - | DRAWING NO. C-293008 | SCALE 2:1 |
| CUSTOMER DRAWING | | SHEET 2 OF 2 | | REV. B13 |