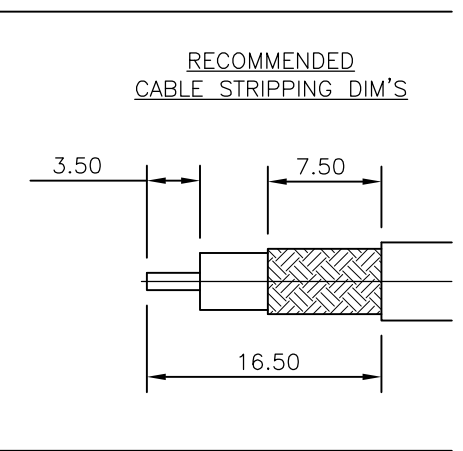
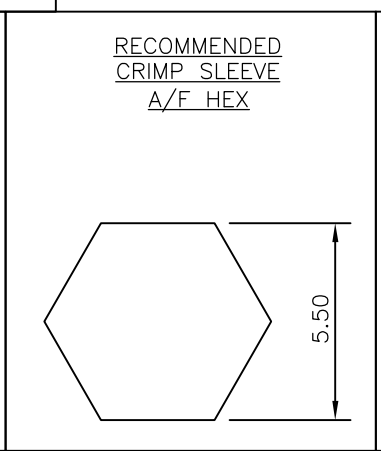
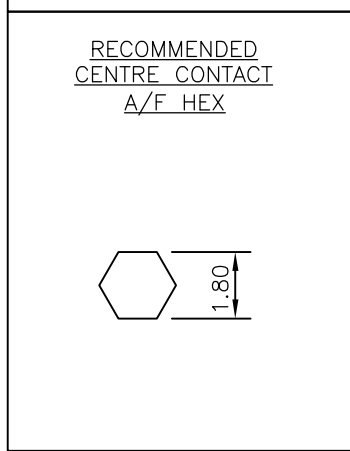
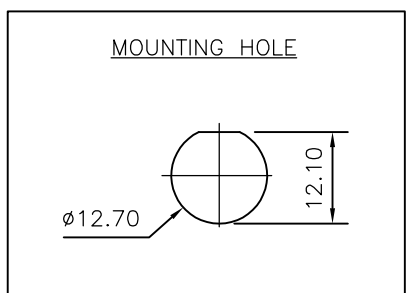
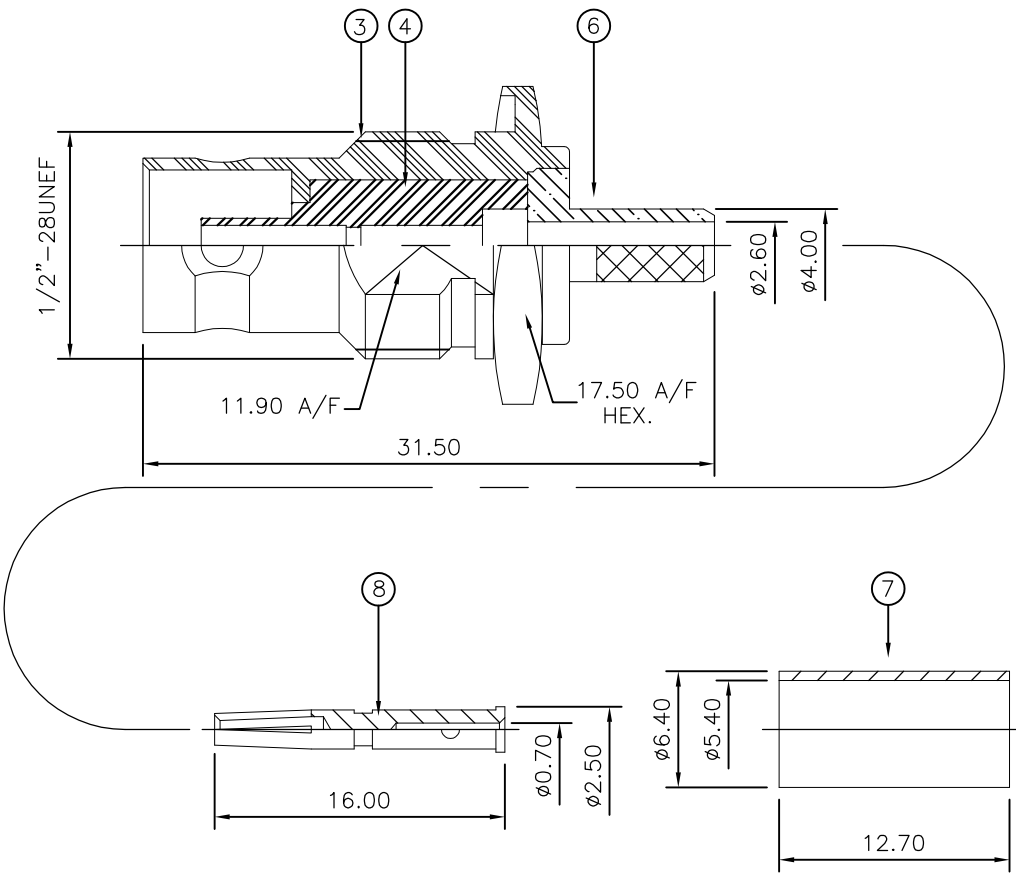
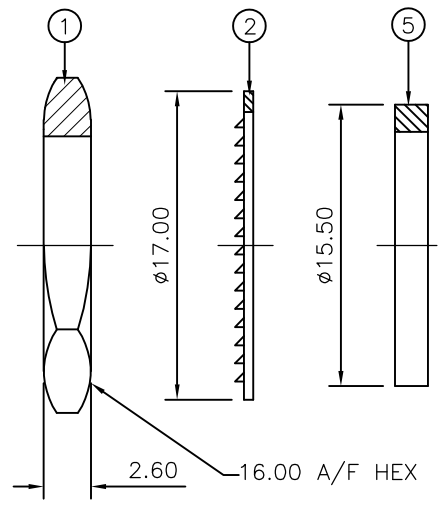


THIS DRAWING IS UNPUBLISHED. RELEASED FOR PUBLICATION JUNE ,2006.  
 © COPYRIGHT 2006 BY TYCO ELECTRONICS CORPORATION. ALL RIGHTS RESERVED.

LOC	DIST	REVISIONS					
E	B	P	LTR	DESCRIPTION	DATE	DWN	APVD
		C		REVISED PER ECO-09-018312	15AUG2009	AM	BOB

NOTES:

- 1 PACK IN ACCORDANCE WITH AMP SPEC 107-3275
- 2 100 TRAY PACK IN ACCORDANCE WITH AMP SPEC 107-3275
- 3 Au PLATING
- 4 Ni PLATING
- 5 THIS ITEM MUST BE WHITE
- 6 HAND TOOL : 9-1478240-0
- 7 DIE SET : 9-1478242-0
- 8 ELECTRICAL CHARACTERISTICS  
 FREQUENCY RANGE: DC - 2 GHz  
 NOMINAL IMPEDANCE: 75 Ohm  
 INSULATION RESISTANCE: 5000 MOhm  
 WORKING VOLTAGE: 500 Volts RMS at Sea Level  
 DIELECTRIC WITHSTAND VOLTAGE: 1500 Volts RMS Max  
 CONTACT RESISTANCE:  
 CENTRE CONTACT: 1.50 mOhm Max  
 OUTER CONTACT: 0.20 mOhm Max  
 VSWR @ 2GHz: 1.20:1 Max  
 INSERTION LOSS dB @ x 2 GHz: 0.20 Max
- 9 MECHANICAL CHARACTERISTICS  
 COUPLING RETENTION FORCE: N/A  
 CABLE RETENTION FORCE: 170N Min  
 MOUNT NUT RECOMMENDED TORQUE: 4N  
 DURABILITY: 500 Cycles Min
- 10 ENVIRONMENTAL CHARACTERISTICS  
 OPERATING TEMPERATURE: -65 to +165 DegC
- 11 FOR TECHNICAL DATA REFER TO YOUR LOCAL TYCO ELECTRONICS SALES OFFICE
- 12 ALL DIMENSIONS ARE NOMINAL FOR REFERENCE ONLY UNLESS OTHERWISE STATED



OBSOLETE

1	1	BRASS	3	CONTACT	8
1	1	BRASS	4	FERRULE	7
1	1	BRASS	4	CHASSIS	6
1	1	SILICON RUBBER	5	GASKET	5
1	1	PTFE		INSULATION	4
1	1	BRASS	4	BODY	3
1	1	STEEL	4	LOCKWASHER	2
1	1	BRASS	4	HEX NUT	1
6--0	1--0			MATERIAL	
				DESCRIPTION	
				ITEM	

PART REV.: B  
 QUANTITY PER ASSY

PARTS LIST

THIS DRAWING IS A CONTROLLED DOCUMENT.

DIMENSIONS: mm	TOLERANCES UNLESS OTHERWISE SPECIFIED:
0 PLC	± -
1 PLC	± -
2 PLC	± -
3 PLC	± -
4 PLC	± -
ANGLES	± -
FINISH	-

MATERIAL: SEE TABLE

DWN J.SANDWELL 22JUN06  
 CHK S.PARLOW 22JUN06  
 APVD F.WHEELER-KING 22JUN06  
 PRODUCT SPEC  
 APPLICATION SPEC  
 411-3247  
 WEIGHT -

**Tyco Electronics** Tyco Electronics Corporation  
 Bideford EX39 4HE

NAME: BNC BULKHEAD JACK REAR MOUNT CRIMP 75 OHM BT2002

SIZE	CAGE CODE	DRAWING NO	RESTRICTED TO
A3	00779	C-1478098	-

CUSTOMER DRAWING SCALE NTS SHEET 1 OF 1 REV C